

**Saeco**  
Vending

**SUP016R**

**RI9924/01-02-03**  
**RI9924/04-05-06**



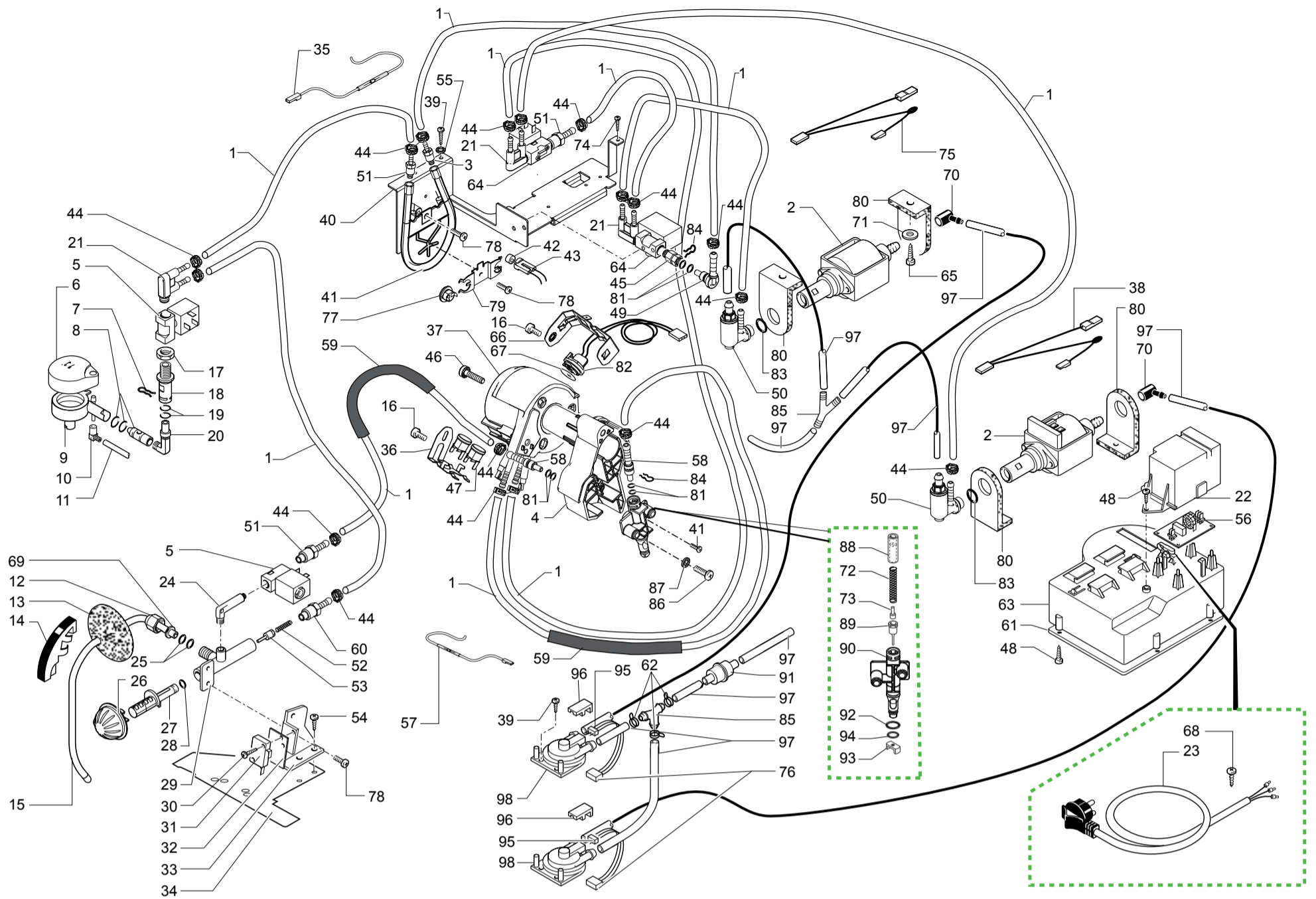
**Cod.10003682-86-98**  
**Cod.10003712-14-10**

POS	CODE	DESCRIPTION	NOTE	POS	CODE	DESCRIPTION	NOTE
01	0314.836	CONNECTOR 4 POLES CUPWARMER ASSY.		44	0312.013.050	PLUG FOR SCREW HOLE BLACK	
02	NF18.001	PLATE FOR PIN D.3,2		45	0354.001.770	LID CAPPUCCINO	
03	0347.011.050	FIDEX SLEEVE		46	0301.019	PEG FOR DOOR SUPERAUTOM.	
04	JS01.005	SILICONE TUBE 5X8 BROWN	IN ROLL	47	0301.020	PIN FOR DOOR SUPERAUTOMATICA	
05	0347.006.710	MOBILE DISPENSER CASING GREY		48	9161.140	SEAL FOR UNIT PLATE	
06	NM02.010	OR ORM 0050-20 TERMOIL		49	147623150	BLACK SQUARE ADHESIVE FOOT 5023	
07	0347.005.710	FIXED CASING DISPENSER BLACK		50	0301.041.150	UNIT SUPPORT PLATE GREY	
08	0347.A02.710	WHOLE MESH GREY UPPER DISP.RAL 7021		51	0301.046.230	WATER TANK ASS. SUPERAUTOM.	
09	0347.A05.710	WHOLE MESH GREY LOWER DISP. RAL7021		52	20006540	KIT RIC.COP.CAF.ARG+COP.ACQ.ARG.ROYAL	
10	0347.A03.710	DISPENSER ASS. GREY RAL 7021		53	NM01.032	RED SILICONE OR ORM 0060-30	
11	0301.033.150	TANK CASING GREY		54	9161.110	SPRING FOR PISTON FOR SUPERAUTOM.	
12	129670202	TCB PANELVIT SCREW 3,5X16 TESTA D=8 ZNP		55	147660562	GREY WATER VALVE CONTAINER PISTON	
13	0347.009.430	CHROMATE GRID FOR TANK		56	9161.050.230	NAT/TRANSP.CAP FOR FLOATING SPACE MAGIC	
14	0347.013.970	RED BALL FLOAT		57	9161.112.150	LEVEL FLOAT GREY	
15	0347.004.430	CHROMATE DISPENSER COVER		58	0313.001.710	DOOR ASS. ROYAL GREY RAL 7021	
16	0314.022.710	GREY DRIP TRAY		59	0313.012.710	DOOR COVER S/SCREEN GREY	
17	0312.016.050	RUBBER TUBE HOLDER BLACK		60	0301.040.150	DOOR CLOSURE LEVER GREY	
18	0312.015.66A	CLEAR/GREY CUPWARMING PLATE ASSY.	230V	61	U433.001	NAIL 2X06 UNI 7591 BURN.	
19	0312.014	CUPWARMER SEAL		62	0301.039.710	7021/GREY DOOR CLOSURE KNOB	
20	0312.017	TUBE FOR CASING LID		63	13000873	AVANA EXTERNAL BOX ROYAL CAPP/PROF	
21	U201.005	PLAIN WASHER 4,3X12 DIN 7349 GAL		64	0314.906	TECHMATE RIGHT UPPER INSERT	
22	129573202	SCREW TCB TORX 20 M4X8 AUTOFORMING ZN-B		65	0314.905	TECHMATE RIGHT LOWER INSERT	
23	0327.036	GENERAL SWITCH PROTECTION		66	21001404	ACC SAE BRITA UNI.WAT.FILTERX1	EUR-ASIA
24	U043.012	SCREW TCB TORX 20 M4X6 ZN-B		67	0354.951	INSTR.MANUAL ROYAL CAPPUCCINO REDES.D	
25	NE03.038	BIPOLAR SWITCH FUSIT C1250AR			0354.953	INSTR.MANUAL ROYAL CAPPUCCINO REDES.I	
26	11025914	7021/GREY CASING WITH SLOTS V2 ASSY.			0354.954	INSTR.MANUAL ROYAL CAPPUCCINO REDES.F	
27	U110.005	SCREW AUT.TCB 3,9X9,5 DIN 7981 F			0354.955	INSTR.MANUAL ROYAL CAPPUCCINO REDES.GB	
28	11025951	7021/GREY DUMP BOX V2			0354.956	INSTR.MANUAL ROYAL CAPPUCCINO REDES.E	
29	0301.048.150	ROTATING RING GREY			0354.957	INSTR.MANUAL ROYAL CAPPUCCINO REDES.P	
30	9991.096	ADHESIVE FOOT 8X15X3,2			0354.958	INSTR.MANUAL ROYAL CAPPUCCINO REDES.NL	
31	NE15.003	MALE TONGUE PLAIN 6,3 D.5,2			15002514	INSTR.MANUAL ROYAL CAPPUCCINO REDES.KOR	
32	128310402	GALV.WASHER UNI 8842 A4			15002672	INSTR.MANUAL PR ROYAL CAPP REDES.FRA	
33	0360.024.050	CAP FOR BODY			15002673	INSTR.MANUAL PR ROYAL CAPP REDES.ENG	
34	0701.031.150	GREY GACO DIM 14 SEAL COVER		68	127390100	BRUSH FOR CLEANING	
35	145842900	WATER CONTAIN.VALVE GACO DIM 14 SEAL		69	146680659	GREY MEASURE WITH HOLE	
36	12000895	SCREW TSP TORX 10 3X10 PLAST.SS		70	11005044	SAECO KLUBER TRIBOSTAR SIL 2 TUBE 5GR.	
37	0701.014.150	GREY GACO DIM 14 SEAL CONTAINER		71	0314.907	TECHMATE LEFT UPPER INSERT	
38	140320461	OR ORM 0080-20 IN TERMOIL		72	0314.909	DRIP TRAY BOX	
39	129913202	SCREW TCB TORX 10 3X8 PLAST.ZN-B		73	0330.906	SPACER IN POLYSTYRENE	
40	0314.904	TECHMATE LEFT LOWER INSERT					
41	0329.006.230	COFFEE CONTAINER					
42	129512921	SCREW TCB TORX 10 AB 2,9X13 SHEET SS					
43	0313.008.770	SILVER DOSER LID DIGITAL					

**Saeco**  
Vending

**PR ROYAL CAPPUCCINO**

TABLE 1/5



SUP016R

RI9924/01-02-03  
RI9924/04-05-06



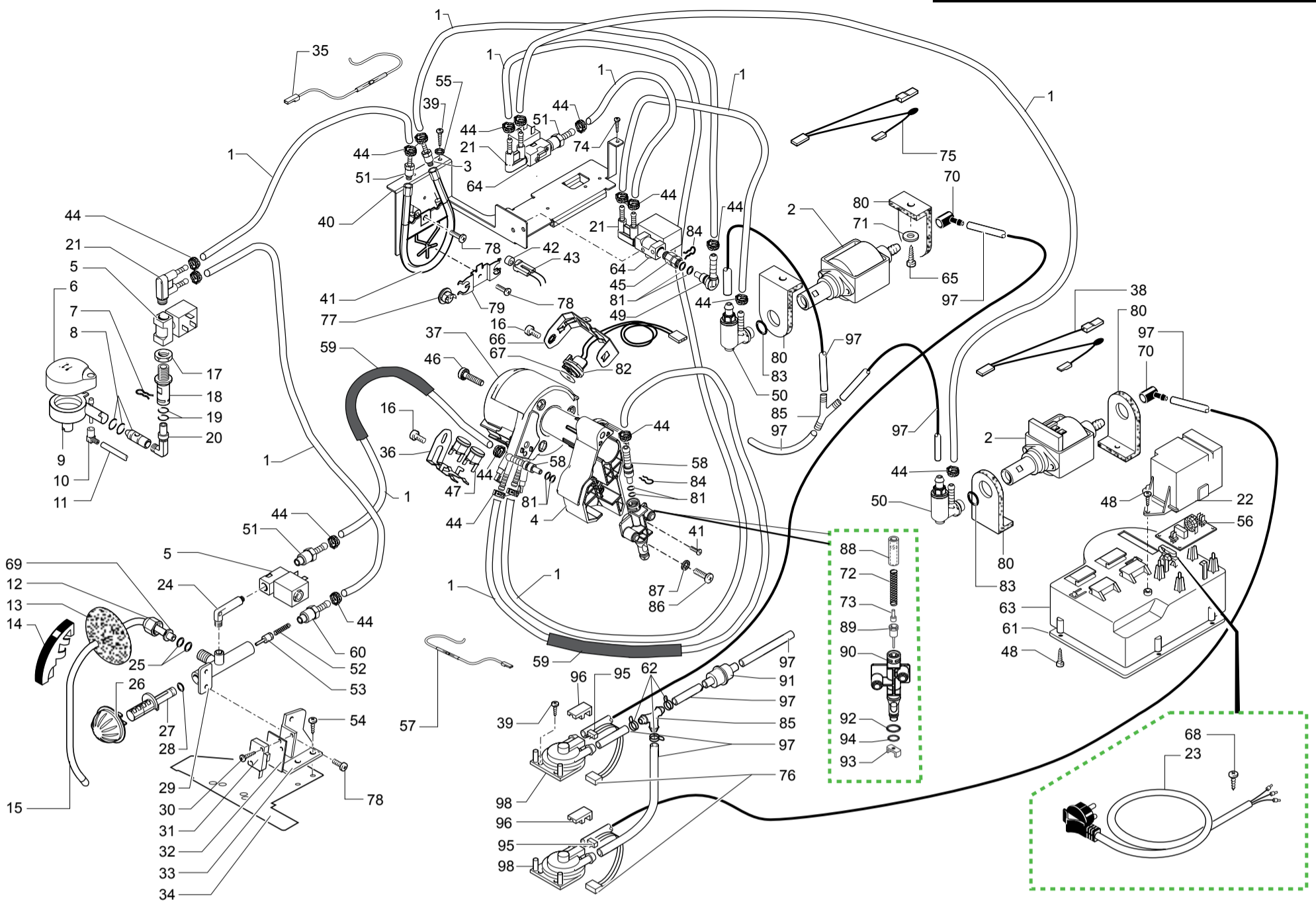
Cod.10003682-86-98  
Cod.10003712-14-10

POS	CODE	DESCRIPTION	NOTE	POS	CODE	DESCRIPTION	NOTE
01	16000380	5X8,9 SILICONE TUBE	IN ROLL	37	11004667	V5 TUB.BOILER W/ADDIT.RESIST.1100W 230V	
02	12000140	ULKA PUMP EP5/S GW	230V-50HZ	38	0314.820	CONNECTOR 3POLES 1st SYSTEM ASSY.	
	12000182	ULKA PUMP EP5/S GW	220V-60HZ	39	U110.004	screw AUT.TCB 3,5X6,5 DIN 7981 F	
	12000167	ULKA PUMP EP5/S GW	240V-50HZ	40	0354.006	BRACKET FOR PUMP 2	
03	11010261	TEA/BRASS INLET CONNECTOR BOILER		41	11010390	BLECKMANN BOILER V2 PROFESS.ASSY.	230V
04	11010338	BLACK TUBOL BOILER SUPPORT V2 FOR ROYAL		42	11004424	ALUM.SPACER FOR PHILIPS SENSOR M5000	
05	11008569	SOLE.N.VALVE 15VA 2 WAY 1/8" FEM.TEA	230V	43	9019.A72	SENSOR ASS. ROYAL 230V	
06	0314.018.710	COVER FOR CAPPUCCHINA. PAINTED GREY		44	12000892	OETIKER CLAMP D=9,5 16700004	
07	9161.135	SPRING FOR STEAM FAUCET		45	11008875	TEA/BRASS CONNECTOR 1/8" FOR TUBE D=4	
08	142270200	TUBE+W/O RETAIN.CAPPUCCHINATORE +/2OR		46	129932202	ROUND HEAD SCREW 10.9 M5X20 GALV	
09	142520150	CAPPUCCHINATORE AS.NEUTRAL BLACK		47	189428200	THERMOSTAT 175° 1NT-08L-3794	
10	9991.122.050	CONN. FOR CAPPUCCHINATORE BLACK		48	129670202	TCB PANELVIT SCREW 3,5X16 TESTA D=8 ZNP	
11	9972.045	SILICONE TUBE 3,5X6 L.350 MM		49	11006501	BLACK CONNECT.FAST LOCK 90° SILIC.TUBE	
12	9161.438	NUT FOR STEAM TUBE		50	11004689	TEA/BRASS SAFETY VALVE 16-18 BAR ASSY.	
13	9161.058.150	INTERNAL PROTECTION FOR TUBE GREY		51	11006304	TEA/BRASS CONNECTOR FOR ALUM.BOILER	
14	9161.055.710	HANDGRIP FOR ST. TUBE GREY		52	126765317	STEEL SPRING BOILER PISTON MAGIC	
15	11004225	STAINLESS STEEL STEAM TUBE ROYAL ASSY.		53	11009018	TEA/BRASS PISTON L=15,1 ASSY.	
16	129573202	SCREW TCB TORX 20 M4X8 AUTOFORMING ZN-B		54	U110.013	screw AUT.TCB 3,9X6,5 DIN 7981 F	
17	U303.002	nut HEXAGONAL M12X1,25UNI 5589		55	128310521	WASHER UNI 8842 A5 SS	
18	11008452	TEA/BRASS SUPPORT FOR 90°CONNECTOR		56	0314.804	FILTRATION CARD 12A	
19	NM02.007	OR 2025 TERMOIL		57	0354.809	CABLE 1WIRE SILIC.BLUE TH/FUSE 192"	
20	11008451	TEA/BRASS 90°CONNECT.FOR CAPPUCCHINATORE		58	11000750	TEA/BRASS CONNECTOR FOR SILICONE TUBE	
21	11010243	TEA/BRASS 90° DOUBLE CONNECTOR		59	16000540	TRANSPAR.10,5X12,3 SILICONE TUBE	IN ROLL
22	9161.126.150	COVER FOR FILTER CARD GREY		60	11011243	TEA/BRASS CONNECTOR FOR FAUCET	
23	NE01.120	BLACK POWER CABLE SCHUKO L=1500		61	0301.055.150	LID FOR POWER CABLE CONT. GREY	
	NE01.114	POWER CABLE AUSTRALIA		62	NV99.087	BAND D=11/11,6	
	NE01.115	CABLE TW 3 POLE 230V		63	0301.056.150	POWER CABLE CONT. VDE GREY	
	NE01.129	BLACK POWER CABLE RVV 3X1 CHINA L=1500		64	11008573	SOLE.N.VALVE 15VA 2W.1/8"FEM.DN3 TEA	230V
	11001845	BLACK POW.CABLE KOREA H05VV-F 3X1 L=1600		65	U110.003	SCREW AUT.TCB 3,5X9,5 DIN 7981 F	
24	11008453	TEA/BRASS 90°CONNECTOR FOR FAUCET EV.		66	126838017	SENSOR FIXING SPRING	
25	140324461	OR ORM 0060-20 IN TERMOIL		67	145951600	ELECTRIC INSULATING DISK D=16	
26	0347.017.710	GREY STEAM KNOB RAL 7021 SERIG.		68	U140.009	PANELVIT TCB 3,0X16 DIN 7505 B GAL	
27	9161.057	STEAM FAUCET ROD		69	9161.440	SCRAPER FOR STEAM TUBE	
28	140321461	OR 2018 IN EPDM		70	147920150	90° INLET PUMP CONNECTOR	
29	11009006	TEA/BRASS FAUCET BODY		71	U207.004	PLAIN WASHER 4,3X16 UNI 6592 GAL	
30	U109.027	SCREW TCB TORX 10 AB 2,9X19 SHEET SS		72	9011.132	SS SPRING FOR PIN	
31	NE05.013	MICROSWITCH SAIA XGK52-81-J23		73	11009013	TEA/BRASS PIN FOR PISTON L=10	
32	11009072	INSULATE PROTECTION 24X38,8 FOR MICRO		74	129512503	SCREW TCB 2,9X9,5 DIN 7981 NICK	
33	0312.011	STEAM FAUCET BRACKET		75	0354.804	CONNECTOR ASS.3 POLES WITH THERMO. 100°	
34	11000839	BLACK CLOSURE PLATE		76	0347.817	CONNECT.3 POLES TURBINE ASSY.	
35	0334.822	CABLE 1 WIRE SILIC.WHITE TH/FUSE 216"		77	NE09.006	THERMOSTAT 170°NC FAST. 90°+WASHER	
36	126838117	2 THERMOSTATS FIXING SPRING		78	U046.003	SCREW TCB TORX 20 M4X12 ZN-B	
				79	9011.187	THERMOSTAT RETAINING SPRING	



PR ROYAL CAPPUCCHINO

TABLE 2a/5



SUP016R

RI9924/01-02-03  
RI9924/04-05-06



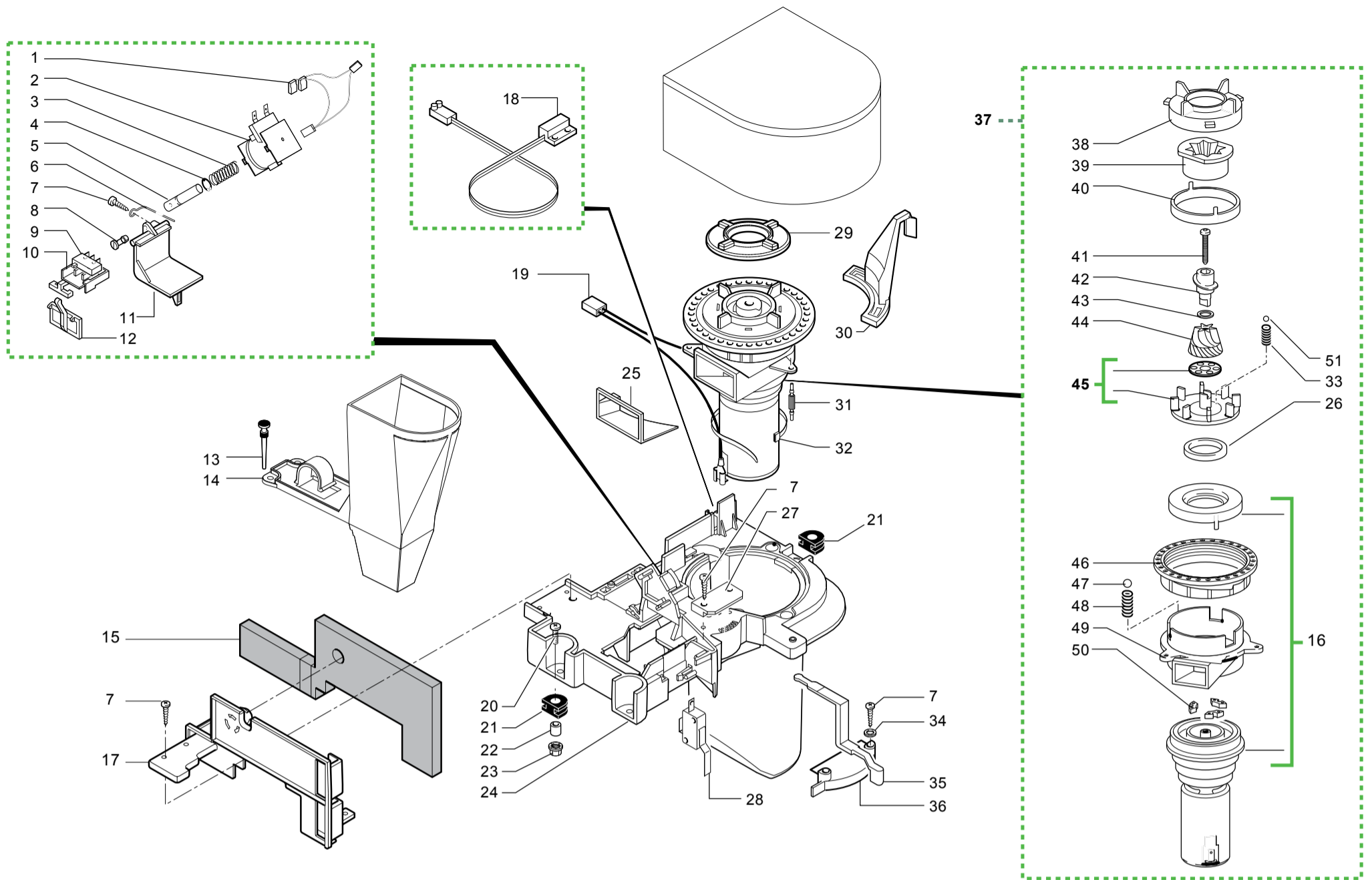
Cod.10003682-86-98  
Cod.10003712-14-10

POS	CODE	DESCRIPTION	NOTE	POS	CODE	DESCRIPTION	NOTE
80	11001302	BLACK PUMP SUPPORT W/LOCKING P124.					
81	140328059	OR 2015 IN SILICONE PTFE/FDA					
82	288582300	SENSOR ELECT.BOARD WITH CONNECTOR ASSY.					
83	140321961	OR 2031 IN TERMOIL					
84	9011.144	SS FORK FOR TUBE D.4					
85	147920800	Y CONNECTOR D=8 ART.80.26.048 KA.466					
86	11003555	GALVANIZED SELF-TAPPING SCREW 4,8X32					
87	128310321	WASHER UNI 8842 A3 SS					
88	11009012	TEA/BRASS BOILER PIN BUSH					
89	11009019	TEA/BRASS PISTON L=20,9 ASSY.					
90	9161.434	HOT WATER PIN					
91	144650300	ASPIRATION FILTER GAUZE NET 500 (NEW)					
92	NM01.035	OR ORM 0090-20 SILICONE					
93	11005099	CURSOR V2 FOR BOILER P119					
94	NM01.057	OR ORM 0050-20 IN SILICONE					
95		PARTICULAR NOT AVAILABLE	SEE PART.N°98				
96	9161.018	BRACKET FOR TURBINE					
97	421944029661	SILICONE TUBE 5X10 70SH	IN ROLL				
98	286473300	-M-VDE TURBINE WITH SENSOR KIT	WITH PART.N°95				
	11010339	BOILER V2 ROYAL CAPP.230V ASSY.	COMPLETE				



PR ROYAL CAPPUCINO

TABLE 2b/5



SUP016R

RI9924/01-02-03  
RI9924/04-05-06

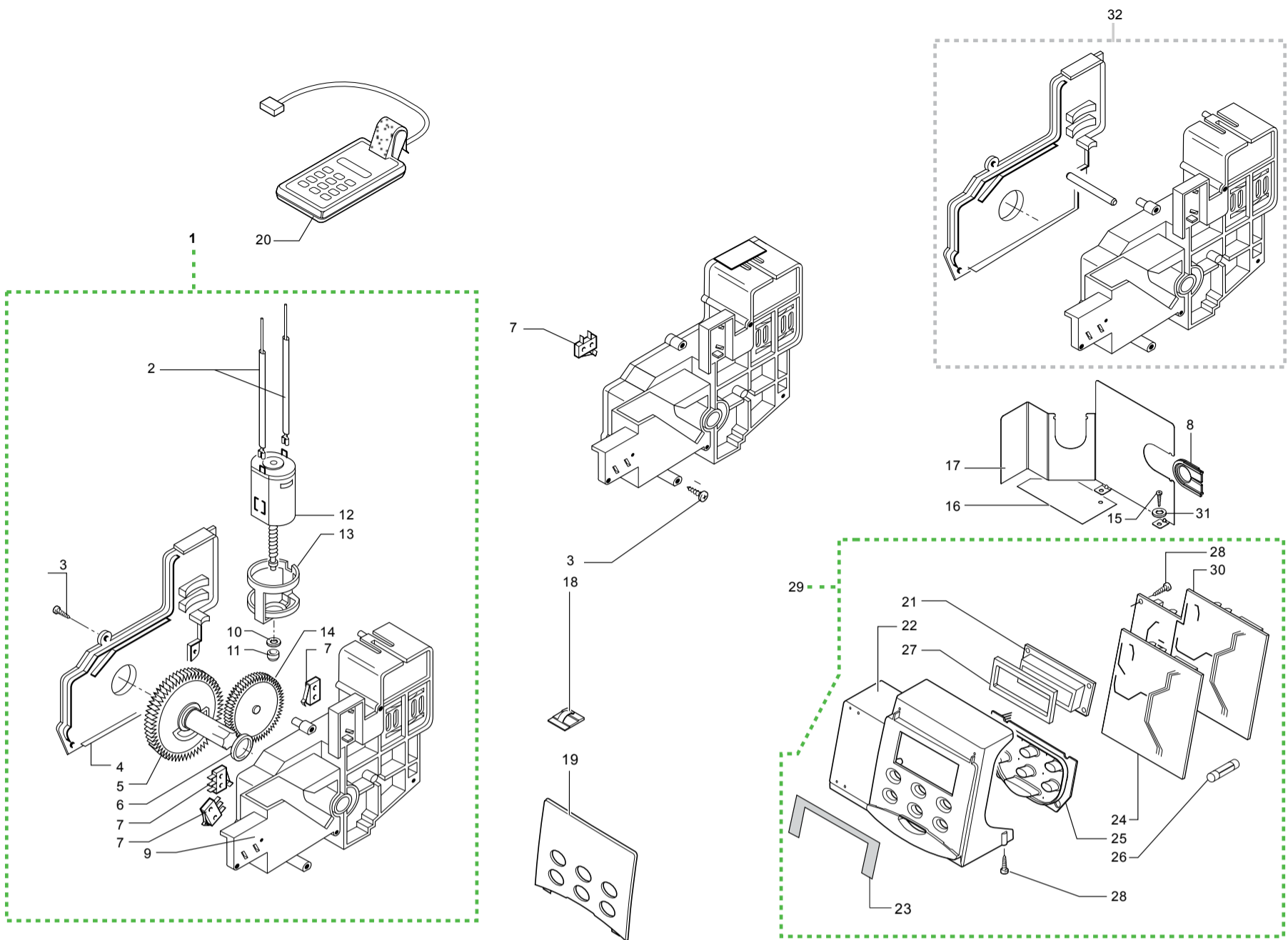


Cod.10003682-86-98  
Cod.10003712-14-10

POS	CODE	DESCRIPTION	NOTE	POS	CODE	DESCRIPTION	NOTE
01	0301.866	CONNECTOR ASS. 2 POLE DOSER COIL		43	U201.002	PLAIN WASHER 10X16X0,2DIN 988 GAL	
02	9129.A21.00A	DOSER COIL FOR SUPERAUTOM.ASSY.	230V	44	226477700	KIT ITAL MILL GRINDERS	WITH PART.N°39
03	126764818	SPRING ELECTROM.BEAN DOSER MAGIC		45	149188750	CONICAL GRIND. SUPP. + RING MAGIC	
04	U701.003	SNAP RING 7 UNI 7434		46	146570950	RING NUT FOR GRINDING ADJUSTMENT MAGIC	
05	9161.041	DOSER ELECTROMAGNET CORE		47	128610421	STAIL.STELL AISI 304 SPHERE D=3,2MM	
06	9161.048	SCRAPER ROD		48	126770117	NEW SPRING SPHERE D=3,2 MOTOR MAGIC	
07	U140.004	PANELVIT TCB 3,0X12 DIN 7505 B GAL		49	9141.080	MOTOR SUPPORT	
08	9161.076.150	DOSER DOOR PIN GREY		50	140230400	SHOCK ABS .CONICAL GRINDER SUPP.MAGIC	
09	NE05.017	MICROSWITCH		51	128610521	STAIL.STEEL AISI 304 SPHERE D=5,5MM	
10	9161.072.150	MICRO SUPPORT CURSOR GREY					
11	9161.074.150	DOSER DOOR GREY					
12	9161.073.150	DOSE CONTROL COMPENSATOR GREY					
13	9161.082	RUBBER COUPLER					
14	9161.223.150	COMPL.HOPP.FOR POWDER COFFEE GRE.					
15	9161.382	INSULATOR FOR COFFEE GRINDER					
16	0301.R10.00A	SPARE MOTOR UNIT MC	230V				
17	9161.366.150	GREY/7016 SUPPORT FOR INSULATOR					
18	0301.811	CONNECTOR 2 POLES LEVEL ASSY.					
19	0301.869	CONNECTOR ASS. 2 POLE COFFEEGRINDE					
20	U043.004	ZN-B TCB SCREW M4X16					
21	9991.005	RUBBER FOR COFFEE GRINDER					
22	9141.003	SPACER FOR RUBBER					
23	U324.006	NUT M4 FLANGED INDENTED BASE					
24	9161.365.150	GREY PLATE FOR COFFEEGRINDER					
25	1505.014	COFFEEGRINDER SEAL					
26	140360200	FELT RING 40X34X5					
27	9161.097.150	LEVER FIXING PLATE GREY					
28	NE05.037	MICROSWITCH					
29	1505.020	GASKET COFFEE GRINDER UL					
30	9161.080.710	GREY LEVER GRINDING SETTING					
31	9991.103	ANTIVIBRATION FOR COFFEEGRINDER					
32	144320200	SELF LOCK STRIP W=2.6 L=200					
33	126765517	STEEL SPRING SPHERE D=5,5 MOTOR MAGIC					
34	U201.001	PLAIN WASHER 3,2X9 DIN 7349 GAL					
35	0313.003.150	ADJUSTMENT LEVER GREY RAL 7016					
36	9161.403.150	7016/GREY COFFEE DOSE ADJUSTMENT SCALE					
37	9140.036.00A	COFFEE GRINDER STD ASSY.	230V				
	9140.035.00A	ASS.MACINACAFFE'ITA	230V				
38	149186150	BLACK UPPER GRINDER SUPPORT MAGIC					
39		PARTICULAR NOT AVAILABLE	SEE PART.N°44				
40	142844550	UPPER GRINDER COVER COFFEE GRIND. MAGIC					
41	129931002	TORX SCREW T10 TCB 3,5X40 SX ZNG					
42	147470763	INCREASE SCREW PIN COFFEE GRINDER MAGIC					



PR ROYAL CAPPUCINO



**Saeco**  
Vending

**SUP016R**

**RI9924/01-02-03**  
**RI9924/04-05-06**



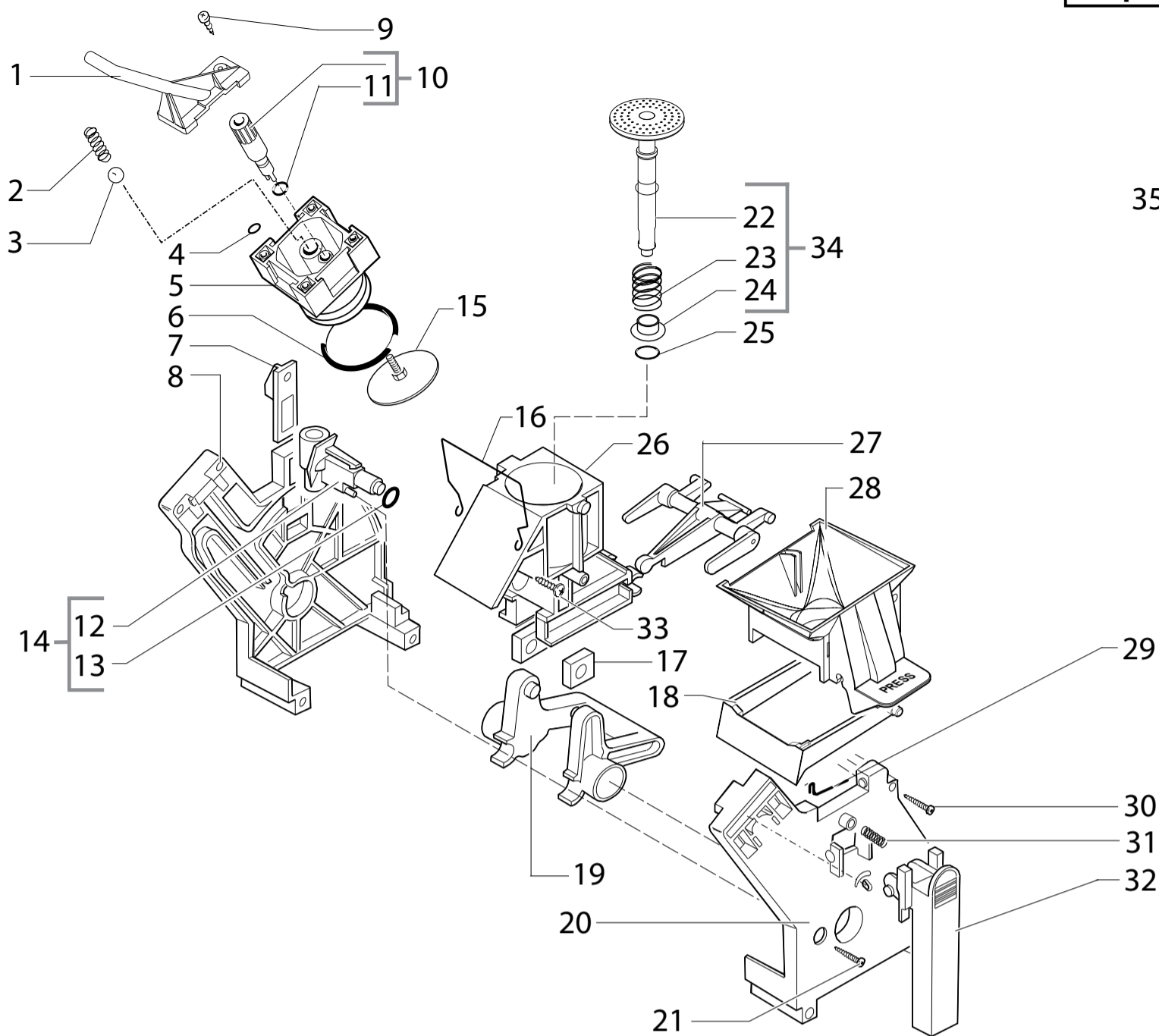
**Cod.10003682-86-98**  
**Cod.10003712-14-10**

POS	CODE	DESCRIPTION	NOTE	POS	CODE	DESCRIPTION	NOTE
01	9120.055.150	RATIOMOTOR ROYAL WITH GREY TUBE ASSY.					
02		<b>PARTICULAR NOT AVAILABLE</b>	SEE PART.N°12				
03	129670202	TCB PANELVIT SCREW 3,5X16 TESTA D=8 ZNP					
04	17000719	GREY RATIOMOTOR LID RYL <b>FROM S/N TV901202001268</b>					
05	9121.069.150	GEAR Z=108 FOR MOUNTING PLATE M4000					
06	9161.368	MYLAR WASHER FOR RATIOMOTOR					
07	NE05.038	MICROSWITCH					
08	9161.429	PASSACAVO GRANDE X SQUADRETTA					
09	11027899	GREY RATIOMOTOR CASING W/DUCT V2 ASSY. <b>FROM S/N TV901202001268</b>					
10	148380200	BAKELIZZATE WASHER D=5,5					
11	9121.046	BRONZE SINTERED BUSH FOR MOTOR					
12	9120.056	GEN.MOTOR FOR RATIOMOTOR ROYAL CAPPUC.ASSY.	WITH PART.N°2,13				
13	9121.044	ANTIVIBRATION FOR MOTOR					
14	9121.042	GEAR Z.12/90					
15	U110.004	SCREW AUT.TCB 3,5X6,5 DIN 7981 F					
16	0360.025	MYLAR GUARD FOR ELECTRONICS					
17	9161.427.050	PROTECTION BRACKET					
18	NE17.002	ADH.CABLE RETAI.ROUND CABLE D=10MM					
19	0354.004.770	SILVER SERIGRAPHED ESCUTCHEON					
20	20000490	KIT PROGRAMMER SERKIT					
21	0347.816	DISPLAY FOR ROYAL REDESIGN					
22	11006458	SILVER ELECTRONICS SUPPORT ROYAL					
23	0347.015	ADHESIVE FOR PACKAGING					
24	0354.807	CPU/TOUCH PANEL CAPPUCCINO STD					
	0354.812	CPU/TOUCH PANEL CAPPUCCINO ITA					
25	0348.801	WHOLE KEYBOARD DIGITAL PLUS					
26	184950400	FUSE T8 AMP.5X20 SAND-BLASTED					
26	184950300	FUSE T32 M.AMP.5X20 DELAYED					
27	149090500	DOUBLE SIDED ADHESIVE STRIP					
28	129913202	SCREW TCB TORX 10 3X8 PLAST.ZN-B					
29	0354.R03.77A	SPARES WHOLE ELECTRONICS					
30	0354.808.00A	POWER CARD CAPPUCCINO 230V					
31	128310404	WASHER UNI 8842 A4 BURNISHED					
32	20007052	SPARES KIT GEARS FOR RATIOMOTOR RYL <b>UP TO S/N TV901202001267</b>					

**Saeco**  
Vending

**PR ROYAL CAPPUCCINO**

TABLE 4/5



**Saeco**  
Vending

**SUP016R**

**RI9924/01-02-03**  
**RI9924/04-05-06**



**Cod.10003682-86-98**  
**Cod.10003712-14-10**

POS	CODE	DESCRIPTION	NOTE	POS	CODE	DESCRIPTION	NOTE
01	11003789	BLACK COFFEE OUTLET SLEEVE					
02	9161.222	SS.CONICAL SPRING					
03	421944034451	BOROSILICATE SPHERE D.5 MM					
04	11021334	BLK COUNTERPISTON SEAL DE=11 DI=8 SP=1,5					
05	11003796	BLACK COUNTERPISTON FOR COFFEE UNIT					
06	NM01.044	OR ORM 0320-40 IN SILICONE PTFE/FDA					
07	11004114	BLACK PLATE FOR UNIT COUPLING					
08	11003792	BLACK REAR PLATE FOR UNIT					
09	U140.019	SCREW TCB TORX 10 3X16 PLAST SS					
10	227470150	PIN BLACK ASS.FOR PERCOLATOR					
11	NM02.006	OR R5 TERMOIL					
12	9161.064.050	BLACK WATER INLET SLEEVE BREW UNIT					
13	NM02.007	OR 2025 TERMOIL					
14	20000440	BLACK WATER INLET SLEEVE BREW UNIT ASSY.					
15	9160.075	PERCOLATOR DE=35,8 ELFO ASSY.					
16	11001556	SPRING H=49 FOR COFFEE BREW UNIT SMART					
17	9161.094.050	BLACK DRILLED BLOCK BREW UNIT					
18	11004161	BLACK SCRAPER FOR COFFEE UNIT					
19	9161.066.050	ELBOW SHAFT FOR UNIT BLACK					
20	11003793	BLACK FRONT PLATE FOR UNIT					
21	12000550	SCREW TCB TORX 10 3X25 PLAST.SS					
22	11003077	BLACK 8GR.BREW UNIT INTEGR.PISTON ASSY.					
23	9161.198	SS.8GR.BREW UNIT PISTON SPRING					
24	9161.191	WHITE 8GR.-12GR.BREW UNIT PISTON BUSH					
25	NM02.018	OR ORM 0090-25 TERMOIL					
26	11003075	BLACK COFFEE CONTAINER BREW UNIT P124	WITH PART.N°25				
27	11003078	BLACK CONNECTING ROD FOR UNIT 8GR.					
28	11003795	BLACK HOPPER FOR UNIT W/SILKSCREEN PRESS					
29	9161.046	SPRING FOR UNIT SCRAPER					
30	12000897	SCREW TCB TORX 10 3,5X20 PLAST.SS					
31	9161.045	SPRING FOR UNIT HANDGRIP					
32	11003791	BLACK HANDGRIP FOR COFFEE UNIT					
33	129912521	SCREW TCB TORX 10 3,5X14 PLAST.SS					
34	11023086	BLK 8GR.BREW UNIT NTEGR.PISTON GEN.ASSY.					
35	11003800	BLACK BREW UNIT MAGIC/ROYAL					

**Saeco**  
Vending

**PR ROYAL CAPPUCINO**

TABLE 5/5