

# New Royal OTC

230V - 50Hz



IT Italiano  
EN English  
FR Français  
DE Deutsch  
ES Español

(IT)

## SOMMARIO

|                |                                 |                                |
|----------------|---------------------------------|--------------------------------|
| <b>Tav. 01</b> | Telaio / Estetica               | Marco / estética               |
| <b>Tav. 02</b> | Impianto elettrico              | Instalacion eléctrica          |
| <b>Tav. 03</b> | Elettrovalvole/Caldaie          | Válvula de solenoide/Calderas  |
| <b>Tav. 04</b> | Circuito Idráulico              | Circuito idráulico             |
| <b>Tav. 05</b> | Coperchio superiore/Contenitori | Cubierta superior/Contenedores |
| <b>Tav. 06</b> | Macinacaffè                     | Molinillo de café              |
| <b>Tav. 07</b> | Motoriduttore                   | Motorreductor                  |
| <b>Tav. 08</b> | Gruppo caffè                    | Grupo de café                  |

(EN)

## INDEX

|                |                         |                                  |
|----------------|-------------------------|----------------------------------|
| <b>Tav. 01</b> | Frame / aesthetics      | Cadre / esthétique               |
| <b>Tav. 02</b> | Electric system         | Installation électrique          |
| <b>Tav. 03</b> | Solenoid Valves/Boilers | Electrovannes/Chaudières         |
| <b>Tav. 04</b> | Hydraulic System        | Circuit hydraulique              |
| <b>Tav. 05</b> | Top cover/Containers    | Couverture supérieure/Conteneurs |
| <b>Tav. 06</b> | Grinder                 | Moulin à café                    |
| <b>Tav. 07</b> | Gearmotor               | Motoréducteur                    |
| <b>Tav. 08</b> | Coffee Group            | Groupe de café                   |

(FR)

## INDEX

|                |                          |                          |
|----------------|--------------------------|--------------------------|
| <b>Tav. 01</b> | Rahmen / Ästhetik        | Rahmen / Ästhetik        |
| <b>Tav. 02</b> | Schaltbrett              | Schaltbrett              |
| <b>Tav. 03</b> | Solenoidventile/Kessel   | Solenoidventile/Kessel   |
| <b>Tav. 04</b> | Wasser Leitung           | Wasser Leitung           |
| <b>Tav. 05</b> | Obere Abdeckung/Behälter | Obere Abdeckung/Behälter |
| <b>Tav. 06</b> | Kaffeemühle              | Kaffeemühle              |
| <b>Tav. 07</b> | Getriebemotor            | Getriebemotor            |
| <b>Tav. 08</b> | Kaffeegruppe             | Kaffeegruppe             |

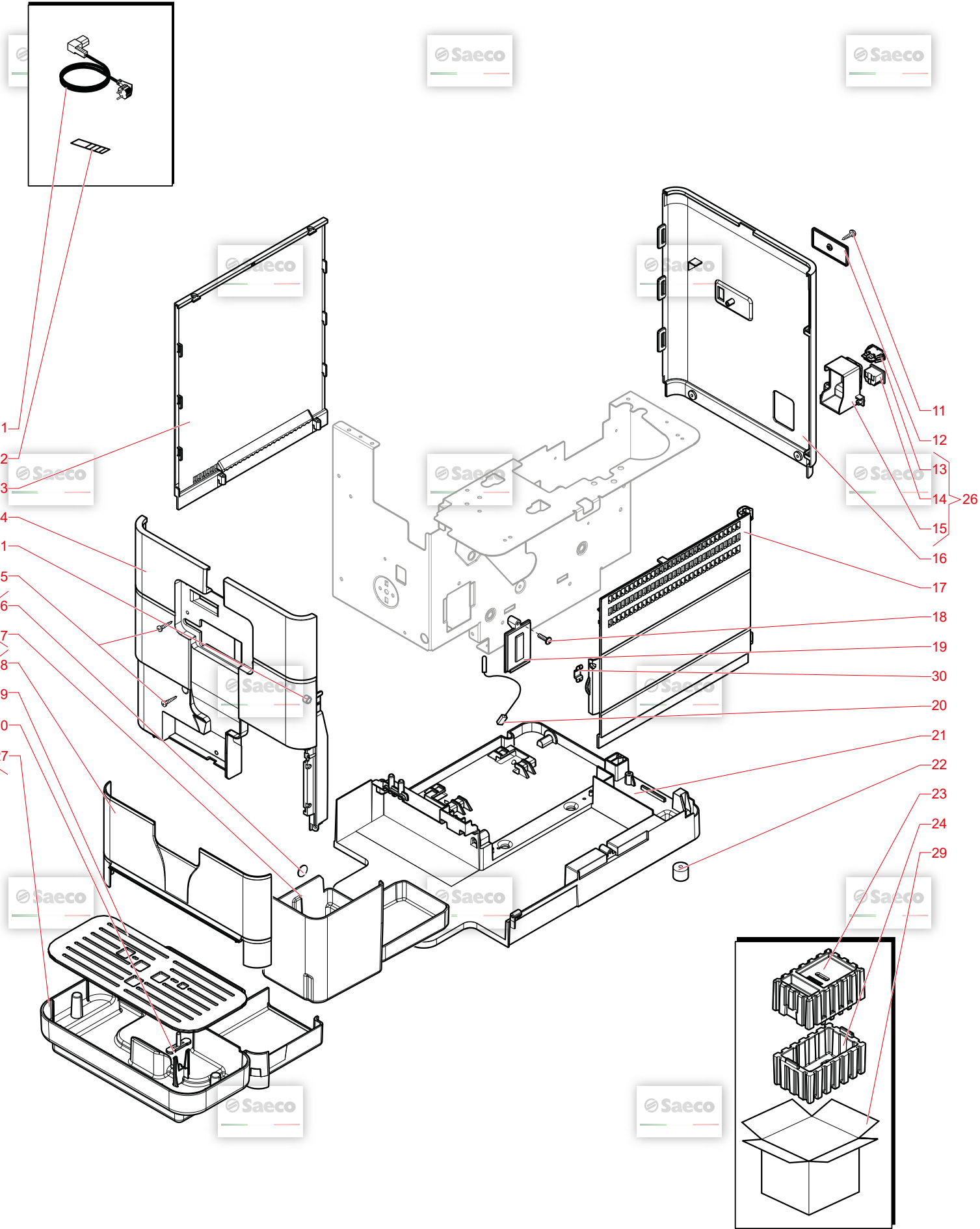
(DE)

## VERZEICHNIS

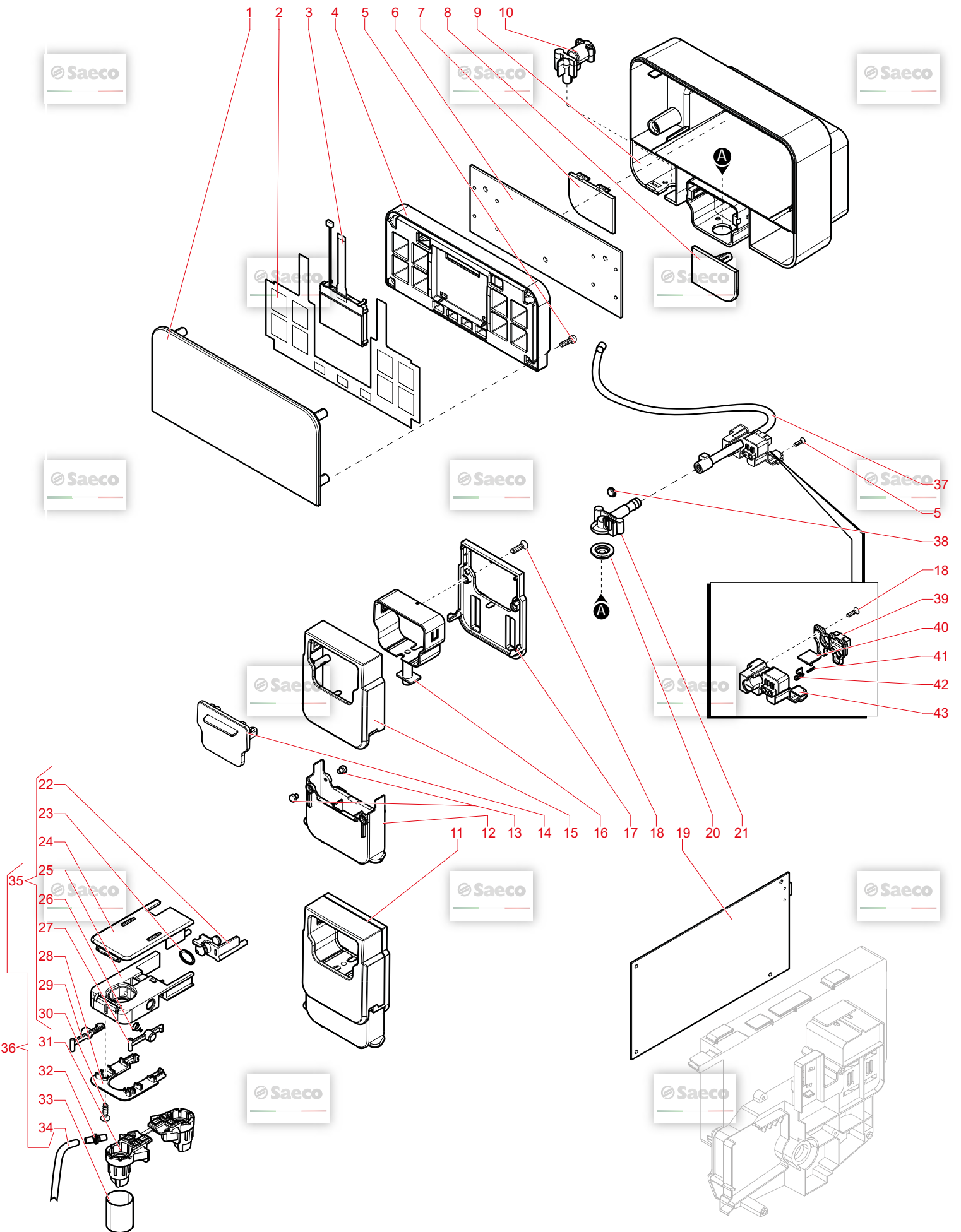
|                |                                |                                |
|----------------|--------------------------------|--------------------------------|
| <b>Tav. 01</b> | Marco / estética               | Marco / estética               |
| <b>Tav. 02</b> | Instalacion eléctrica          | Instalacion eléctrica          |
| <b>Tav. 03</b> | Válvula de solenoide/Calderas  | Válvula de solenoide/Calderas  |
| <b>Tav. 04</b> | Circuito idráulico             | Circuito idráulico             |
| <b>Tav. 05</b> | Cubierta superior/Contenedores | Cubierta superior/Contenedores |
| <b>Tav. 06</b> | Molinillo de café              | Molinillo de café              |
| <b>Tav. 07</b> | Motorreductor                  | Motorreductor                  |
| <b>Tav. 08</b> | Grupo de café                  | Grupo de café                  |

(ES)

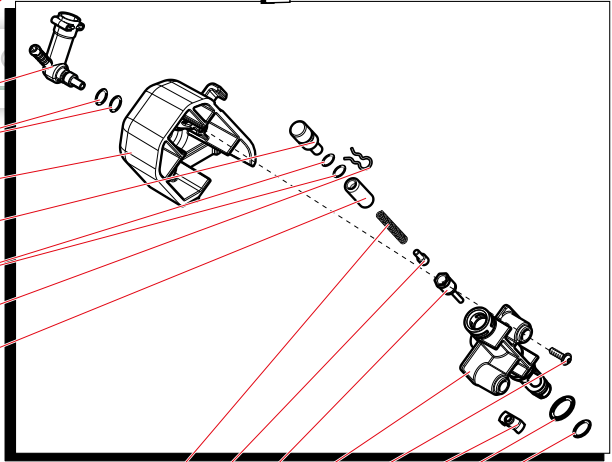
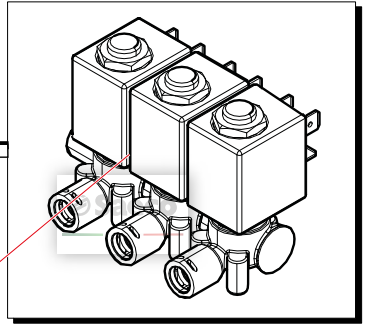
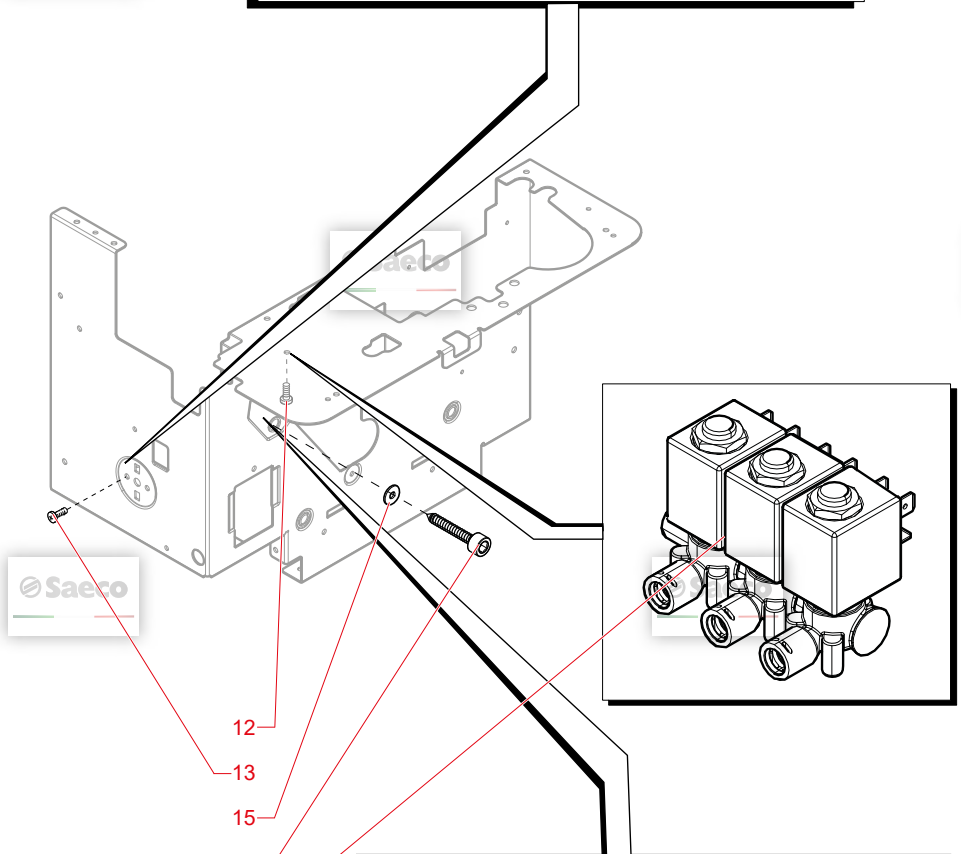
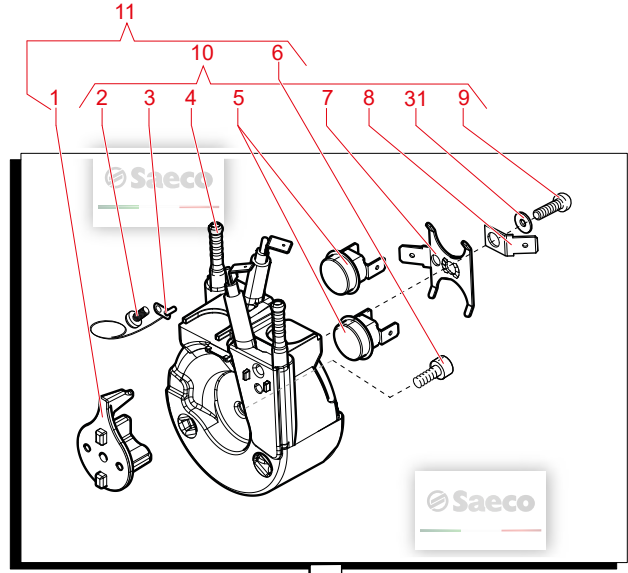
## INDICE



| N.POSI | COD          | I - DESCRIZIONE                                    | UK - DESCRIPTION                                    | F - DESCRIPTION                       | D - BEZEICHNUNG                       | E - DESCRIPCION                                      | NOTE               |
|--------|--------------|--|---|---------------------------------------|---------------------------------------|--|--------------------|
| 1      | 18391050     | I- DESCRIZIONE:<br>CAVO AL. SCH.3X1 H05VV-F NER.L= | UK - DESCRIPTION<br>BLACK POWER CABLE SCHUKO L=1200 | F - DESCRIPTION<br>CABLE ALIMENTATION | D - BEZEICHNUNG<br>NETZANSCHLUSSKABEL | E - DESCRIPCION<br>CAVO AL. SCH.3X1 H05VV-F NER.L=12 | Numero serie lotto |
| 2      | 0301.961     | STICKER TEST DUREZZA ACQUA                         | STICKER FOR WATER HARDNESS TEST                     | TEST DE DURETE D'EAU                  | Teststreifen für Wasserhärte          | STICKER TEST DUREZZA ACQUA                           |                    |
| 3      | 263673       | FIANCO SINISTRO                                    | LEFT SIDE   | JOUE LATERALE DE GAUCHE               | LINKES SEITENTEIL                     | COSTADO IZQUIERDO                                    |                    |
| 4      | 263670       | FRONTALE   | FRONT PANEL   | FRONTAL                               | FRONTVERKLEIDUNG                      | FRONTAL  |                    |
| 5      | 12001715     | VITE TCB M4X8 AUTOFORMI.S/TEST.                    | SCREW TCB TORX 20 M4X8 AUTOFORMI                    | VIS CB TORX 20 M4X8 AUTOFORMING       | TORXSCHRAUBE 4X8                      | SCREW TCB TORX 20 M4X8 AUTOFORMI                     |                    |
| 6      | 9991.093     | MAGNETE D=9,5 X H=1,5                              | MAGNET D=9.5 X H=1.5                                | AIMANT BAC A MARC MAGIC               | Magnetscheibe d=9,5mm h=1,5mm         | MAGNETE D=9,5 X H=1,5                                |                    |
| 7      | 263666       | CASSETTO FONDI                                     | GROUNDNS DRAWER                                     | TIROIR À MARCS                        | KAFFEESATZKASTEN                      | CAJÓN DE POSOS                                       |                    |
| 8      | 263665       | MOSTRINA RECUPERO LIQUIDI                          | LIQUID SURROUND                                     | MASQUE RÉCUPÉRATION LIQUIDES          | BLENDE FLÜSSIGKEITENAUSGABE           | MARCO RECUPERACIÓN LIQUIDOS                          |                    |
| 9      | 263665       | GRIGLIA  | RACK  | GRILLE                                | GITTER                                | REJILLA  |                    |
| 10     | 17000991     | GALLEG.VASCA REC.ACQ.V2 RYL RO                     | RED FLOAT V2 FOR DRIP TRAY RYL                      | FLOTTEUR BAC EAUX USEES ROUGE         | RED FLOAT V2 FOR DRIP TRAY RYL        | GALLEG. VASCA REC. ACQ. V2 RYL ROS.                  |                    |
| 11     | 29914102     |  |   |                                       |                                       |  |                    |
| 12     | 263672       | COPERTURA PRESA USB                                | USB SOCKET COVER                                    | COUVERTURE PRISE USB                  | ABDECKUNG STECKDOSE USB               | CUBIERTA TOMA USB                                    |                    |
| 13     | 242212625107 | INT.BI.POL.BASCULA IO NER.                         | SWI POW 2P 16A 250V FASTON IEC 1                    | SWI POW 2P 16A 250V FASTON IEC 1      | SWI POW 2P 16A 250V FASTON IEC 1      | SWI POW 2P 16A 250V FASTON IEC 1                     |                    |
| 14     | 12001883     | PRESA A VASCH.C/SMUSSI V3 EN 6                     | CUP SOCKET V3 EN 60320 C.13                         | SOCLE DE PRISE                        | CUP SOCKET V3 EN 60320 C.13           | PRESA A VASCH.C/SMUSSI V3 EN 603                     |                    |
| 15     | 17000162     | SUPP.PRESA E INTERRUT.RYL NER.                     | BLACK SOCKET-SWITCH SUPPORT RYL                     | SUPPORT PRISE INTERRUPTEUR            | Support Stecker und Schalter sch      | SUPP.PRESA E INTERRUT.RYL NER.                       |                    |
| 16     | 263671       | SCHIENALE  | BACKBOARD   | PANNEAU ARRIERE                       | RÜCKWAND                              | RESPALDO   |                    |
| 17     | 263675       | PORTA ESTR.GRUP.                                   | GR. REM. DOOR                                       | PORTE EXTR. GROUP.                    | HALTERUNG AUSZUG GRUP.                | PUERTA DCHA.GRUP.                                    |                    |
| 18     | 12000450     | VITE.TCBR 3.5X12 PLAST.ZN-N                        | SCREW TCBR TORX 10 3.5X12 PLAST.                    | VIS TCBR TORX 10 3.5X12 PLASTZN       | TORXSCHRAUBE 3.5X12                   | VITE TCBR 3.5X12 PLASTZN-N                           |                    |
| 19     | 17000240     | INS.PIAS.MONTAG.RYL GRI.                           | GREY MOUNTING PLATE INSERT RYL                      | INSERT PLAQUE DE MONTAGE              | GREY MOUNTING PLATE INSERT RYL        | INS.PIAS.MONTAG.RYL GRI.                             |                    |
| 20     | 11003661     | SENS.REED MK3-1A66-BV16451                         | REED SENSOR MK3-1A66-BV16451                        | SENSEUR MK3-1A66-BV16451              | Sensor Restwassermenge                | SENS.REED MK3-1A66-BV16451                           |                    |
| 21     | 263663       | BASAMENTO  | BASE  | BASE                                  | SOCKEL                                | BASE   |                    |
| 22     | 421324705256 | PIEDINO CILINDRICO D=9,5 H=10                      | RY18 TOP BOX INSERT                                 | ÉLÉMENT SUP. BOÎTE RY18               | FOOT                                  | FOOT   |                    |
| 23     | 263877       | INSERTO SUP.SCAT.RY18                              | RY18 BOTTOM BOX INSERT                              | ÉLÉMENT SUP. BOÎTE RY18               | EINSATZ UNTEN VERPACK. RY18           | INSERTO SUP.CAJA RY18                                |                    |
| 24     | 263878       | INSERTO INF.SCAT.RY18                              | RY18 TOP BOX INSERT                                 | ÉLÉMENT SUP. BOÎTE RY18               | EINSATZ UNTEN VERPACK. RY18           | INSERTO INF.CAJA RY18                                |                    |
| 25     | 263879       | ASS. VASCH. LIQ. RY18                              | RY18 LIQ. TANK_ASS                                  | ENS_CUVE_LIQ_RY18                     | BAUGR._WANNE FLÜSSIGK._RY18           | CONJ_CUBET_LIQ_RY18                                  |                    |
| 26     | 263860       | ASS._CONN. IEC PR. VASC. EU RY18                   | EU RY18 _TANK_ASS                                   | ENS_CONN_IEC_PR_CUVE_EU RY18          | BAUGR._ANSCHLUSS_IEC FÜR WANNEN_E     | CONJ_CONN_IEC PR_CUBET_EU RY18                       |                    |
| 27     | 263664       | VASCHETTA LIQUIDI                                  | LIQUID TRAY   | BAC LIQUIDES                          | FLÜSSIGKEITENSCHALE                   | CUBETA LIQUIDOS                                      |                    |
| 28     | 263667       | VASCHETTA FONDI                                    | GROUNDNS DRAWER                                     | BAC MARCS                             | KAFFEESATZSCHALE                      | CUBETA POSOS   |                    |
| 29     | 263881       | SCAT_IMBALLO RY18                                  | RY18 PACKING_BOX                                    | BOÎT_EMBALLAGE RY18                   | VERPACKUNGSBOX RY18                   | CAJA_EMBALAJE RY18                                   |                    |
| 30     | 263917       | PIASTR.MAGNETE SPORT.METAL.RY1                     |   |                                       |                                       |  |                    |
| 31     | 516533500    | MAGNETE CILINDRICO Ø7 X 5                          |   |                                       |                                       |  |                    |



| N.POSI | COD          | I - DESCRIZIONE                 | UK - DESCRIPTION                 | F - DESCRIPTION                  | D - BEZEICHNUNG                   | E - DESCRIPCION                  | NOTE |
|--------|--------------|---------------------------------|----------------------------------|----------------------------------|-----------------------------------|----------------------------------|------|
| 1      | 263852       | PANNELLO TOUCH OTC RY18         | OTC RY18 TOUCH PANEL             | PANNEAU TOUCH OTC RY18           | TOUCHSCREEN OTC RY18              | PANEL TÁCTIL OTC RY18            |      |
| 2      | 421944061141 | CAPACITIVO ADESIVO NOCS         | SELF-ADH.FLEXIBLE KYB NOCS       | AFICHEUR LCD                     | LCD DISPLAY                       | DISPLAY LCD                      |      |
| 3      | 263245       | LCD DISPLAY                     | light guide NoCS                 |                                  |                                   |                                  |      |
| 4      | 421944061091 | DIFFUSORE LUCE NOCS             | SCREW TCBR TORX 10 3.5X12 PLAST. | VIS TOBR TORX 10 3.5X12 PLASTZN  | TORXSCHRAUBE 3.5X12               | VITE TCBR 3.5X12 PLASTZN-N       |      |
| 5      | 12000450     | KBD_AREA                        | KBD_AREA                         | KBD_AREA                         | KBD_AREA                          | KBD_AREA                         |      |
| 6      | 11034202     | COPERTURA FRONTALE SINISTRA     | LEFT FRONT COVER                 | COUVERTURE FRONTALE GAUCHE       | ABDECKUNG FRONTVERKLEIDUNG LINKS  | CUBIERTA FRONTAL IZQUIERDA       |      |
| 7      | 263691       | COPERTURA FRONTALE DESTRA       | RIGHT FRONT COVER                | COUVERTURE FRONTALE DROITE       | ABDECKUNG FRONTVERKLEIDUNG RECHT  | CUBIERTA FRONTAL DERECHA         |      |
| 8      | 263677       | FRONTALE COMANDI                | CONTROL FRONT PANEL              | FAÇADE COMMANDES                 | FRONTVERKLEIDUNG BEDIENFELD       | FRONTAL MANDOS                   |      |
| 9      | 263676       | WATER DISPENSER NOCS            | WATER DISPENSER NOCS             |                                  |                                   |                                  |      |
| 10     | 421944065611 | EROGATORE ACQUA NOCS            | RY18 COFFEE DISPENSER ASS.       | ENS. DISTRIBUTEUR CAFÉ RY18      | BAUGR. KAFFEEAUSGABE RY18         | CONJ. EROGADOR CAFÉ RY18         |      |
| 11     | 263882       | ASS. EROGATORE CAFÉ RY18        | COFFDISP.MOB.PART                | PARTIE MOB.EXT.DISTR.CAF.        | BEW. TEIL VERL.KAFFEEAUSGABE      | PARTIE MUEB.EXT.EROG.CAF.        |      |
| 12     | 263682       | PATTINO EROG. CAF.MYB9 BIA.     | WHITE COFFEE DISPENSER SLIDER MY | PATIN EROGATION CAFE             | Gleitstück im Auslauf             | PATTINO EROG.CAF.MYB9 BIA.       |      |
| 13     | 11013085     | PATTINO EROG. CAF.MYB9 BIA.     | BLACK.FRON.CO.FDISPEN.COVER RYL/ |                                  |                                   |                                  |      |
| 14     | 11036785     | AS.COP.ANTISUPEREROG.CAF.RYL/T  | COFFEE DISPENSING FRONT COVER    | COUVERTURE AVANT DISTRIBUTION CA | ABDECKUNG VORNE KAFFEEAUSGABE     | CUBIERTA DELANTERA EROGACIÓN CAF |      |
| 15     | 263679       | COPERTURA ANTERIORE EROGAZIONE  | COFFEE DISPENSER BODY            | CORPS DISTRIBUTEUR CAFE          | KÖRPER KAFFEEAUSGABE              | CUERPO EROGADOR CAFE             |      |
| 16     | 263681       | CORPO EROGATORE CAFFÈ           | COFFEE DISPENSING REAR COVER     | COUVERTURE ARRIERE DISTRIBUTION  | ABDECKUNG HINTEN KAFFEEAUSGABE    | CUBIERTA TRASERA EROGACIÓN CAFÈ  |      |
| 17     | 263680       | COPERTURA POSTERIORE EROGAZIONE | SCREW TSP TORX 10 3X10 PLAST.SS  | VIS TSP 3X10 PLAST.INOX          | TORXSCHRAUBE 3X10                 | SCREW TSP TORX 10 3X10 PLAST.SS  |      |
| 18     | 12000895     | VITE TSP 3X10 PLAST.INOX        | CPR + FW ASS. 230 V OTC RY18     | GR. CPR + FW 230V OTC RY18       | BAUGR. DECKEL + FW 230V OTC RY18  | CONJ. CPR + FW 230V OTC RY18     |      |
| 19     | 263247       | AS. CPR + FW 230V OTC RY18      | BLACK SEAL FOR COFFEE DISPENSER  | CARNITURE EROGATION CAFE         | Dichtung schwarz Kaffeerauslauf   | GUARN.EROG.CAF.RYL NER.          |      |
| 20     | 170000337    | GUARN.EROG.CAF.RYL NER.         | BLACK COFFEE DISPENSER TUBE RYL  | TUBE EROGATION CAFE              | BLACK CAPPUC.INPUT MILK CONNECTO  | TUBO EROG.CAF.RYL NER.           |      |
| 21     | 170000616    | TUBO EROG.CAF.RYL NER.          | BLACK CAPPUC.INPUT MILK CONNECTO | RACCORD ASPIRATION LAIT          | O-Ring 106 SV, MC, P3/5           | RAC.INGRES.LATTE CAPPUC.RYL NER. |      |
| 22     | 17000785     | RAC.INGRES.LATTE CAPPUC.RYL NER | O-RING 106 SILICONE              | JOINT 106                        |                                   | OR 106 SILICONE                  |      |
| 23     | NM01.028     | OR 106 SILICONE                 | BLK UPPER CAPPUC.LID LASER RYL   | BLK UPPER CAPPUC.LID LASER RYL   | BLK UPPER CAPPUC.LID LASER RYL    | BLK UPPER CAPPUC.LID LASER RYL   |      |
| 24     | 17004098     | COP.SUP.CAPPUCINAT.RYL NER/LA   | BLACK LEFT ENTRY CAPPUCINAT.CAS  | CORPS CAPPUCINATORE              | BLACK LEFT ENTRY CAPPUCINAT.CAS   | CORPO CAPPUC.INGRES.SX RYL NER.  |      |
| 25     | 170000338    | CORPO CAPPUC.INGRES.SX RYL NER  | TAPER SPRING                     | RESSORT CONIQUE INSERT CAPPUC.   | KEGELFÖRMIGE FEDER EINSATZ CAPPUC | MUELLE CONICO INSERTO CAPPUC.    |      |
| 26     | 263235       | MOLLA CONICA INSERTO CAPPUC.    | GREY RIGHT CAPPUCINATORE INSERT  | INSERT DROIT BLOCAGE CAPPUCINAT  | GREY RIGHT CAPPUCINATORE INSERT   | INS.DX BLOCCAG.CAPPUC.RYL GRI.   |      |
| 27     | 17000402     | INS.DX BLOCCAG.CAPPUC.RYL GRI.  | BLK LOWER CAPPUCINATORE INSERT   | BLK LOWER CAPPUCINATORE LID V2   | BLK LOWER CAPPUCINATORE LID V2    | BLK LOWER CAPPUCINATORE LID V2   |      |
| 28     | 421941278272 | COP.INF.CAPPUC.V2 RYL NER.      | GREY LEFT CAPPUCINATORE INSERT   | INSERT GAUCHE BLOCAGE CAPPUCIN   | GREY LEFT CAPPUCINATORE INSERT    | INS.SX BLOCCAG.CAPPUC.RYL GRI.   |      |
| 29     | 170000389    | INS.SX BLOCCAG.CAPPUC.RYL GRI.  |                                  |                                  |                                   |                                  |      |
| 30     | 217761105    | VITE TSP 3X10 PLAST.INOX        | MILK INTAKE+OUTLET CONNECT.RYL V | MILK INTAKE+OUTLET CONNECT.RYL V | MILK INTAKE+OUTLET CONNECT.RYL V  | MILK INTAKE+OUTLET CONNECT.RYL V |      |
| 31     | 263954       | CONO ASPIR.USCITA DX-SX LATTE   | SILICONE TUBE 3.5X6 L=500 MM     | TUBE SILICONE 3.5X6 L=500MM      | SILICONE TUBE 3.5X6 L=500 MM      | TUBO SILICONE 3.5X6 L=500MM TAGL |      |
| 32     | 421944059361 | RAC.TUBO ASPIR.+USCITA LATTE R  | KIT BLK CAPPUCINATORE RYLO       | KIT CAPPUCINATORE NOIR           | KIT CAPPUCINATORE NERO            | KIT CAPPUCINATORE NERO           |      |
| 33     | 263953       | COP.METALL.ASPIR.USC.LATTE PHE  | BLK CAPPUCIN.OUTPUT STEAM CONNE  | BLK CAPPUCIN.OUTPUT STEAM CONNE  | BLK CAPPUCIN.OUTPUT STEAM CONNE   | BLK CAPPUCIN.OUTPUT STEAM CONNE  |      |
| 34     | 11029672     | TUBO SILICONE 3.5X6 L=500MM/TA  | SS.INSERT FOR MAGNET MYB9        | INSERTION MAGNET                 | Aufnahme Magnet                   | SS.INSERT FOR MAGNET MYB9        |      |
| 35     | 263956       | AS.CAPPUC.V2 RYL NER.SER.       | BLK CAPPUCINATORE BOARD SUPP.CO  | CORPS SUPPORT PLATINE CAPPUC. NO | BLK CAPPUCINATORE BOARD RYL       | COP.SUPP.SCHEDA CAPPUC.RYL NER.  |      |
| 36     | 264050       | KIT CAPPUCINATORE RY18          | CAPPUCINATORE BOARD RYL          | PLATINE CAPPUCINATORE            | CAPPUCINATORE BOARD RYL           | SCHEDA CAPPUC.RYL                |      |
| 37     | 17000615     | RAC.USCITA VAP.CAPPUC.RYL NER.  | INS.MAGNETE MYB9 INOX            | RESSORT INSERT                   | Feder zu Mikroschalter Karaffe    | MOLLA INS.MICRO.CARAF.MYB9 ACC.  |      |
| 38     | 11014016     | INS.MAGNETE MYB9 INOX           | SCHEDA CAPPUC.RYL                | INSERT PRESENCE CAPPUCINATORE    | BLACK CAPPUCINATORE PRESENCE IN   | INS.PRESENZA CAPPUC.RYL NER.     |      |
| 39     | 17000348     | COP.SUPP.SCHEDA CAPPUC.RYL NER  | MOLLA INS.MICRO.CARAF.MYB9 ACC   | INS.PRESENZA CAPPUCINATORE       | BLACK CAPPUCINATORE PRESENCE IN   | INS.PRESENZA CAPPUC.RYL NER.     |      |
| 40     | 11025772     | MOLLA INS.MICRO.CARAF.MYB9 ACC  | BLACK CAPPUCINATORE PRESENCE IN  | SUPPORT PLATINE CAPPUC.NOIR      | BLACK CAPPUCINATORE BOARD SUPPO   | SUPP.SCHEDA CAPPUC.RYL NER.      |      |
| 41     | 17000019     | INS.PRESENZA CAPPUC.RYL NER.    |                                  |                                  |                                   |                                  |      |
| 42     | 17000421     | INS.PRESENZA CAPPUC.RYL NER.    |                                  |                                  |                                   |                                  |      |
| 43     | 170000339    | SUPP.SCHEDA CAPPUC.RYL NER.     |                                  |                                  |                                   |                                  |      |



| N.POSI<br>COD | I - DESCRIZIONE                               | UK - DESCRIPTION                  | F - DESCRIPTION                  | D - BEZEICHNUNG                  | E - DESCRIPCION                   |
|---------------|---|-----------------------------------|----------------------------------|----------------------------------|-----------------------------------|
| 1             | 421944057621<br>SUPPFISSAG.CALDAIE TUB.SLIM V | NEU SLIM TUB. BOILERS SUPPORT V2  | NEU SLIM TUB. BOILERS SUPPORT V2 | NEU SLIM TUB. BOILERS SUPPORT V2 | NEU SLIM TUB. BOILERS SUPPORT V2  |
| 2             | 129573402<br>VITE TCB PH/SW 4X10 UNI 8112 Z   | SCREW TAPT M4X10 DIN 7985 GALV    | VIS 4X10 (DIN7985)               | Linsenschraube M4x10 DIN7985, ve | VITE TCB PH/SW 4X10 UNI 8112 ZNP  |
| 3             | 190800100<br>SENSORE TEMPERATURA NTC UL L=2   | TEMPERATURE SENSOR NTC UL L=280MM | SENSEUR DE TEMPERATURE           | SENSOR NTC UL L=280 mm           | SENSORE TEMPERATURA NTC UL L=280  |
| 4             | 263248<br>AS.CALD.TUB.XS4.1300W.230V          | 1300W 230V BOILER ASSEMBLY XS4    | GR.CHAUD.TUB.XS4.1300W.230V      | BAUGR.KESSEL.ROHR.XS4.1300W.230V | CONJ.CALD.TUB.XS4.1300W.230V      |
| 5             | 12001033<br>THERMOSTATO ONE SHOT 190°         | THERMOSTAT ONE SHOT 190°          | THERMOSTAT ONE SHOT 190°         | THERMOSTAT ONE SHOT              | THERMOSTATO ONE SHOT 190°         |
| 6             | 217763204<br>VITE TSP 5X20 PLASTZN-B          | TUB BOILER V3 UPPER THERM.FIXING  | RESSORT DE MAINTIENT THERMOSTAT  | HALTEBÜGEL MIT PE                | MOLLA FERM.TERMOS.SUP.CALD.TUB.V  |
| 7             | 11001751<br>MOLLA FERM.TERMOS.SUP.CALD.TUB    | BRASS BEIN FASTON 45° 6.3X0.8     | RACCORD DE PROTECTION 45° 6.3X0. | Schutzleiteranschluss 45°        | FASTON PIEGATO 45° 6.3X0.8 OTTON  |
| 8             | 124390520<br>VITE TCB M4X8 AUTOFORMI.S/TEST.  | SCREW TCB TORX 20 M4X8 AUTOFORMI  | VIS CB TORX 20 M4X8 AUTOFORMING  | TORXSCHRAUBE 4X8                 | SCREW TCB TORX 20 M4X8 AUTOFORMI  |
| 9             | 12001715<br>VITE TCB M4X8 AUTOFORMI.S/TEST.   | BOILER ASS.                       | GR. CHAUDIERE                    | BAUGR. KESSEL                    | CONJ. CALDERA                     |
| 10            | 263683<br>ASS. CALDAIA                        | COF. PIPE_BOIL_GEN_ASS._230RY18   | ENS_GEN_CHAUD_TUB_CAF_230RY18    | BAUGR._ALLG._KESSEL_ROHR_KAFFEE_ | CONJ_GEN_CALD_TUB_CAF_230RY18     |
| 11            | 263884<br>VITE TCB 3X8 PLASTZN-B              | SCREW TCB TORX 10 3X8 PLASTZN-B   | VIS TCB TORX 10 3X8 PLASTZN-B    | TORX-BLECHSCHR. 3X8              | VITE TCB 3X8 PLASTZN-B            |
| 12            | 129913202<br>VITE TCB 3.5X12 PLASTZN-N        | SCREW TCB TORX 10 3.5X12 PLAST.   | VIS TCB TORX 10 3.5X12 PLASTZN   | TORXSCHRAUBE 3.5X12              | VITE TCB 3.5X12 PLASTZN-N         |
| 13            | 12000450<br>ASS_EV_CAPPNUCC_SCARIC_RY18       | WASHER UNI 8842 A5 SS             | RONDELLE                         | Unterlegscheibe A5,3 DIN 6798 in | ROSETTA UNI 8842 A5 INOX          |
| 14            | 263955<br>VITE TCEI/AUTOFILET.4.8X32 ZIN      | GALVANIZED SELF-TAPPING SCREW 4.  | VIS TCEI AUTOFILET.4.8X32 ZINC   | Schraube 4,8 x 32 selbstschneide | VITE TCEI/AUTOFILET.4.8X32 ZINC   |
| 15            | 128310521<br>RACCORDO A GOMITO                | ELBOW JOINT                       | RACCORD COUDE                    | L-VERBINDER                      | RACORDE CODO                      |
| 16            | 11003555<br>OR 2015 SILICONE PTFE/FDA         | OR 2015 SILICONE PTFE/FDA         | JOINT OR 2015 SILICONE ROUGE     | O-RING 2015 SILIKON              | OR 2015 SILICONE PTFE/FDA         |
| 17            | 263690<br>SUPP.PERNO PASS.ACQ.CALDA RYL       | BLACK HOT WATER PIN SUPPORT RYL   | SUPPORT PIVOT                    | BLACK HOT WATER PIN SUPPORT RYL  | SUPP.PERNO PASS.ACQ.CALDA RYL NE  |
| 18            | 140328059<br>TAPPO PERNO PASS.ACQ.CALDA RYL   | TEA/BRASS HOT WATER PIN PLUG RYL  | BOUCHON PIVOT                    | TEA/BRASS HOT WATER PIN PLUG RYL | TAPPO PERNO PASS.ACQ.CALDA RYL O  |
| 19            | 17000156<br>OR ORM 0040-20 SILICONE           | OR ORM 0040-20 SILICONE           | JOINT OR 0040-20 SILICONE        | O-Ring 0040-20 Silikon           | OR ORM 0040-20 SILICONE           |
| 20            | 11026413<br>FORCELLA X TUBO D=4 INOX          | SS FORK FOR TUBE D=4              | AGRAFE TUYAU                     | Sicherungsfeder Schlauch Vi. RO  | FORCELLA X TUBO D=4 INOX          |
| 21            | 140326662<br>BOCC.PERNO CALD OT/TEA           | TEA/BRASS BOILER PIN BUSH         | BAGUE LAITON                     | Fixierhülse zu Boiler messing    | BOCC.PERNO CALD OT/TEA            |
| 22            | 9011.144<br>MOLLA PISTONCINO INOX             | SS SPRING FOR PIN                 | RESSORT POUR EPINGLE             | FEDER VENTILSTUTZEN              | MOLLA PISTONCINO INOX             |
| 23            | 11009012<br>PERNO X PISTONCINO L=10 OT/TEA    | TEA/BRASS PIN FOR PISTON L=10     | PIVOT POUR PISTON L=10 OT/TEA    | Stift zu Ventil L=10             | PERNO X PISTONCINO L=10 OT/TEA    |
| 24            | 11009013<br>AS.PISTONCINO C/GOLA L=20,9 OT    | TEA/BRASS PISTON L=20,9 ASSY.     | ENS PISTON                       | VENTILSTIFT + DICHTUNG VITON     | AS.PISTONCINO C/GOLA L=20,9 OT/TT |
| 25            | 11009019<br>PERNO PASS.ACQUA CALDA            | HOT WATER PIN                     | PIPE TTE CHAUDIERE               | Ventilzapfen MA-RD               | PERNO PASS.ACQUA CALDA            |
| 26            | 9161.434<br>CURSOR CALD.V2 P119 PEEK NAT.     | NATURAL CURSOR V2 FOR BOILER P11  | CURSEUR DE CHAUDIERE P119        | GLEITSTÜCK AUSLAUFSTUTZEN        | CURSORE CALD.V2 P119 PEEK NAT.    |
| 27            | 11005089<br>OR ORM 0090-20 SILICONE           | OR ORM 0090-20 SILICONE           | JOINT OR ORM 90-20               | O-RING ORM 0090-20 SILICONE      | OR ORM 0090-20 SILICONE           |
| 28            | NM01.035<br>OR ORM 0050-20 SILICONE           | OR ORM 0050-20 IN SILICONE        | JOINT OR ORM 50-20               | O-RING ORM 0050-20 SILICONE      | OR ORM 0050-20 SILICONE           |
| 29            | 11001057<br>ROSETTA DENT. EST 4.3 DIN 6798    | TOOTHED WASHER EXT. 4.3 DIN 6798  | RONDELLE DENT. EXT. 4.3 DIN 6798 | RÄNDELSCHHEIBE EXT. 4.3 DIN 6798 | ARANDELA DENT. EXT 4.3 DIN 6798   |
| 30            | A-0136<br>ASS. PERNO ACQUA CALDA              | HOT WATER PIN ASS.                | GR.AXE EAU CHAUDE                | BAUGR. BOLZEN WARMWASSER         | CONJ. PERNO AGUA CALIENTE         |
| 31            | 263694  |                                   |                                  |                                  |                                   |
| 32            |   |                                   |                                  |                                  |                                   |



New Royal OTC

08/09/2020

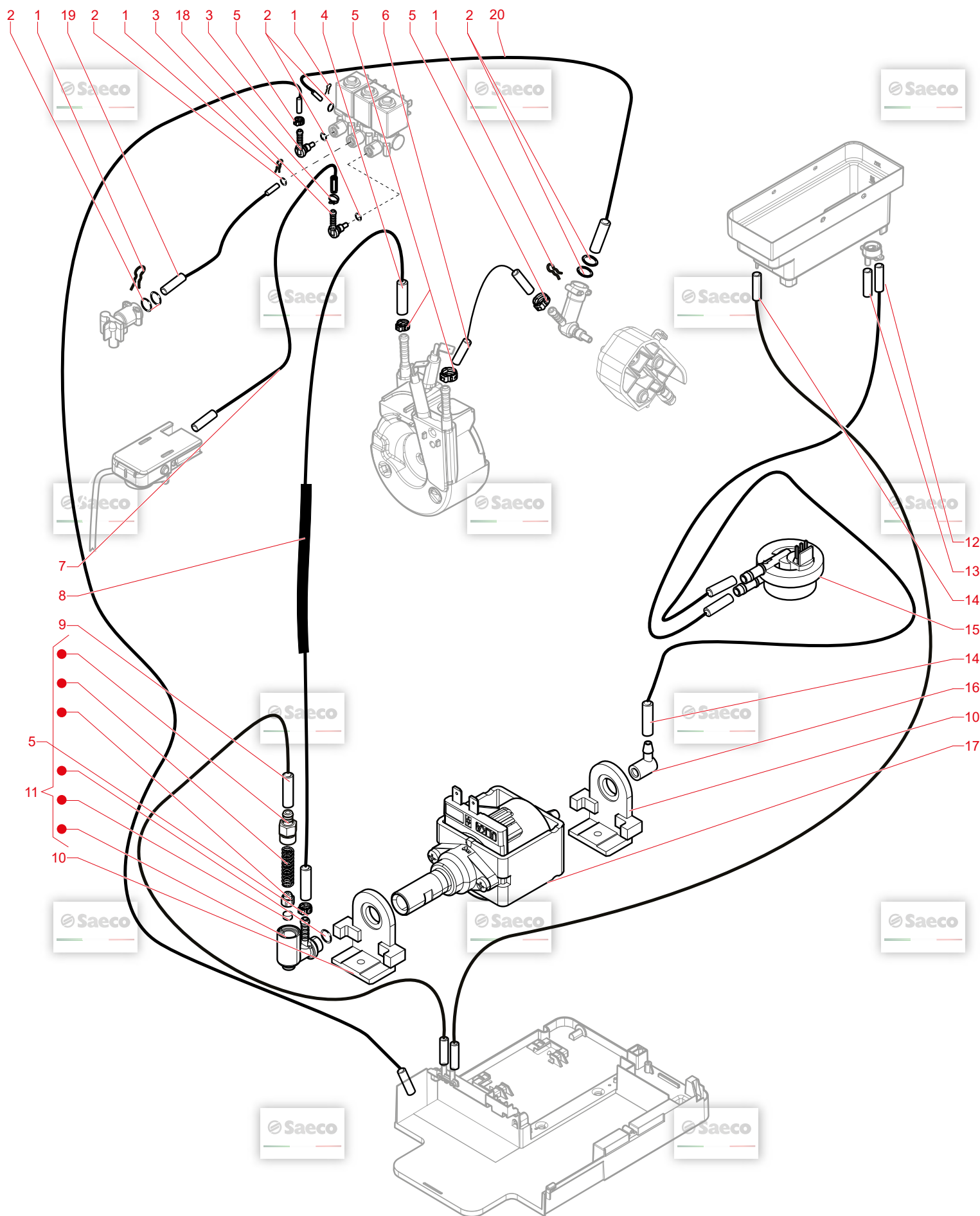
03

C0343X00

GAGGIO MONTANO

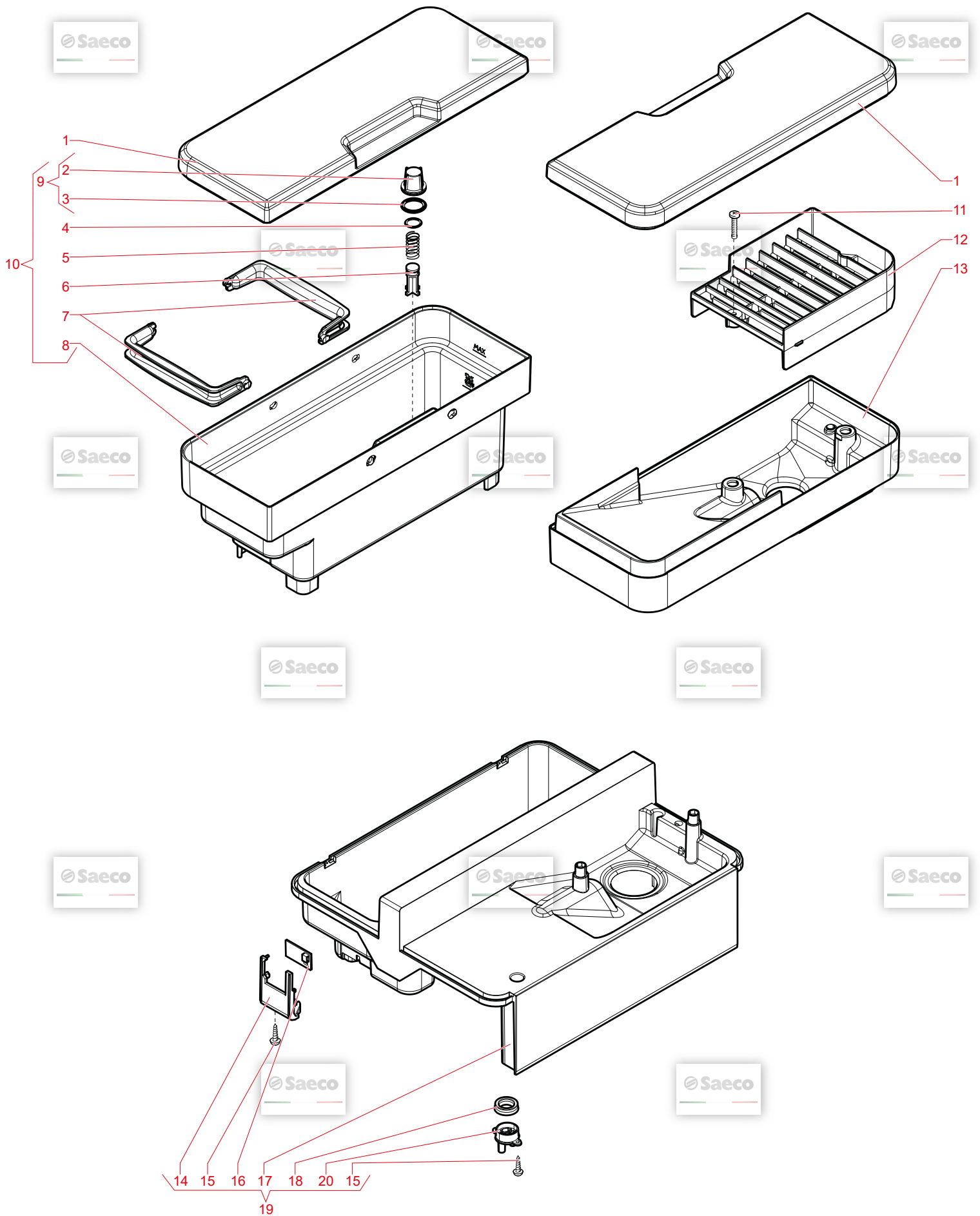
© by Saeco, a company of EVOCA Group





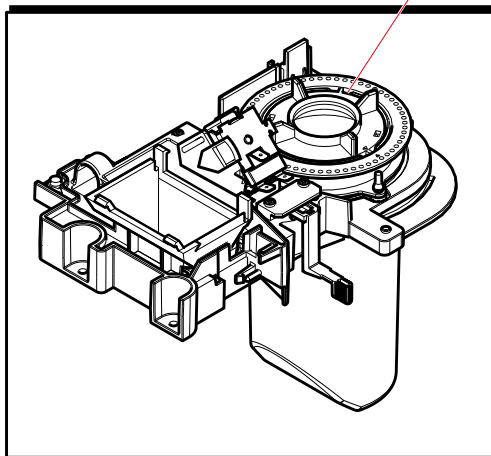
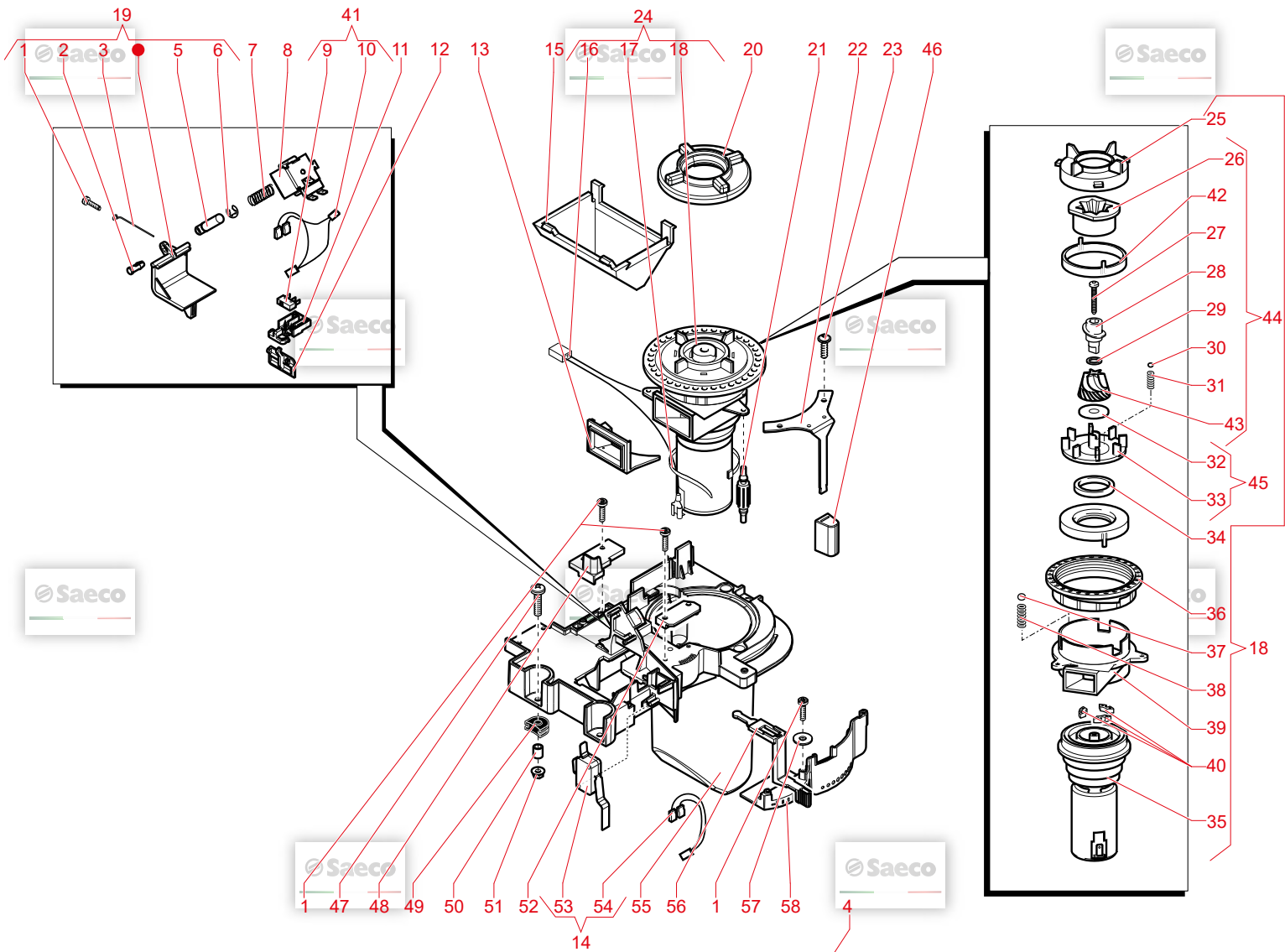
| N.POSI<br>COD | I - DESCRIZIONE | UK - DESCRIPTION                  | F - DESCRIPTION                    | D - BEZEICHNUNG                  | E - DESCRIPCION                   |
|---------------|-----------------|-----------------------------------|------------------------------------|----------------------------------|-----------------------------------|
| 1             | 9011.144        | FORCELLA X TUBO D=4 INOX          | AGRAFE TUYAU                       | Sicherungsfeder Schlauch VI, RO  | FORCELLA X TUBO D=4 INOX          |
| 2             | 140328059       | OR 2015 SILICONE PTFE/FDA         | JOINT OR 2015 SILICONE ROUGE       | O-RING 2015 SILIKON              | OR 2015 SILICONE PTFE/FDA         |
| 3             | 421944059391    | RAC.FAST LOCK PPS 90°TUBO SIL.    | TUBE SILICONE 11X12,8 TRASP.L=20   | Silikonschlauch 11X12,8 trans.L= | TRANSP.SILICONE TUBE 11X12,8 L=2  |
| 4             | 11010624        | TUBO SIL TRAS. 11X12,8 L=200 MM   | AGRAFES OETIKER D=9,5 L=16700004   | OETTINGERKLEMMME D=9,5           | FASCETTA OETIKER D=9,5 L=16700004 |
| 5             | 12000892        | FASCETTA OETIKER D=9,5 L=16700004 | TUBE SIL.RETIN.5X8,9 L=120MM ROS   | PINK 5X8,9 SILICONE TUBE L=120 M | AS.TUBO TEFLON 2X4 L=160MM+2BOCC  |
| 6             | 227872300       | TUBO SIL RETIN.5X8,9 L=120MM R    | TUBE TEFLON                        | Teflonschlauch kpl l=160mm       | TRANSP SILICONE TUBE 11X12,8 L=2  |
| 7             | 11010624        | AS.TUBO TEFLON 2X4 L=160MM+2BO    | TUBE SILICONE 11X12,8 TRASP.L=20   | Silikonschlauch 11X12,8 trans.L= | TUBO SILICONE 5X10 TRASP.L.120M   |
| 8             | 229368600       | TUBO SIL TRAS. 11X12,8 L=200 MM   | SILICONE TUBE 5X10 60SH L=120 MM   | SILICONE TUBE 5X10 60SH L=120 MM | SUPP.POMPA TYP ULKA C/SMUSSO NER  |
| 9             | 229368600       | TUBO SILICONE 5X10 TRASP. L.12    | SUPPORT POMPE ULKA                 | GUMMIHALTER PUMPE                | AS.VALV.SICUREZZA 20/22 bar       |
| 10            | 149205850       | SUPP.POMPA TYP ULKA C/SMUSSO N    | SAFETY VALVE 20/22 bar ASSY.       | SAFETY VALVE 20/22 bar ASSY.     | AS.VALV.SICUREZZA 20/22 bar       |
| 11            | 11035987        | AS.VALV.SICUREZZA 20/22 bar       | SILICONE TUBE 5X10 60SH L=240 MM   | Silikonschlauch 5x10 L=240mm     | TUBO SILICONE 5X10 TRASP.L.240MM  |
| 12            | 9972.123        | TUBO SILICONE 5X10 TRASP.L.240    | BOUCHON SILICONE                   | Silikonabdeckung                 | CAPPUCCIO IN SILICONE(cod soveco  |
| 13            | WGADM1908       | CAPPuccio IN SILICONE(cod sove    | TUBE SILICONE 5X10 60SH L=165 MM   | Silikonschlauch 5x10 L=165mm     | TUBO SILICONE 5X10 60SH L=165 MM  |
| 14            | 9972.297        | TUBO SILICONE 5X10 TRASP. L.16    | DEBITMETRE D=1,2                   | TURBINE D=1,2                    | AS.TURBINA D=1,2                  |
| 15            | NV99.099        | AS.TURBINA D=1,2                  | BEND                               | BEND                             | PIPETTA IN SANTOPRENE             |
| 16            | 518565400       | & PIPETTA IN SANTOPRENE           | POMPE PX50 230V 50HZ -LAIION-      | PUMPE PX50 230V 50HZ -MESSING-   | BOMBA PX50 230V 50HZ -LATON-      |
| 17            | 263318          | POMPA PX50 230V 50HZ - OTTONE.    | ATTACHE DE TUYAU D:9,5             | Schlauchklemme Pumpenwinkel      | MOLLA STRINGITUBO D=9,5MM ZINC.G  |
| 18            | 184320200       | MOLLA STRINGITUBO D=9,5MM ZINC    | TEFLON TUBE 2X4 L=200 MM ASSY TUBE | TEFLON TUBE 2X4 L=200 MM ASSY    | AS.TUBO TEFLON 2X4 L=200MM+2BOCC  |
| 19            | 17004125        | AS.TUBO TEFLON 2X4 L=200MM+2BO    | TEFLON TUBE 2X4 L=200 MM ASSY TUBE | Te lonschlauch kpl l=160mm       | AS.TUBO TEFLON 2X4 L=160MM+2BOCC  |
| 20            | 227872300       | AS.TUBO TEFLON 2X4 L=160MM+2BO    |                                    |                                  |                                   |



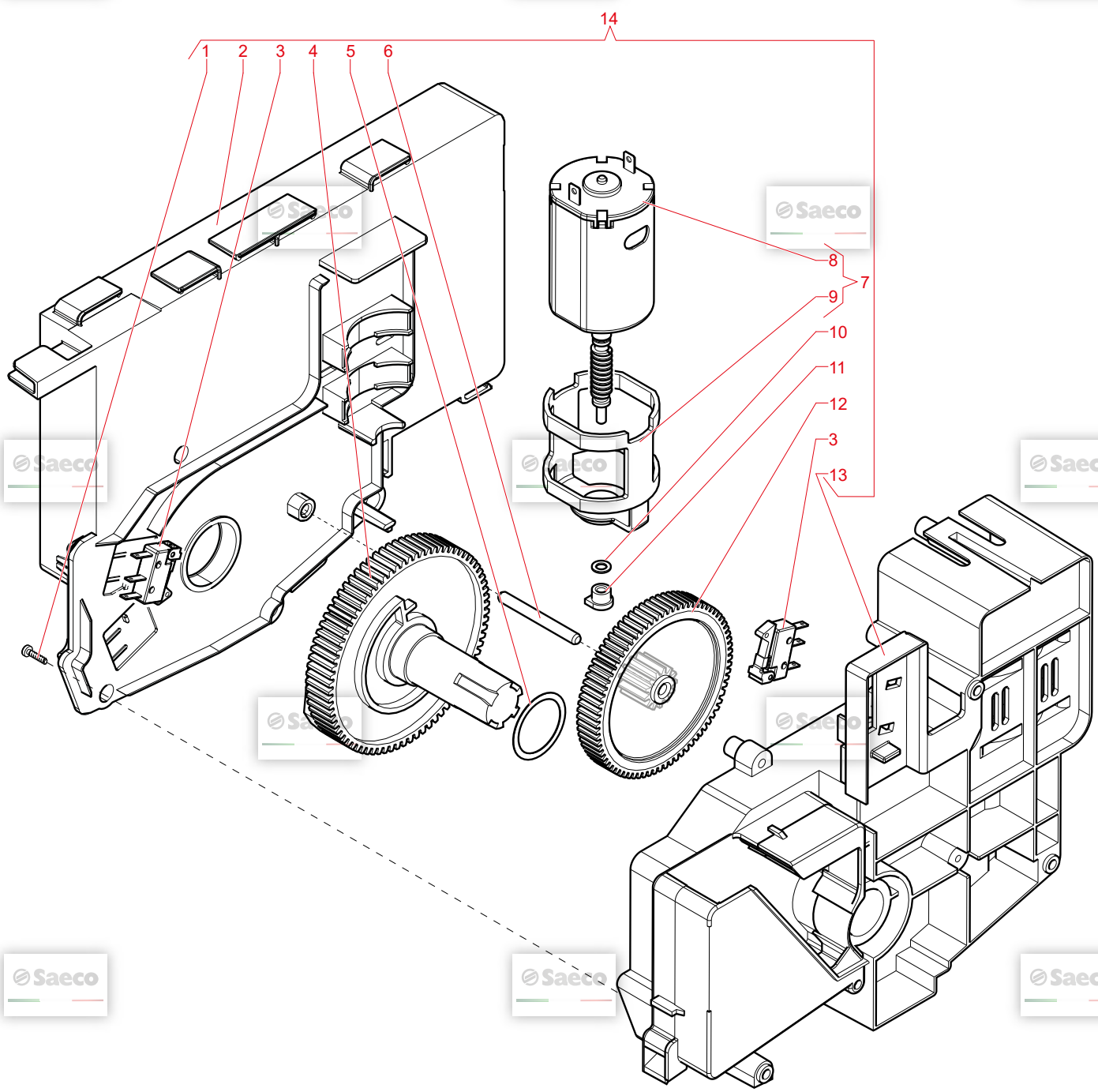


| N.POSI<br>COD | I - DESCRIZIONE                              | UK - DESCRIPTION                 | F - DESCRIPTION                  | D - BEZEICHNUNG                  | E - DESCRIPCION                   |
|---------------|--|----------------------------------|----------------------------------|----------------------------------|-----------------------------------|
| 1             | 263666<br>COPERCHIO VASCHETTA ACQUA          | WATER TANK COVER                 | COUVERCLE BAC EAU                | DECKEL SCHALE WASSER             | TAPA CUBETA AGUA                  |
| 2             | 11036042<br>FILTRO EST. ACQ. A RETE D=30MM   | EXT. WATER NET FILTER D=30MM NOC | EXT. WATER NET FILTER D=30MM NOC | EXT. WATER NET FILTER D=30MM NOC | FILTRO EST. ACQ. A RETE D=30MM N  |
| 3             | NM01.022<br>OR 2106 SILICONE                 | OR 2106 SILICONE                 | JOINT OR 2106 SILICONE           | O-Ring 2106 Silicon              | OR 2106 SILICONE                  |
| 4             | 140324362<br>OR ORM 0060-30 SILICONE         | OR ORM 0060-30 SILICONE          | JOINT DE BAC 0060-30             | O-Ring 0060-30 Silicon schwarz   | OR ORM 0060-30 SILICONE           |
| 5             | 126764718<br>MOLLA CILINDR. VALV.CONT.ACQ.IN | SS WATER CONTAINER VALVE SPRING  | RESSORT DE VALVE                 | Druckfeder zu Wassertankventill  | MOLLA CILINDR. VALV.CONT.ACQ.INOX |
| 6             | 147660362<br>PIST.VALV.CONT.ACQ. GRI.        | GREY PISTON FOR WATER CONTAINER  | PISTON X VALVE BAC EAU           | Ventil Wasserbehälter MA, RO, VI | PIST.VALV.CONT.ACQ. GRI.          |
| 7             | 263885<br>MANIGLIA SERB.H2O RY18             | TANK HANDLE H2O RY18             | POIGNEE RESERV.H2O RY18          | GRIF TANK H2O RY18               | MANILLA DEPOS H2O RY18            |
| 8             | 263886<br>SERBATOIO H2O RY18                 | TANK H2O RY18 Z.B.               | RESERVOIR H2O RY18               | TANK H2O RY18                    | DEPOSITO H2O RY18                 |
| 9             | 11036095<br>AS.FILTRO EST.CONT.ACQ.BIA.UL    | WHITE WATER CONTAINER EXT.FILTER | WHITE WATER CONTAINER EXT.FILTER | WHITE WATER CONTAINER EXT.FILTER | AS.FILTRO EST.CONT.ACQ.BIA.UL     |
| 10            | 263696<br>ASS. SERBATOIO                     | TANK SUPPORT                     | GR. RESERVOIR                    | BAUGR. TANK                      | CONJ. DEPOSITO                    |
| 11            | 129912521<br>VITE TCBR 3.5X14 PLAST.INOX     | SCREW TCBR TORX 10 3.5X14 PLAST. | VIS TCBR TORX 10 3.5X14 PLASTSS  | SCHRAUBE 3.4X14                  | VITE TCBR 3.5X14 PLAST.INOX       |
| 12            | 263669<br>GRIGLIA CONTENITORE CAFFE'         | COFFEE CONTAINER RACK            | GRILLE RECIPIENT CAFE            | GITTER KAFFEEBEHALTER            | REJILLA CONTENEDOR CAFE           |
| 13            | 263668<br>CONTENITORE CAFFE'                 | COFFEE CONTAINER                 | RECIPIENT CAFE                   | KAFFEEBEHALTER                   | CONTENEDOR CAFE                   |
| 14            | 17000391<br>SUPP.SENS.CAPACITIVO LEVEL.ACQ   | BLACK WATER LEVEL SENSOR SUPPORT | BLACK WATER LEVEL SENSOR SUPPORT | BLACK WATER LEVEL SENSOR SUPPORT | SUPP.SENS.CAPACITIVO LEVEL.ACQ.R  |
| 15            | 12000450<br>VITE TCBR 3.5X12 PLAST.ZN-N      | SCREW TCBR TORX 10 3.5X12 PLAST. | VIS TCBR TORX 10 3.5X12 PLASTZN  | TORXSCHRAUBE 3.5X12              | VITE TCBR 3.5X12 PLASTZN-N        |
| 16            | 421941306721<br>AS.CPU+SW SENS.ACQ. V3       | CPU+SW WATER LEVEL SENSOR V3 ASS | PLATINE SENSEUR NIVEAU D'EAU     | CPU+SW WATER LEVEL SENSOR V3 ASS | CPU+SW WATER LEVEL SENSOR V3 ASS  |
| 17            | 263674<br>COPERTURA SUPERIORE                | UPPER COVER                      | CARTER SUPERIEUR                 | ABDECKUNG OBEN                   | CUBIERTA SUPERIOR                 |
| 18            | 145842900<br>GUARN.GACO DIM14 VALV.CONT.ACQ  | NBR WATER CONT.VALVE GACO DIM14  | JOINT GACO                       | Lippendichtung GACO DIM 14       | GUARN.GACO DIM14 VALV.CONT.ACQ.N  |
| 19            | 263695<br>ASS. COPERTURA SUPERIORE           | UPPER COVER ASS.                 | GR. CARTER SUPERIEUR             | BAUGR. ABDECKUNG OBEN            | CONJ. CUBIERTA SUPERIOR           |
| 20            | 421944049521<br>INNESTO TUBI SERB.INOCS      | WATER TANK PIPE CONNECTOR NOCS   |                                  |                                  |                                   |

NOTE

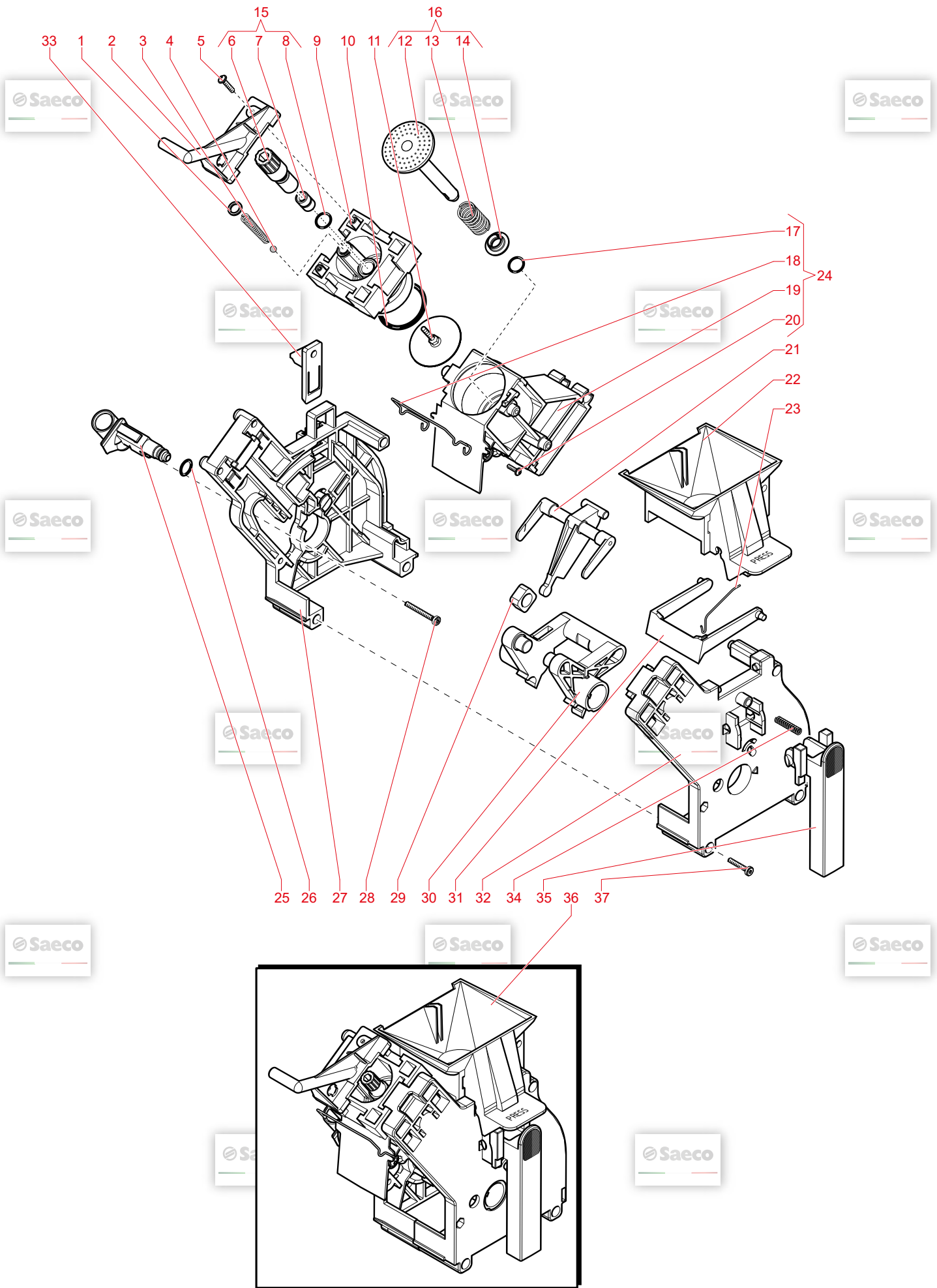


| N.POSI<br>COD | I - DESCRIZIONE | UK - DESCRIPTION                  | F - DESCRIPTION                  | D - BEZEICHNUNG                     | E - DESCRIPCION                   |
|---------------|-----------------|-----------------------------------|----------------------------------|-------------------------------------|-----------------------------------|
| 1             | 129913902       | SCREW TCB TORX 10 3X12 PLAST.ZN-  | VIS TCB 3X12 PLAST.ZN-B          | Torx-Schraube 3x12 ZN-B             | VITE TCB 3X12 PLAST.ZN-B          |
| 2             | 9161.076.150    | GREY GROUND COF.DOSER DOOR PIN    | AXE PORTIERE DE DOSEUR           | Feder Dosierhebel MA                | PERNO SPORT.DOS.CAF.MAC.GRI.      |
| 3             | 9161.048        | STEEL GROUND COF.DOSER SCRAPER R  | AGUILLE DE D'ARASAGE             | Feder Dosierklappe MA, VI           | ASTA RASATORE DOS.CAF.MAC.ACC.    |
| 4             | 263888          | PLATE_GEN_ASS_MC_RY18             | ENS_GEN_PLAQ_MC_RY18             | BAUGR._ALLG._PLATTE_MC_RY18         | CONJ_GEN_PLAC_MC_RY18             |
| 5             | 9161.041        | STEEL GROUND COF.DOSER ELECTROMA  | CONTACT DE BOBINE DOSEUR         | Eisenkern 9x40 DosierMagnService    | NUCLEO ELETTROM.DOS.CAF.MAC.ACC.  |
| 6             | 9161.003        | SNAP RING 7 UNI 7434              | RONDELLE 7 UNI 7434              | Sicherungsring ø7 elastisch         | ANELLO ELASTICO 7 UNI 7434        |
| 7             | 126764818       | SPRING ELECTROM.BEAN DOSER MAGIC  | RESSORT D'ELECTRO AIMANT DOS.CAF | Feder zu Elektromagnet              | MOLLA X ELETTROM.DOS.CAF.GRANI MA |
| 8             | 11025734        | DOSEUR COIL FOR SUPERAUTOM.24V DC | ENS_BOBINES DOSEUR 24VDC         | DOSEUR COIL FOR SUPERAUTOM.24V DC   | AS.BOBINA DOSATORE SUPERAUTOM.24  |
| 9             | NE05.017        | MICROSWITCH                       | MICRO CONTACT DE MOUTURE         | Mikroschalter Dosierer MA, RO       | MICROINTERRUTTORE                 |
| 10            | 421946000541    | 4P.CONN.COIL+DOSEUR MICRO V2 RYL  | CONNECTION 4 POLES MICRO DOSEUR  | 4P.CONN.COIL+DOSEUR MICRO V2 RYL    | 4P.CONN.COIL+DOSEUR MICRO V2 RYL  |
| 11            | 9161.072.150    | GREY MICRO SUPP.CURSOR GROUND CO  | SUPPORT MICRO CONTACT            | Halterung Dosiermikro MA            | CURSORE SUPPMICRO DOS.CAF.MAC.G   |
| 12            | 11036568        | GROUND COF.DOSE CONTROL COMPENSA  | GROUND COF.DOSE CONTROL COMPENSA | Grundring Dosekontrol               | BILANCERE CONTROL.DOSE.CAF.MAC.B  |
| 13            | 1505.014        | COFFEEGRINDER SEAL                | GARNITURE DOSEUR                 | Dichtung Mühle                      | GUARNIZIONE DOSATORE              |
| 14            | 11000023        | MICRO.DOOR RYL UL NVG ASSY        | CONVOYEUR COFFEE POUDEUR GRIS    | Trichterteil unten Kaffeepulver     | CONVOGL.CAF.MAC.MAGIC GRI.        |
| 15            | 9161.079.150    | GREY GRIND COFFEE CONVEYOR MAGIC  | CONDENSEUR AVEC CABLAGE          | KONDENSATOR MIT VERKABELUNG         | CONDENSADOR CON CABLEDO           |
| 16            | 263402          | CONDENSATOR WITH WIRING           | COLLIER AUTOSERRANT L=200MM      | Kabelbinder, l=200mm                | FASCIETTA AUTOBLOC.W=2.6 L=200 B  |
| 17            | 144320200       | SELF LOCK STRIP W=2.6 L=200       | MOULIN CAFE COMPLET 230 V STD.   | Mahlwerkmotor kopt. 230V MA-RD      | AS.MACINACAFFE STD 230V           |
| 18            | 9140.036.00A    | GREY GROUND COF.DOSER DOOR ASSY.  | GARNITURE MOULIN A CAFE          | GREY GROUND COF.DOSER DOOR ASSY.    | GUARNIZIONE MACINACAFFE' UL       |
| 19            | 9140.017        | GASKET COFFEE GRINDER UL          | SILENT BLOC                      | Dichtung Mühle                      | ANTIVIBRANTE X MACINACAFFE'       |
| 20            | 1505.020        | ANTIVIBRATION FOR COFFEEGRINDER   | LEVIER DE REGLAGE MEULE          | Schwingungsdämpfer VI               | LEVA REGOL.MACIN.ACC.             |
| 21            | 9991.103        | STEEL GRINDING ADJUSTMENT LEVER   | VIS TCB TORX 10 3,5X12 PLASTZN   | TORXSCHRAUBE 3,5X12                 | VITE TCBR.3,5X12 PLAST.ZN-N       |
| 22            | 0333.008        | SCREW TCB TORX 10 3,5X12 PLAST.   | GROUPE MOULIN ETALONNE 230V      | BAUGRUPPE KALIBRIERTE MÜHLE 230V    | CONJUNTO MOLINILLO CALIBRADO 230  |
| 23            | 12000450        | CALIBRATED GRINDER ASSEMBLY 230   | SUPPORT MEULE SUPERIEUR          | Mahlringaufnahme                    | SUPPORTO MACINA SUPERIORE MAGIC   |
| 24            | 263404          | BLACK UPPER GRINDER SUPPORT MAGI  | MEULE SUPERIEUR                  | Mahlring                            | MACINA SUPERIORE                  |
| 25            | 149186150       | UPPER GRINDER                     | VIS DE FINESSE                   | Torx-Schraube T10 TCB 3,5x40 SX ZNG | VITE TORX T10 TCB 3,5X40 SX ZNG   |
| 26            | 9141.039        | TORX SCREW T10 TCB 3,5X40 SX ZNG  | VIS DE FINESSE                   | Mahl Schnecke MA, RO, VI            | PERNO INCREMENTO A VITE.MC.MAGIC  |
| 27            | 129931002       | BLK INCREASE SCREW PIN COF.GRIND  | RONDELLE                         | Unterflanschscheibe ø10x16x0,2 DIN  | ROSETTA PIANA 10X16X0,2DIN 988 Z  |
| 28            | 147470763       | PLAIN WASHER 10X16X0,2DIN 988 GA  | SPHERE D 5.5                     | Kugel ø 5,5mm für Rutschkupplung    | SFERA D=5,5MM ACCIAIO INOX AISI   |
| 29            | U201.002        | STAIL STEEL AISI 304 SPHERE D=5.  | RESSORT SPHERE D5.5              | Feder Rutschkupplung MA, RO, VI     | MOLLA ACC.X SFERA D=5,5 MOTORE M  |
| 30            | 128610521       | STEEL SPRING SPHERE D=5.5 MOTOR   | SAFETY RING                      | Metalleinsatz zu Support Mahlwerk   | ANELLO DI SICUREZZA               |
| 31            | 126765517       | SAFETY RING                       | SUPPORT DE MEULE INF.            | Support zum Mahlwerk unten          | SUPPORTO MACINA INFERIORE MAGIC   |
| 32            | 9141.042        | BLACK LOWER GRINDER SUPPORT MAGI  | ANNEAU FEUTRE 40 D1=34 H=5       | Filzring                            | ANELLO IN FELTRO DE=40 D1=34 H=5  |
| 33            | 9141.028        | FELT RING 40X34X5                 | MOTEUR MOUTURE MAGIC NEW         | Mahlwerkmotor mit Getriebe 230V     | MOTORE COMPLETO 230V              |
| 34            | 140360200       | Spare Motor Unit MC 230V          | BAGUE DE REGLAGE                 | Verstellung                         | GHIERA REGOLAZION.MACINATURA MAG  |
| 35            | 0301.R10.00A    | RING NUT FOR GRINDING ADJUSTMENT  | SPHERE INOX D=3mm                | Kugel ø 3,2mm Einstellring Mahlg    | SFERA D=3,2MM ACCIAIO INOX AISI   |
| 36            | 146570950       | STAIL STEEL AISI 304 SPHERE D=3   | RESSORT DE SPHERE                | Feder Einstellring ø 3,2 MA, RO, V  | MOLLA NEW X SFERA D=3,2 MOTORE M  |
| 37            | 128610421       | NEW SPRING SPHERE D=3.2 MOTOR MA  | SUPPORT MOTEUR                   | Motormaterialung Royal              | AMMORTIZ.X SUPPORTO MACINA CONIC  |
| 38            | 126770117       | BLACK COFFEE GRINDER MOTOR SUPPO  | AMORTISSEUR SUPPORT MEULE MAGIC  | Mitnehmer Gummi                     | AMMORTIZ.X SUPPORTO MACINA CONIC  |
| 39            | 9141.080        | SHOCK ABS. CONICAL GRINDER SUPP.  | COUVERCLE MEULE                  | Mahlringabdeckung                   | COBERT X MACINA SUPER.MACINACAF.  |
| 40            | 140230400       | COIL WIRING+DOSEUR MICRO V2 RYL U | MEULE CONIQUE                    | Mahlkegel                           | MACINA CONICA                     |
| 41            | 421946000921    | UPPER GRINDER COVER COFFEE GRIND  | KIT MEULE                        | Mahlkegel + Mahlring MA, RO, VI.    | SUPPOR.C/ANEL.X MACINA CONICA     |
| 42            | 142844550       | CONICAL GRINDER                   | SUPPORT MEULE CONIQUE            | Support unten mit Metalleinsatz     | IMPUGN.LEVA REGUL.MACIN.ROYAL NE  |
| 43            | 9141.040        | KIT ITAL MILL GRINDERS            | VIS TCB TORX 20 MAX16 ZN-B       | LINSEN BLECHSCHR. MTCB TORX 20 M    | VITE TCB TORX 20 MAX16 ZN-B       |
| 44            | 226477700       | CONICAL GRIND. SUPP. + RING MAGI  | COUVERCLE GRIS DOSEUR            | GREY COVER FOR DOSER HOLE RYL       | COP.FORO DOSATORE RYL GRI.        |
| 45            | 149188750       | BLK GRINDING ADJUST.LEVER HANDGR  | SILENT BLOC CAFE MOULU           | Gummihalterung Mahlwerkmotor MA     | GOMMINO X MACINACAFFE'            |
| 46            | 0333.009        | ZN-B TCB TORX 20 MAX16 ZN-B       | RONDELLE D'ECARTEMENT            | Distanzhülse                        | DISTANZIALE X GOMMINO             |
| 47            | U043.004        | GREY COVER FOR DOSER HOLE RYL     | ECROU                            | Sechskantmutter M4 DIN 934          | DADO M4 FLANGIATO BASE DENTELLAT  |
| 48            | 17001155        | RUBBER FOR COFFEE GRINDER         | PLAQUE DE FIXATION               | Montageplättchen MA                 | PIAST.FISSAG.LEVA DOS.CAF.MAC.GR  |
| 49            | 9991.005        | NUT M4 FLANGED INDENTED BASE      | MICRO INTERRUPTEUR               | MICROSWITCH                         | MICROINTERRUTTORE                 |
| 50            | 9141.003        | GREY GROUND COF.DOSER LEVER FIXI  | PLAQUE SUPPORT MOULIN            | Montageplatte Mühle grau Royal      | PIAST.TMC MAGIC/ROYAL GRI.        |
| 51            | U324.006        | MICROSWITCH                       | LEVIER DE REGLAGE CAFE           | Hebel Dosiermagne MA                | LEVA X REGOLAZIONE DOSE DE LUXE   |
| 52            | 9161.097.150    | 2P.CONN.DOOR MICRO V2 RYL UL ASS  | RONDELLE                         | Scheibe 3,2 DIN 7349 verz.          | ROSETTA PIANA 3,2X9 DIN 7349 ZNP  |
| 53            | 12001605        | AS.CONN.ZP.MICRO SPORT.V2 RYL     | GRADUATION REGLAGE DOSE CAFE     | GREY COFF.GRINDING/DOSE ADJUST.SC   | SCALA REGOL.DOSE E MACIN.CAF.RYL  |
| 54            | 421946000501    | DOSE ADJUSTMENT LEVER DE LUXE GR  |                                  |                                     |                                   |
| 55            | 9161.077.150    | PLAIN WASHER 3,2X9 DIN 7349 GALV  |                                  |                                     |                                   |
| 56            | 9161.077.150    | GRY COFF.GRINDING/DOSE ADJUST.SC  |                                  |                                     |                                   |
| 57            | U201.001        |                                   |                                  |                                     |                                   |
| 58            | 17000832        |                                   |                                  |                                     |                                   |



| N.POSI<br>COD | I - DESCRIZIONE | UK - DESCRIPTION                  | F - DESCRIPTION                   | D - BEZEICHNUNG                   | E - DESCRIPCION                  |
|---------------|-----------------|-----------------------------------|-----------------------------------|-----------------------------------|----------------------------------|
| 1             | 129670202       | TCB PANELVIT SCREW 3.5X16 TESTA   | VIS TCB 3.5X16 TESTA D=8 ZNP      | Blechschraube ST 3.5X16-Z1-C ver  | VITE PANELVIT TCB 3.5X16 TESTA D |
| 2             | 263401          | TOP CARD MOT. COV. RY18           | GOUJ MOT. SUP CARTE RY18          | MOTORDECKEL HALTERUNG PLATINE RY  | CUB.MOT. SUP.TARJETA RY18        |
| 3             | NE05.038        | MICROSWITCH 30V 0.3A              | MICRO INTERRUPTEUR                | MIKROSCHALTER                     | MICROINTERRUTTORE 30V 0.3A       |
| 4             | 11007137        | BLACK GEAR Z=77 V/2 FOR RATIO     | ENGRENAGE Z=77 MOTORID.V2 P124 N  | Zahnrad Z=77 V2 P124 schwarz      | INGR.Z=77 MOTORID.V2 P124 NER.   |
| 5             | 9161.368        | MYLAR WASHER FOR RATIO MOTOR      | RONDELLE MOTOREDUCTEUR            | UNTERLEGSCHLEIBER GETRIEBEMOTOR   | RONDELLA MYLAR X MOTORIDUTTORE   |
| 6             | 9121.039        | STEEL PIN FOR RATIO MOTOR GEAR MA | STEEL PIN FOR RATIO MOTOR GEAR MA | STEEL PIN FOR RATIO MOTOR GEAR MA | PERNO INGR.MOTORID.MAGIC.ACC.    |
| 7             | 11005214        | MOTOR FOR RATIO MOTOR ASSY.       | MOTEUR AVEC CONDENSATEUR          | MOTOR GETRIEBE                    | AS.MOTORE MOTORIDUTTORE          |
| 8             | 11003037        | MOTOR FOR RATIO MOTOR ASSY.       | MOTEUR REDUCTEUR + CONDENSATEUR   | GServiceibemotor.V2 Talea, Ode    | AS.MOTORE MOTORID.C/COND.        |
| 9             | 9121.044        | ANTIVIBRATION FOR MOTOR           | AMORTISSEUR MOTEUR                | VIBRATIONSDAEMPFER                | ANTIVIBRANTE X MOTORE            |
| 10            | 148380200       | BAKELIZATE WASHER D=5.5           | RONDELLE D=5.5                    | DISTANZSCHEIBE BAKELIT            | RONDELLA D=5.5 IN TELA BAKELIZZA |
| 11            | 9121.046        | BRONZE SINTERED BUSH FOR MOTOR R  | JOINT DE MOTEUR                   | SINTERBUCHSE                      | BOCC.SINTERIZ.MOTORE MOTORID.BRO |
| 12            | 146002800       | GREY GEAR Z=13/90 FOR RATIO MOTOR | ENGRENAGE Z=13/90 MOTOREDUCTEUR   | Zahnrad Z=13/90 grau P124         | INGR.Z=13/90 MOTORID.P124 GRI.   |
| 13            | 11026258        | GREY RATIO MOTOR CASING WITH TUBE | CARCASSE MOTOREDUCTEUR AVEC CANA  | GEHAUSE GETRIEBE GRAU             | AS.CARC.MOTORID.C/CANALINO RYL G |
| 14            | 263400          | REDUCTION GEAR ASSEMBLY           | GRUPE MOTOREDUCTEUR               | BAUGRUPPE GETRIEBEMOTOR           | CONJUNTO MOTORREDUCTOR           |





| N.POSI<br>COD | I - DESCRIZIONE                                | UK - DESCRIPTION                  | F - DESCRIPTION                  | D - BEZEICHNUNG                   | E - DESCRIPCION                   |
|---------------|--|-----------------------------------|----------------------------------|-----------------------------------|-----------------------------------|
| 1             | 11021334<br>GUARN.DE=11 DI=8 SP=1,4 X CONT     | BLK COUNTERPISTON SEAL DE=11 DI=  | GARNITURE CONTRE PISTON          | Dichtung DE=11 DI=8 SP=1,4 zu Ko  | GUARN.DE=11 DI=8 SP=1,4 X CONTRO  |
| 2             | 11003789<br>MANICOT.USCITA CAF.GRUP.ROYAL      | BLACK COFF OUTLET SLEEVE BREW UN  | RACCORD SORTIE CAFE ROYAL        | Kaffeauslaßrohr Brühgruppe ROD    | MANICOT.USCITA CAF.GRUP.ROYAL NE  |
| 3             | 9161.222<br>MOLLA CONICA INOX                  | SS CONICAL SPRING                 | RESSORT CONIQUE                  | FEDER ZU CREMAVENTIL              | MOLLA CONICA INOX                 |
| 4             | 421944034451<br>SFERAD.5 MM IN BORO. SILICATO  | BOROSILICATE SPHERE D.5 MM        | SPHERE D.5 MM                    | BOROSILICATE SPHERE D.5 MM        | BOROSILICATE SPHERE D.5 MM        |
| 5             | 12002170<br>VITE TCB 3X16 TORX 10 PLAST.IN     | SCREW TCB TORX 10 3X16 PLAST SS   | SCREW TCB TORX 10 3X16 PLAST SS  | SCREW TCB TORX 10 3X16 PLAST SS   | VITE TCB 3X16 TORX 10 PLAST.INOX  |
| 6             | 147472850<br>PERINO X DOCCIA NERO              | PIN BLACK FOR PERCOLATOR          |                                  |                                   |                                   |
| 7             | NF11.067<br>INS.PERNO BLOCCAG.DOCCIA OT.       | BRASS INSERT FOR PERCOLATOR LOCK  |                                  |                                   |                                   |
| 8             | 140324461<br>OR ORM 0060-20 TERMOIL            | OR ORM 0060-20 TERMOIL            | JOINT ORM 0060-20                | O- RING 0060-20                   | OR ORM 0060-20 TERMOIL            |
| 9             | 11003796<br>CONTROPIST.GRUP.M5000 NER.         | BLACK BREW UNIT COUNTERPISTON M5  | CONTREPISTON GROUPE CAFE         | Anpresskolben Brühgruppe schwarz  | CONTROPIST.GRUP.M5000 NER.        |
| 10            | NM01.044<br>OR ORM 0320-40 SILICONE PTFE/FDA   | OR ORM 0320-40 SILICONE PTFE/FDA  | JOINT OR 0320-40 SILICONE        | O-RING ORM 0320-40                | OR ORM 0320-40 SILICONE PTFE/FDA  |
| 11            | 9161.075<br>AS.DOCCIA DE=35.8 ELFO C/VITE      | PERCOLATOR DE=35.8 ELFO ASSY.     | GRILLE D 35.8                    | Sieb (geätzt) kpl. mit Stift      | AS.DOCCIA DE=35.8 ELFO C/VITE E   |
| 12            | 11003077<br>AS.PIST.INTEGR.GRUP.8GR.NER.       | BLK BREW UNIT INTEGRAL PISTON 8G  | PISTON GROUPE CAFE P124 8GR      | BRÜHKOLBEN UNTEN                  | AS.PIST.INTEGR.GRUP.8GR.NER.      |
| 13            | 9161.198<br>MOLLA PIST.GRUP.8GR.INOX           | SS 8GR BREW UNIT PISTON SPRING    | RESSORT DU PISTON                | FEDER ZU KOLBEN                   | MOLLA PIST.GRUP.8GR.INOX          |
| 14            | 9161.191<br>BOC.PIST.GRUP.8GR.-12GR.BIA.       | WHITE 8GR-12GR BREW UNIT PISTON   | RONDELLE DE BLOCAGE DU PISTON    | ARRETIERHÜLSE                     | BOC.PIST.GRUP.8GR.-12GR.BIA.      |
| 15            | 227470150<br>AS.PERNO X DOCCIA COMPLETEO NER   | PIN BLACK ASS FOR PERCOLATOR      | AXE DE GRILLE                    | Siebhalterung schwarz Brühgruppe  | AS.PERNO X DOCCIA COMPLETEO NER   |
| 16            | 11036010<br>AS.GEN.PISTONE INTEGR.GRUP.CAF     | BRW 8GR BREW UNIT NTEGR.PISTON G  | PISTON GROUPE CAFE 8GR           | BRW 8GR BREW UNIT NTEGR PISTON G  | AS.GEN.PISTONE INTEGR.GRUP.CAF 8  |
| 17            | NM02.018<br>OR ORM 0090-25 TERMOIL             | OR ORM 0090-25 TERMOIL            | JOINT ORM 0090-25 EPDM           | O-Ring ORM 0090-25 EPDM           | OR ORM 0090-25 TERMOIL            |
| 18            | 11001556<br>MOLLA RASAT.H=49 GRUP.CAF.SMAR     | SS BREW UNIT SPRING H=49 SMART    | RESSORT RACLEUR                  | EINRASFEDER H=49 BG               | MOLLA RASAT.H=49 GRUP.CAF.SMART   |
| 19            | 4219444014611<br>VITE TCBR 3.5X14 PLAST.INOX   | BLK COF.CONTAIN.BREW UNIT V2 M500 | CHAMBRE GROUPE CAFE NOIR V2 M500 | BLK COF.CONTAIN.BREW UNIT V2 M500 | BLK COF.CONTAIN.BREW UNIT V2 M500 |
| 20            | 129912521<br>BIELLA GRUP.8GR.NER.              | BIELLE NOIRE                      | BIELLE NOIRE                     | SCHRAUBE 3.4X14                   | BIELLA GRUP.8GR.NER.              |
| 21            | 11003078<br>TRAMOG.GRUP.M5000 NER.SER.PRES     | BLACK CONNECTING ROD BREW UNIT 8  | ENTONNOIR GROUPE CAFE M5000      | Trichter Brühgruppe schwarz MA    | TRAMOG.GRUP.M5000 NER.SER.PRESS   |
| 22            | 11003795<br>MOLLA RASAT.H=49 GRUP.CAF.SMAR     | SS SCRAPER SPRING FOR BREW UNIT   | RESSORT D'ARRASAGE               | DRUCKFEDER                        | MOLLA RASAT.H=49 GRUP.CAF.SMART   |
| 23            | 9161.046<br>AS.CONT.CAF.GRUP.8G.P124 NER.      | BLACK BREW UNIT COFFEE CONT.P124  |                                  | BOHNEBEHALTER KPLT.SCHWARZ 8 GR   | AS.CONT.CAF.GRUP.8G.P124 NER.     |
| 24            | 11004570<br>MANICOT.ENTRATA ACQ.GRUP.ROYAL     | BLACK WATER INLET SLEEVE BREW UN  | PIPETTE ENTREE D'EAU             | WASSEREINLAUFSTUTZEN BG           | MANICOT.ENTRATA ACQ.GRUP.ROYAL N  |
| 25            | 9161.064.050<br>OR 2025 TERMOIL                | OR 2025 IN TERMOIL                | JOINT 2025 TERMOIL               | O-RING 2025 EPDM                  | OR 2025 TERMOIL                   |
| 26            | NM02.007<br>PIAS.POS.V2 GRUP.M5000 NER.        | BLACK BREW UNIT REAR PLATE V2 M5  | PLAQUE ARRIERE GROUPE CAFE       | BLACK BREW UNIT REAR PLATE V2 M5  | BLACK BREW UNIT REAR PLATE V2 M5  |
| 27            | 421941158532<br>VITE TCB 3X25 PLAST.INOX       | SCREW TCB TORX 10 3X25 PLAST.SS   | VIS TCB TORX 10 3X25 Plast.Ss    | TORXSCHRAUBE 3X25                 | VITE TCB 3X25 PLAST.SS            |
| 28            | 12000550<br>BLOC.FORATO GRUP.PANNER.           | BLACK BREW UNIT DRILLED BLOCK     | ENTRETOISE NOIRE                 | Gleitstück Brühgruppe schwarz     | BLOC.FORATO GRUP.PANNER.          |
| 29            | 9161.094.050<br>ALBERO A GOMITO GRUP.M5000 NER | BLACK BREW UNIT ELBOW SHAFT M500  | ARBRE DU GROUPE                  | KURBELWELLE                       | ALBERO A GOMITO GRUP.M5000 NER.   |
| 30            | 9161.066.050<br>RASATORE GRUP.M5000 NER.       | BLACK SCRAPER FOR BREW UNIT M500  | RACLEUR GROUPE                   | ABS TREIFER                       | RASATORE GRUP.M5000 NER.          |
| 31            | 11004161<br>PIAS.ANT.GRUP.M5000 NER.           | BLACK BREW UNIT FRONT PLATE M500  | PLAQUE ANT. GROUPE M5000 NOIR    | Seitenteil Brühgruppe rechts MA   | PIAS.ANT.GRUP.M5000 NER.          |
| 32            | 11003793<br>PIAS.AGGANC.GRUP.NER.              | BLACK BREW UNIT COUPLING PLATE    | PLAQUE FIXATION DU GROUPE        | Verschluß Brühgruppe schwarz MA   | PIAS.AGGANC.GRUP.NER.             |
| 33            | 11004114<br>MOLLA IMPUGNAT.GRUP.M5000          | SS BREW UNIT HANDGRIP SPRING M50  | RESSORT POIGNEE DE GROUPE        | Feder Brühgruppenentriegelung MA  | MOLLA IMPUGNAT.GRUP.M5000         |
| 34            | 9161.075<br>IMPUGN.GRUP.M5000 NER.             | BLACK BREW UNIT HANDGRIP M5000    | POIGNEE DU GROUPE                | Hebel Brühgruppenentriegelung sc  | IMPUGN.GRUP.M5000 NER.            |
| 35            | 11003800<br>GRUPPO CAFE' NERO                  | BLACK BREW UNIT                   | GROUPE CAFE                      | BRÜHGRUPPE KPLT.                  | GRUPPO CAFE' NERO                 |
| 36            | 11003800<br>VITE TCB TORX 3.5X20 PLAST.INO     | SCREW TCB TORX 10 3.5X20 PLAST.S  | VIS TCB TORX 10 3.5x20 Plast.Ss  | TORXSCHRAUBE3.5X 20               | SCREW TCB TORX 10 3.5X20 PLAST.S  |
| 37            | 12000897                                       |                                   |                                  |                                   |                                   |



Il Costruttore si riserva il diritto di modificare, senza preavviso, le caratteristiche delle apparecchiature presentate in questa pubblicazione; declina inoltre ogni responsabilità per le eventuali inesattezze imputabili ad errori di stampa e/o trascrizione contenute nella stessa.

Le istruzioni, i disegni, le tabelle e le informazioni in genere contenute nel presente fascicolo sono di natura riservata e non possono essere riprodotte ne completamente ne parzialmente od essere comunicate a terzi senza l'autorizzazione scritta del Costruttore che ne ha la proprietà esclusiva.

The manufacturer reserves the right to modify, without prior notice, the characteristics of the equipment described in this publication; and further declines to accept any responsibility for any inaccuracies contained in this publication which can be ascribed to printing and/or transcription errors.

All instructions, drawings, tables and information contained in this publication are confidential and can neither be reproduced, completely or in part, nor be transmitted to third parties without the written permit of the Manufacturer, who has the sole ownership.

Le fabricant se réserve le droit de modifier, sans préavis, les caractéristiques des appareils présentes dans cette publication; en outre, elle decline toute responsabilité pour d'éventuelles inexactitudes imputables à des erreurs d'impression et/ou de transcription.

Tous droits de reproduction, complète ou partielle, des instructions, des dessins, des tableaux et de toutes les informations contenues dans cette publication sont réservés. Aucune communication à un tiers ne peut être faite sans une autorisation par écrit du Constructeur qui en a la propriété exclusive.

Der Hersteller behält sich das Recht vor, die Eigenschaften der hier beschriebenen Geräte ohne Voranzeige zu ändern und lehnt gleichzeitig jede Verantwortung für mögliche Unrichtigkeiten ab, die auf Druckfehler oder Abschreibfehler zurückzuführen sind.

Alle Anweisungen, Zeichnungen, Tabellen und Informationen, die im allgemeinen im vorliegenden Band enthalten sind, müssen als vertraulich betrachtet werden und können weder teilweise noch vollständig reproduziert bzw an Dritte ohne die schriftliche Ermächtigung des Herstellers weitergegeben werden, der das Alleineigentum besitzt.

El Constructor se reserva el derecho de modificar, sin previo aviso, las características de los aparatos presentados en esta publicación; además declina toda responsabilidad por los eventuales inexactitudes imputables a errores de imprenta y/o transcripción contenidos en la misma.

Las introducciones, los dibujos, las tablas y las informaciones en general contenidos en este fascículo son de tipo reservado y no se pueden reproducir, completamente o en parte, ni comunicar a terceros si la autorización escrita del Fabricante, el cual tiene la propiedad exclusiva.

