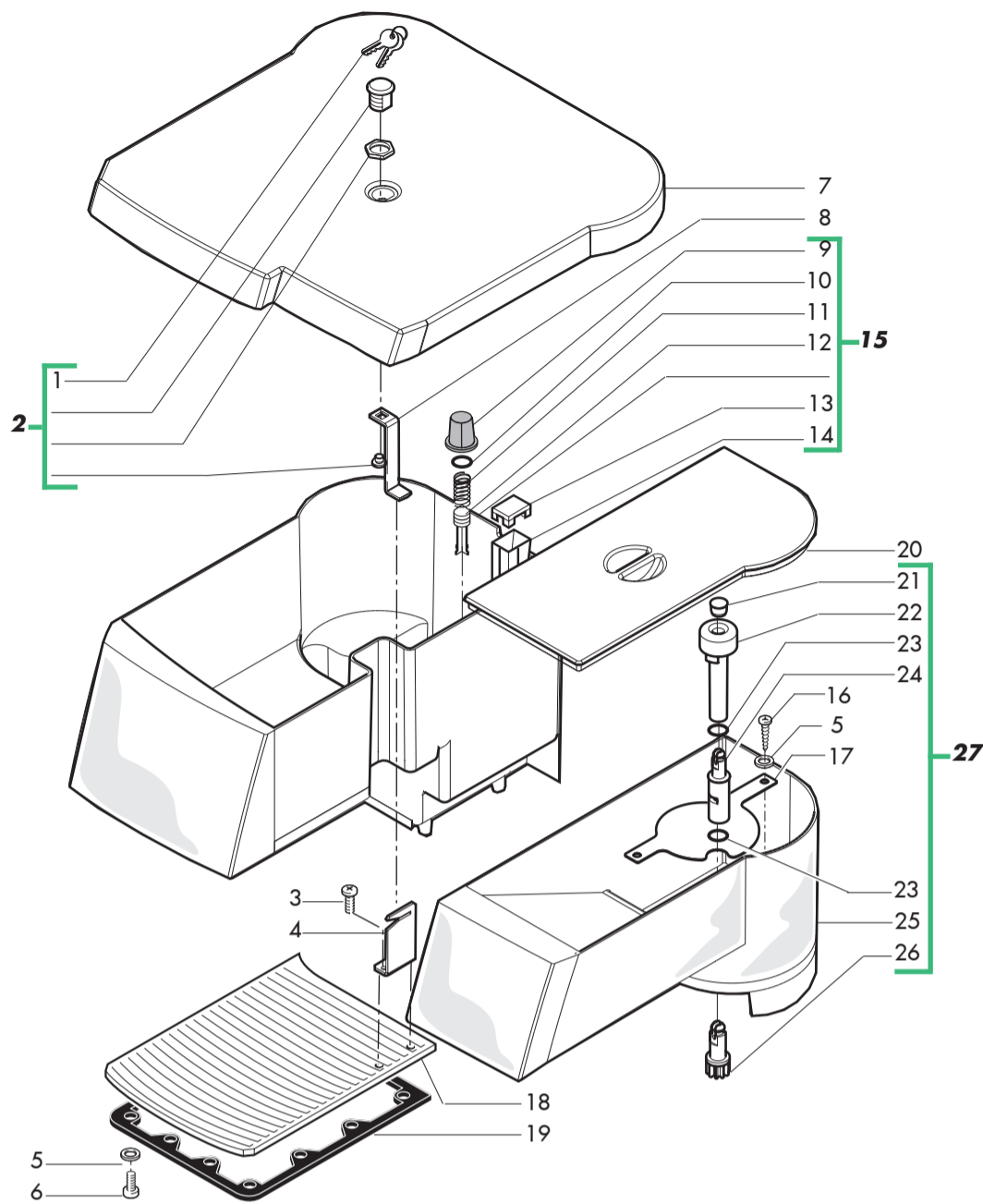


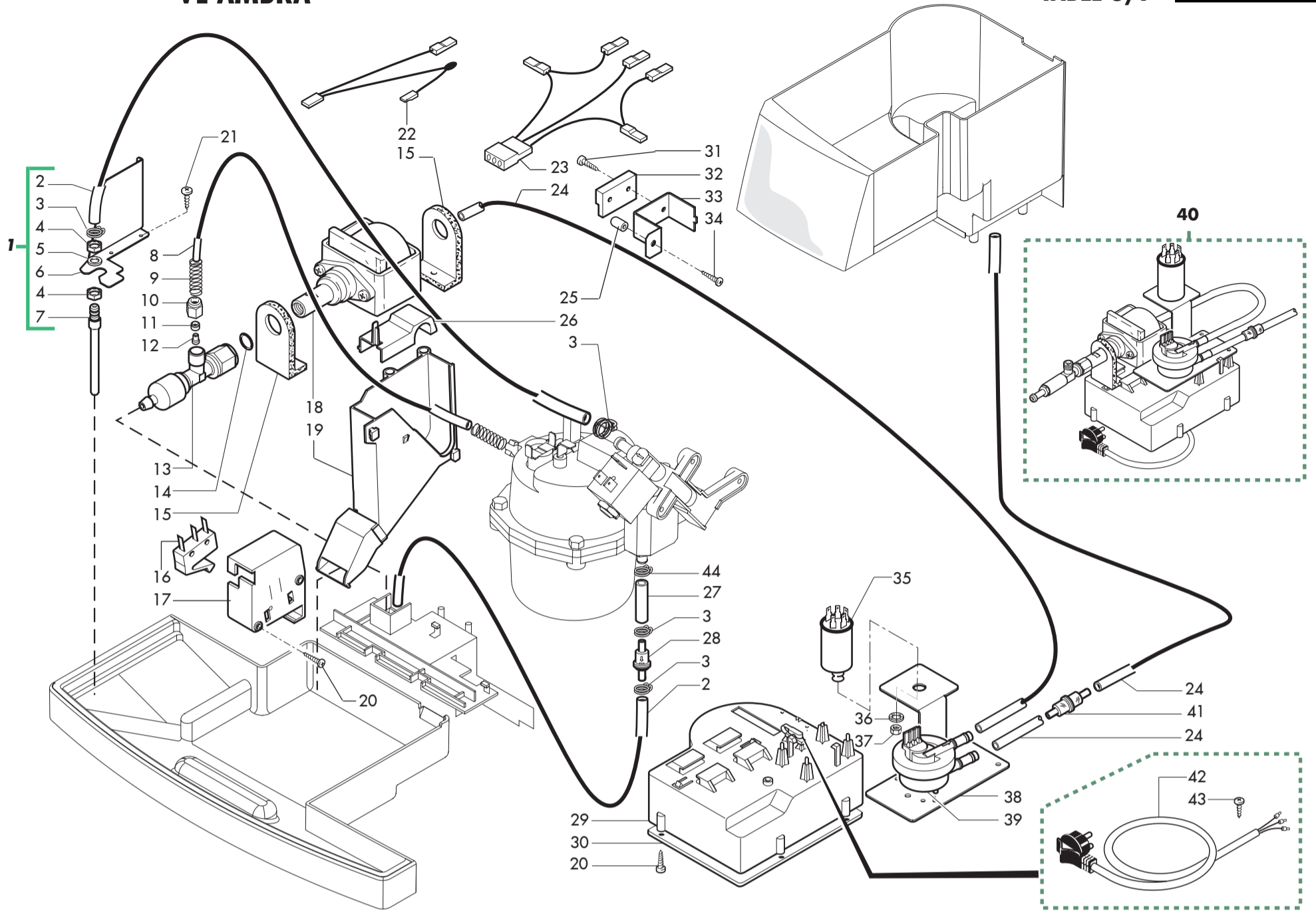
Pos. Code	Description	Note
1	9972.100	Silicone tube brown 5x8 l.115 mm
2	11003705	Connector 90° dispenser brown
3	11003207	Fix dispenser support
4	0327.037	Spring for dispenser
5	0301.052	Seal for dispenser screw
6	0301.050	Screw m3 for dispenser
7	11003703	Mobile dispenser ass. black
8	11003702	Dispenser ass. black
9	0301.033.150	Tank casing grey
10	129670202	Tcb panelvit screw 3,5x16 testa d=8 znp
11	11003680	Beige dispenser lid
11	0312.009.770	Dispenser lid silver
12	11003681	Grate beige
12	0333.005.770	Painted grate
13	11003706	Drip tray beige
13	0333.006.770	Drip tray silver
14	145500211	Red float for seb gran caffe'
15	U143.015	Panelvit tcb 3,0x12 torx black
16	11003710	Connector lid beige
16	0333.026.770	Connector lid silver
17	129511903	Screw tcb 2,9x6,4 din 7981 bz nick
18	0333.025	Connector support
19	NE05.018	Microswitch
20	U109.005	screw aut.tcb 3,5x16 din 7981 c
21	11003686	Beige cap
21	0333.044.280	Cap
22	11003683	Casing royal lid silk-screen beige
22	11008504	Casing royal lid silk-screen silver
23	11003685	Beige closing cap
23	0333.043.280	Closure rubber
24	11003713	Cup adhesive label
25	11003688	Cap for faucet hole
26	11003689	Beige cap for steam tube hole
26	0333.021.280	Rubber for steam tube hole
27	11003668	Casing assembly ambra beige
27	11008502	Casing assembly ambra silver
28	0313.006.050	Switch cover black
29	11008962	Adhesive delta food service beige
29	11023550	Adhesive delta food service silver
30	11003208	Coffee convey
31	U109.014	screw aut.tcb 2,9x16 din 7981 c
32	U110.005	screw aut.tcb 3,9x9,5 din 7981 f
33	11003714	Beige drawer trust

Pos. Code	Description	Note
33	0312.032.770	Dump box painted silver
34	147623150	Black square adhesive foot 5023
35	0701.031.150	Seal cover grey
36	145842900	Water contain.valve seal gaco dim14
37	0701.014.150	Seal container grey
38	129532521	Screw tsp2,9x9,5 din 7982 ss
39	140320461	Or orm 0080-20 in termoil
40	129512921	Screw tcb torx 10 2,9x13 sheet ss
41	11003687	Beige lid doser
41	0312.008.770	Doser lid
42	12000641	Molveno waterproof gw assembly switch
43	0301.019	Peg for door superautom.
44	11003645	Micro switch cardboard
45	NE17.013	Cable retainer itw 20-0600-1100
46	12000511	Microswitch door safety g3g4t1rc4ul
47	12000390	Screw aut.tcb 2,9x25 din 7981 c nik
48	11003721	Spacer for door micro
49	U109.040	screw aut.tcb 3,9x32 din 7981 c
50	11003353	Lever micro
51	NV01.008	Hood for dispen.compartment spring
52	9161.140	Seal for unit plate
53	0701.R29	Key ka 35
54	NV02.095	Door lock viro
55	11008963	Adhesive delta food service
56	0333.037	Lock bracket
57	11003669	Door assembly ambra beige
57	11008503	Ass.door ambra silver
57	11010850	Door assembly ambra delta beige
57	11023547	Door assembly ambra delta silver
58	0301.020	Pin for door superautomatica
59	11003209	Coffe group support case
60	11023539	Logo adhesive saeco ambra silver



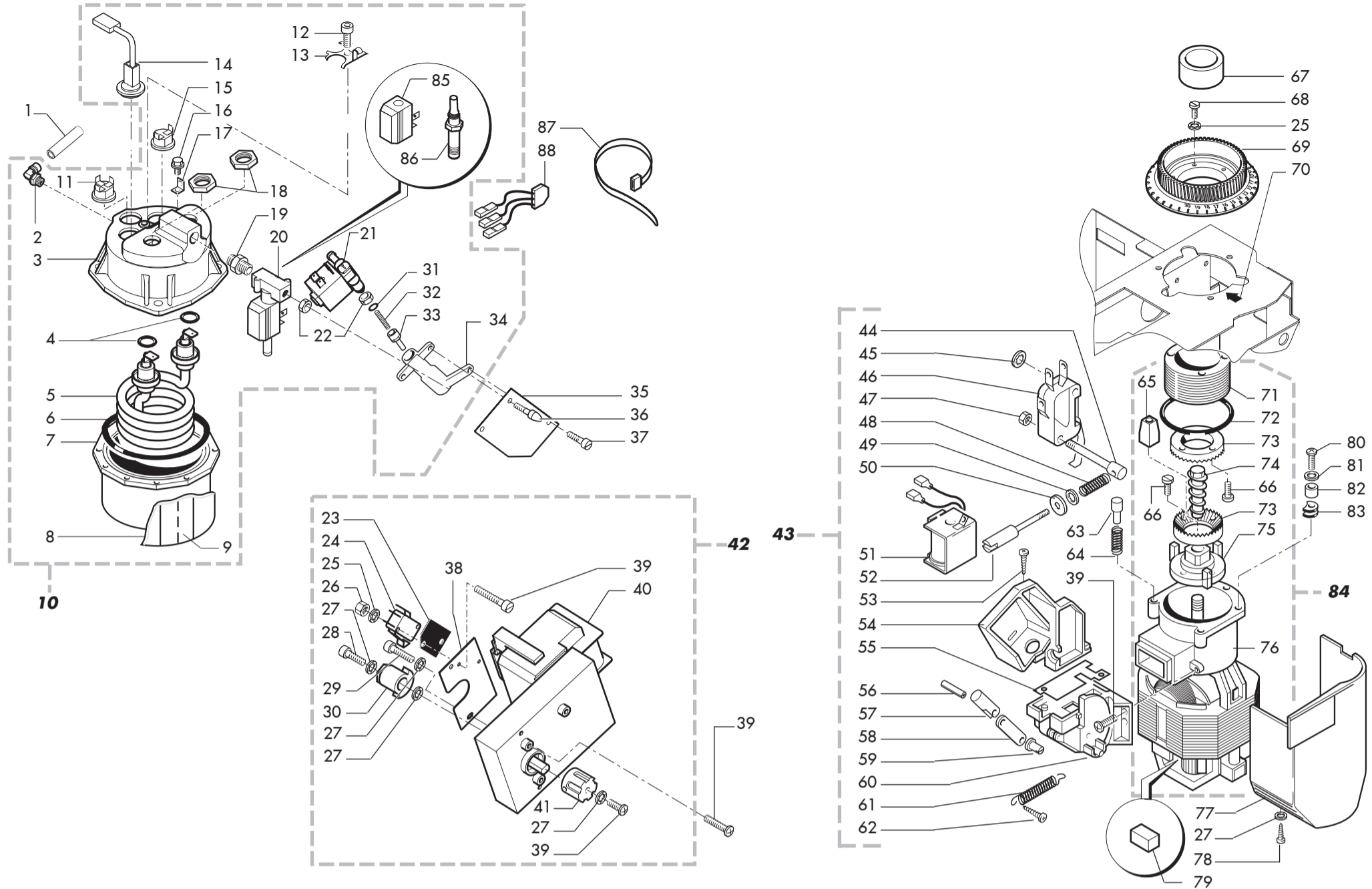
Pos. Code	Description	Note
1	0701.R29	Key ka 35
2	NV02.095	Door lock viro
3	U127.003	screw tapt.tcb m4,0x6 din 7500c
4	0333.016	Bracket coupling support
5	U201.005	Plain washer 4,3x12 din 7349 gal
6	129573402	Screw tapt m4x10 din 7985 galv
7	11003712	Main lid beige
7	0333.003.770	Main lid
8	0333.015	Coupling bracket
9	224640200	External filter for water container assy
10	NM01.032	Red silicone or orm 0060-30
11	9161.110	Spring for piston for superautom.
12	9111.027.150	Grey piston for water container
13	9161.050.230	Nat/transp.cap for floating space magic
14	9161.112.150	Level float grey
15	11003691	Water tank without silk-screen
16	U109.042	screw aut.tcb 3,9x38
17	11003677	Cap protection coffee container
18	0333.051.050	Cup warmer plate office black
19	0312.014	Cupwarmer seal
20	0333.004.050	Coffee cont.lid
21	149213059	Grey cap for knobs bean container
22	147717450	Black grind.adjustm.knob n/s/scr.g100
23	140320461	Or orm 0080-20 in termoil
24	11003202	Supportv grinding adjustment knob
25	11003205	Coffee container
26	146001950	Coffee dose adj.gear black smart
27	11003701	Coffee tank assembly

Pos. Code	Description	Note
-----------	-------------	------



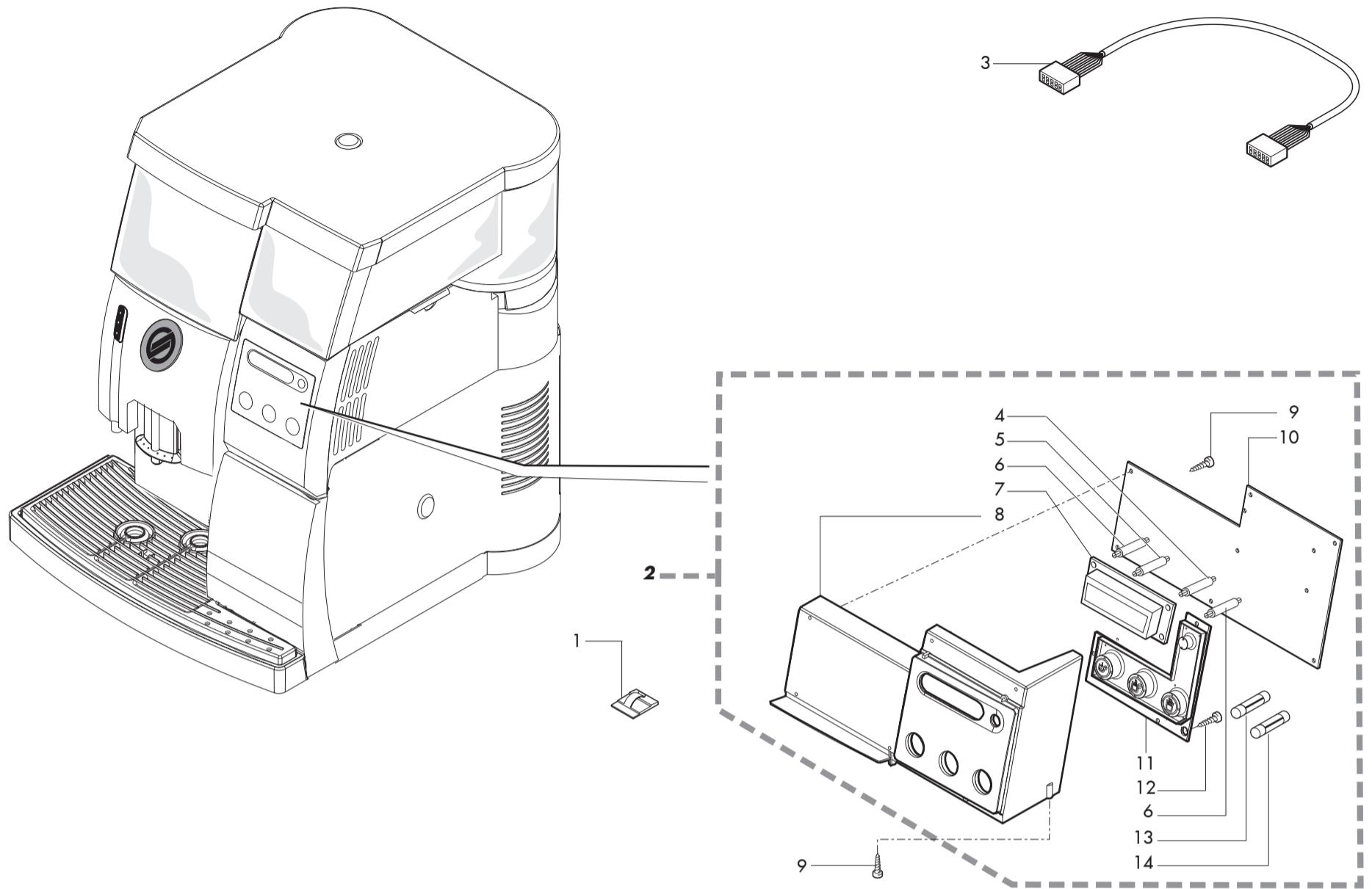
Pos. Code	Description	Note
1	11004523	Water tube assembly ambra
2	9972.022	Silicone tubr 5x8 l.2mt
3	184320200	Spring hose clamp d=9,5mm
4	123270202	Nut m8 low uni 5589 -a-6s galvanized
5	U207.012	Plain washer 10.5x18 uni 6592 gal
6	0333.024	Sheet metal protection
7	11003676	Hot water tube
8	9971.015	Teflon tube 4x6 l.2 mt
9	11005782	Spring di=6,5 l=80 for tube teflon
10	9991.007	"nut for connector 1/8""
11	9991.008	External bush d.6
12	9991.009	Inside bush d.4
13	11005590	Safety valve/non return ass. new
14	140321961	Or 2031 in termoil
15	149185850	Eaton pump support 4002012 magic
16	NE05.038	Microswitch
17	11003203	Microswitch drawer
18	9070.042.00A	Ulka pump ex5 sd1
19	11003694	Drain channel ass.coffee
20	129670202	Tcb panelvit screw 3,5x16 testa d=8 znp
21	U110.003	screw aut.tcb 3,5x9,5 din 7981 f
22	0368.820	Harness with klixon pump
23	11003632	3 pole connector system payment
24	9972.247	Silicone tube 5x10 l.2000 mm
25	NV01.008	Hood for dispen.compartment spring
26	9161.262.060	Drip channel cover
27	11000754	4,2x8,2 silicon tube l=120 mm
28	12000097	Oneway valve presblock rvnrph0505/sa
29	0301.056.150	Power cable cont. vde grey
30	0301.055.150	Lid for power cable cont. grey
31	U110.010	Screw aut.tcb 2,9x6,5 din 7981 f
32	0368.818	2 pole connector
33	11003354	Reed support
34	U110.004	screw aut.tcb 3,5x6,5 din 7981 f
35	184651500	Locking screw antidisturb filter 16a
36	U208.009	Toothed washer 8,4x15 uni 3703
37	U302.007	nut hexagonal m8 uni 5588
38	11003675	Plate support filter
39	NV99.099	Turbine d=1,2 932-8521/00 assy.
40	11003720	Pump ass. ambra 230v schuko
41	144650300	Aspiration filter gauze net 500 (new)
42	NE01.061	Black cable schuko h05 1 mm
43	U140.009	Panelvit tcb 3,0x16 din 7505 b gal

Pos. Code	Description	Note
44	NV99.036	Hoseclamp d=8,5 09993.41.00



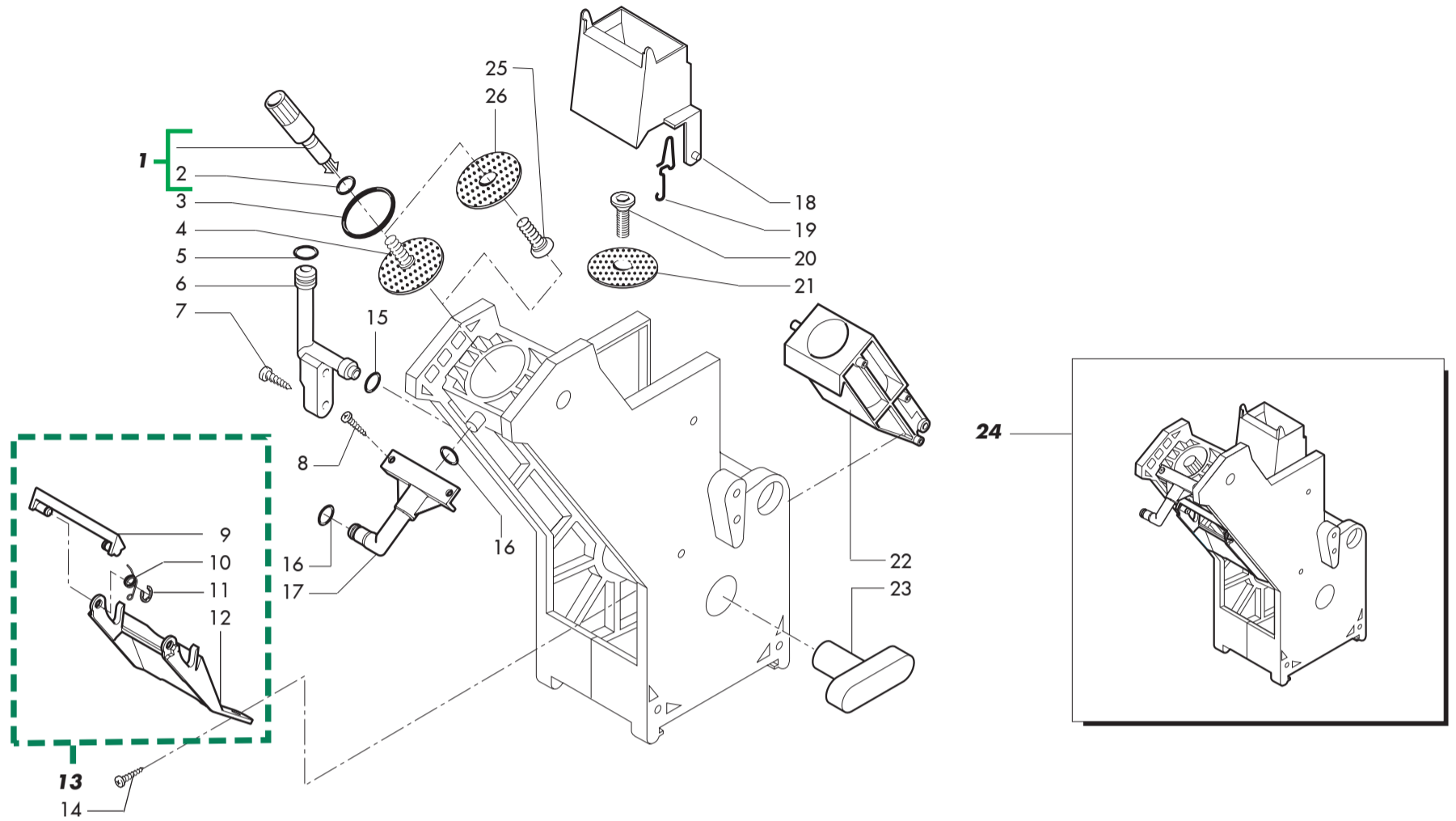
Pos. Code	Description	Note
1	9971.015	Teflon tube 4x6 l.2 mt
2	NR10.014	"connector 1/8" d.6 revolving"
3	11002259	Upper doser casing m6 tea
4	11000972	Or 3050 fkm 80 fd peroxidica
5	9011.255.00A	Res cald.v230 w1000
6	NM04.010	Or orm 0730-40 fpm 70+-5 irhd black
7	11006075	Lower body boiler m6
8	11004800	Ambra boiler isolator
9	9991.161	Water +steam boiler strap l=250 mm
10	11003695	Ass.boiler brass 230v double e.v.ambra
11	189428700	Thermostat 175° 1nt-15l-5126
12	12001052	Screw tcei m4,0x6 uni 5931 zin
13	226830200	Retain.spring 3 therm. +thermal fuse
14	11005389	Ass.sensor for ambra
15	NE09.021	Thermostat 150°nc faston 90°
16	U023.020	Screw tcei m6x20 uni 5931 zin
17	NE15.031	Male tongue plain 6,3 d.6,3
18	9991.029	Nut for resistor
19	NR07.001	Standard nipple mm 1/8 x1/8 brass
20	11004637	Electrovalve 3 way ambra 230v
21	9121.036.00A	2 way solenoid valve 230v
22	9991.035	Nut 1/8 h 4.5
23	11003645	Micro switch cardboard
24	NE05.002	Microswitch
25	U208.002	Toothed washer 3,3x5,8 uni 3703 g
26	U302.002	nut hexagonal m3 uni 5588
27	128310404	Washer uni 8842 a4 burnished
28	U023.011	screw tcei m4,0x10 uni 5931 ss a
29	129825502	Tcb screw m4x25 uni 7687 znp
30	9991.037	Cam for ratiomotor 1 micro
31	140321462	Or 2018 in silicone
32	126765317	Steel spring boiler piston magic
33	9019.A01	Pin ass.
34	9161.213	Boiler teflon support
35	9111.473	Insulator for boiler support
36	9011.005	Peg for boiler
37	U044.013	screw tpc m4,0x12 uni 7688 galv.
38	9991.015	Plate for micro
39	129824002	Tcb screw m4x10 uni 7687 znp
40	11003708	Motoreducer 230v right connector chambe
41	9991.013	Joint for ratiomotor
42	11003707	Ratiomotor ass. 230v
43	11005514	Coffee doser ass.ambra 9gr.230v mod.
43	11005531	Coffee doser ass.230v mod.
44	9161.007	Pin for fixing micro
45	NF13.006	Ring for pin d.3 quicklock zinc

Pos. Code	Description	Note
46	NE05.058	Doser micro n.v.
47	U310.001	nut self lock.m3 uni 7473
48	126762318	Spring for dosage adjust. doser
49	U207.003	Plain washer 3,2x7 uni 6592 gal
50	9161.009	Space for regulation pin
51	9129.A01.00A	Coffee doser coil ass.230v
52	9161.006	Pin for regulation micro
53	129511903	Screw tcb 2,9x6,4 din 7981 bz nick
54	9161.001.060	Doser support brown
55	9161.361	Mylar guard for microbatcher
56	U406.001	Elastic pin 3,0x8 uni 6873
57	9161.011	Piston for magnet
58	147570100	Doser doorpla. brown
59	9161.010.060	Pin brown
60	9161.017.060	Doser casing brown
60	9161.218.150	Doser casing 9 gr. grey
61	9161.005	Spring for dispenser door
62	U109.006	screw aut.tcb 2,2x9,5 din 7981 c
63	9141.005	Knob pin
64	126769118	Spring for knob stop pin (h=19)
65	123450208	Square cap nut for motor
66	129761402	Tc screw m3x8 uni 6107 znp
67	11007280	Insulator tube coffee container
68	U043.007	screw tcb m3,0x8 uni 7687 galv.
69	1813.103.A20	Ring nut of grind regulation
70	0701.954	Adhesive arrow
71	9141.008	Knob adjustment screw
72	140321560	Or 3187 in nbr
73	126520119	Grinder for motor type battistini
73	9141.081	Flat mill d.43 titanium
74	11005221	Short incremental screw
75	9141.007	Fan
76	9140.002.00A	Motor ass.with cap 230v
77	9141.014.060	Motor protection casing brown
78	U109.016	screw aut.tcb 3,9x13 din 7981 c
79	0701.R34	Motor brush
80	U043.004	Zn-b tcb screw m4x16
81	U207.002	Plain washer 4,3x9 uni 6592 gal
82	9141.003	Spacer for rubber
83	9991.005	Rubber for coffee grinder
84	11005320	Coffegrinder motor 220/230v ambra assy.
85	20006551	Spare part solenoid coil x 11004637
86	20006550	Nucleus olab 230v e.v. ambra
87	NF11.002	Self lock strip w=2.5 l=98
88	11013369	Connettore raddrizzatore a ponte diodi



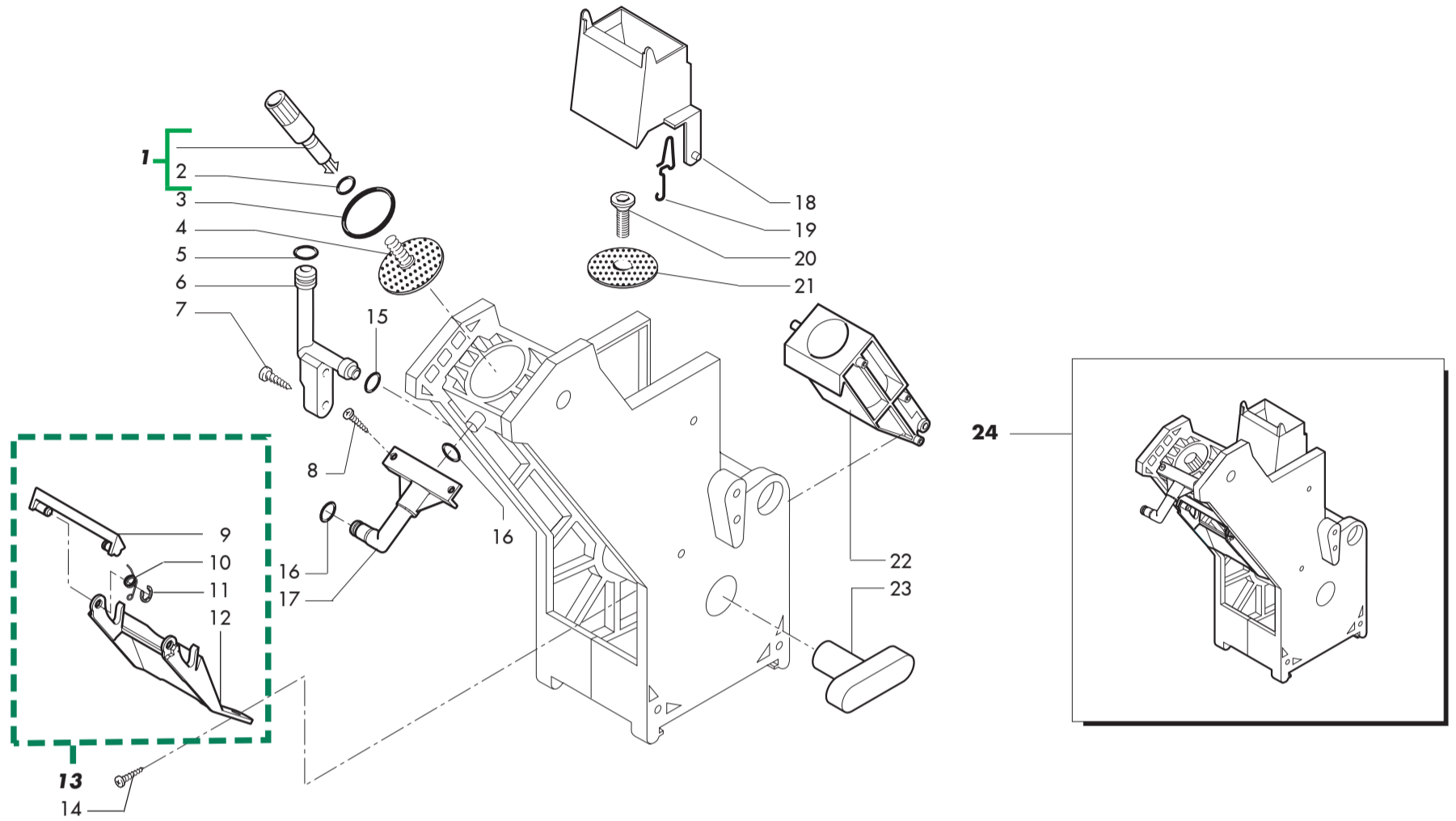
Pos. Code	Description	Note
1	NE17.002	Adh.cable retai.round cable d=10mm
2	20000640	Spares ass.electronic ambra 230v
2	20006887	Spares ass.electronic ambra 230v
3	0368.808	Flat connection cards
4	NL04.005	Richco spacer mspm-5-01 bd
5	NL04.004	Richco spacer mspm-7-01 bk
6	NL04.006	Richco spacer mspm-6-01
7	0347.816	Display for royal redesign
8	11003664	Electronics support with lens s/screened
8	11008505	Electronics support with lens s/screened
9	129913902	Screw tcb torx 10 3x12 plast.zn-b
10	11003568	Cpu+sw as.superoffice 230v
11	11003750	Touch panel ambra
11	11023552	Touch panel ambra blk
12	129913202	Screw tcb torx 10 3x8 plast.zn-b
13	12000680	Fuse 5x20 t400ma delayed
14	NE13.044	Fuse 5,0x20 8a 250v delayed

Pos. Code	Description	Note



Pos. Code	Description	Note
1	9169.A14.060 Pin for percolator brown	
2	NM02.006 Or r5 termoil	
3	140322061 Or 4112 in epdm	
4	324000100 Ss percolator d=34 screw for unit	up to s.n.TI9010023002975
5	140320461 Or orm 0080-20 in termoil	
6	322000501 Waterflow piston brown	
7	129512921 Screw tcb torx 10 2,9x13 sheet ss	
8	U109.014 screw aut.tcb 2,9x16 din 7981 c	
9	9111.537.060 Brown scraper coffee group	
10	9111.520 Spring for scraper section 0.6	
11	U701.006 Snap ring 3,2 uni 7434	
12	9111.539.060 Fork for scraper	
13	9110.067.060 Scraper ass.for cappuccinat. tube	
14	U110.013 screw aut.tcb 3,9x6,5 din 7981 f	
15	140321462 Or 2018 in silicone	
16	NM02.017 Or orm 0055-15 termoil	
17	11003206 Coffee outlet sleeve	
18	322001201 Mobile scraper brown narrow	
19	9161.425 Spring for scraper	
20	129851921 Tsp screw m3x6 uni 7688 ss	
21	324000200 Ss percolator d=34 for unit	
22	222711101 Gr cof.cont.bro.d=36 w/o holes ras	
23	9161.021.060 Key for brew unit brown	
24	11003693 Coffee group 7gr assembly with sleeve	up to s.n.TI9010023002975
24	11024856 Coffee group 7gr assembly with sleeve	from s.n.TI9010023002976
25	129852821 Tsp screw m3x14 uni 7688 ss	from s.n.TI9010023002976
26	11012630 Percolator d.34	from s.n.TI9010023002976

Pos. Code	Description	Note
-----------	-------------	------



Pos. Code	Description	Note
1	9169.A14.150 Pin fop percolator grey	
2	NM02.006 Or r5 termoil	
3	NM01.044 Or orm 0320-40 in silicone ptfе/fda	
4	9161.036 Upper percolator for unit	
5	140320461 Or orm 0080-20 in termoil	
6	322000559 Water flow piston grey	
7	129512921 Screw tcb torx 10 2,9x13 sheet ss	
8	U109.014 screw aut.tcb 2,9x16 din 7981 c	
9	9111.537.150 Grey scraper coffee group	
10	9111.520 Spring for scraper section 0.6	
11	U701.006 Snap ring 3,2 uni 7434	
12	9111.539.150 Fork for scraper	
13	9110.067.150 Scraper ass.for cappuccinat. tube	
14	U110.013 screw aut.tcb 3,9x6,5 din 7981 f	
15	140321462 Or 2018 in silicone	
16	NM02.017 Or orm 0055-15 termoil	
17	11003206 Coffee outlet sleeve	
18	322001259 Mobile scraper grey narrow	
19	9161.425 Spring for scraper	
20	129851921 Tsp screw m3x6 uni 7688 ss	
21	9161.037 Lower percolator for unit	
22	11002626 Ass. coffee container grey 9 gr.	
23	9161.021.060 Key for brew unit brown	
24	11004638 Coffee group assembly 9 gram with sleeve	

Pos. Code	Description	Note