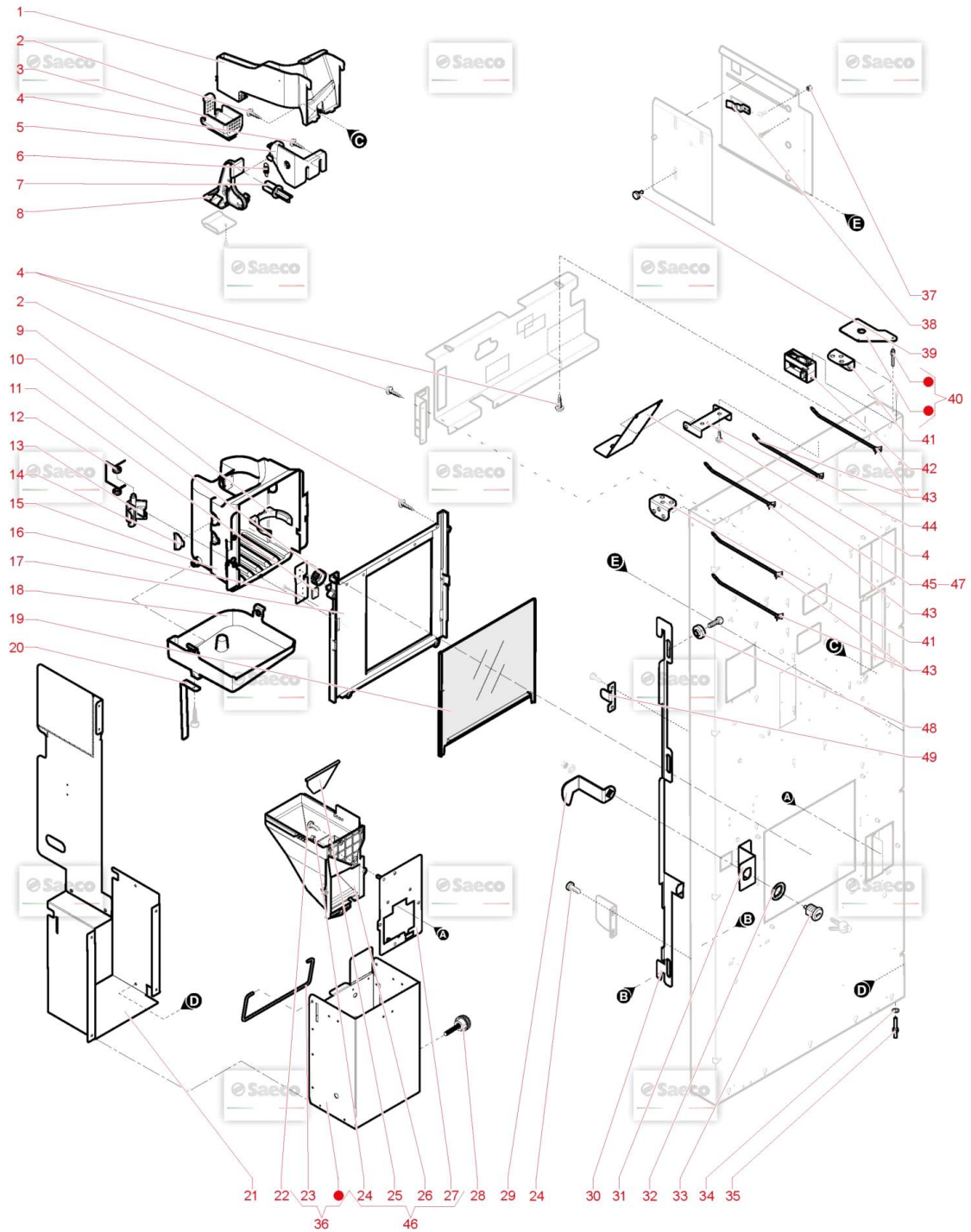


Pos.	Item	Repl. by	Description	Notes
0001	262379		DOOR STRUCTURE -400-	OASI 400
0002	11031810		400mm LED BOARD	
0003	252384		KNOB M4X10	
0004	093999		COVERING FASTENING SCREW WASHER	
0005	11032785		CHANGE DOOR FS4N	
0006	262405		COIN DOOR FRAME	
0007	262402		TOP PHOTO PANEL	OASI 400
0008	262397		CENTRAL PROFILE	
0009	262404		LEFT SIDE SURROUND	
0010	262403		RIGHT SIDE SURROUND	
0011	262527		EXTERNAL PROFILE -VERSION 600-	OASI 600
0012	254432		3.5X15 SELF-TAPPING SCREW	
0013	262401		BOTTO PHOTO PANEL	
0014	262400		TOP/BOTTOM PROFILE	
0015	262396		DISPENSING COMPARTMENT FRAME	
	0775.989		PRICE LABELS WHITE EURO	
0017	987612	255034	EJOT-PT-SCREW 4X12	
0018	11032978		LEFT TRACK FOR LEXAN FS4N	
0019	257325		CLIP FOR COIN CHUTE	
0020	256010		COIN INSERT LEVER	
0021	262414		COIN SLOT SURROUND	
0022	255493		SCREW M4X10	
0023	0V4264		BLACK MONEY RETURN BUTTON	
0024	11032946		BANKNOTE READER CAP FS4N	
0025	11032976		RIGHT TRACK FOR LEXAN FS4N	
0026	262383		CAPACITIVE KEYPAD 16+3 KEYS	
0027	262495		EXTERNAL PROFILE -VERSION 400-	OASI 400
0028	262494		INTERFACE FRAME	
0029	262426		DOOR STRUCTURE -600-	OASI 600
0030	262425		TOP PHOTO PANEL	OASI 600

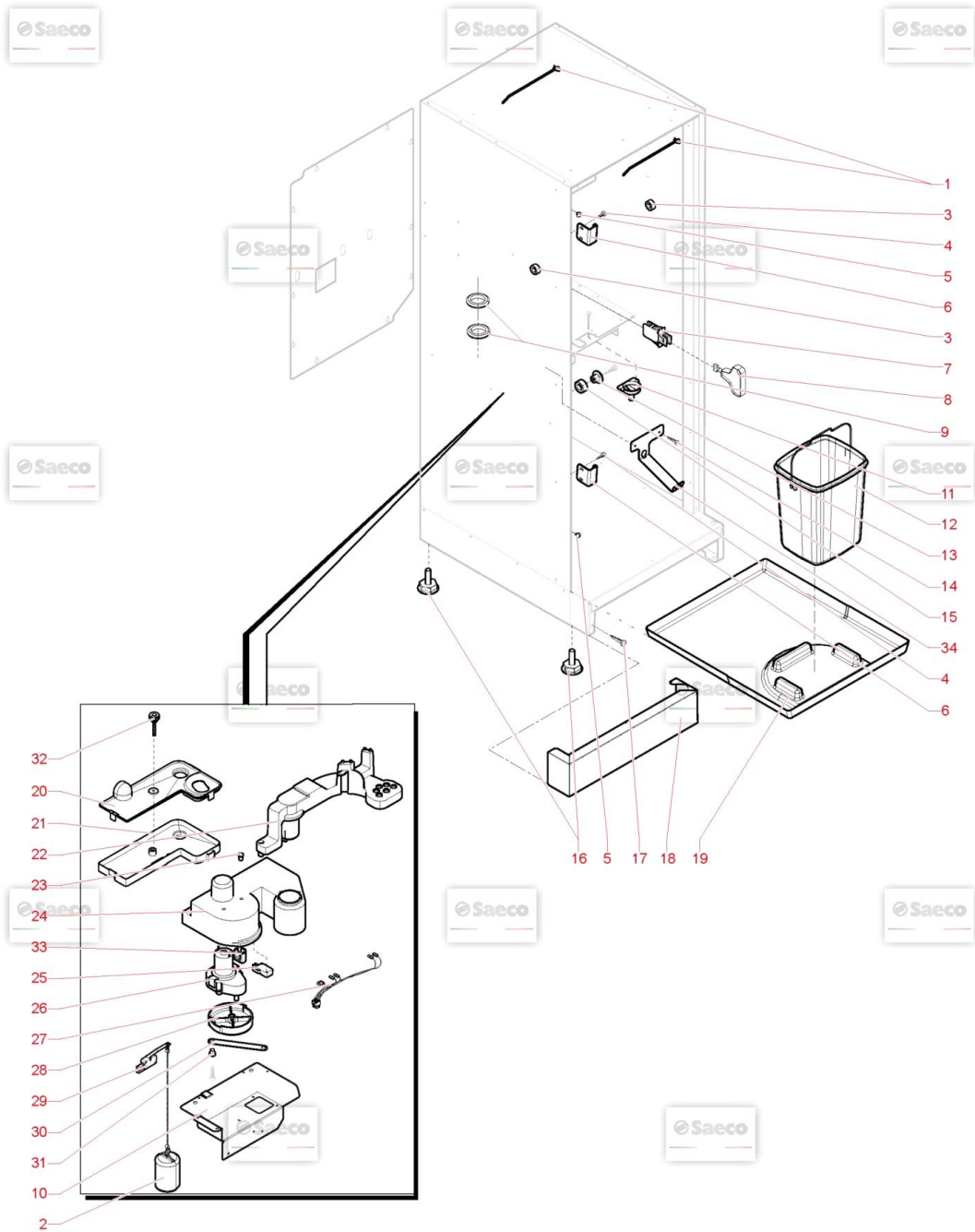


Pos.	Item	Repl. by	Description	Notes
0001	262412		COIN CHUTE	
0002	261153		SCREW M4X20	
0003	256404		ENDPIECE COIN SLOT CHUTE	
0004	255028		SELF-TAPPING SCREW 3,9X9,5	
0005	0V3706		LEVER SUPPORT	
0006	987839		RETURN SPRING	
0007	262413		CHANGE BUTTON ADAPTER	
0008	0V3704		COIN RETURN LEVER	
0009	262415		D.70 CUP SURROUND FORK	
0010	11034002		ASSEMBLY DAMPER+GEAR Z.21	
0011	1863.649		REED FOR DOOR	
0012	262419		COMPARTMENT LOCKING LEVER SPRING	
0013	262392		DISPENSING COMPARTMENT LEVER	
0014	1863.013		LENS FOR COMPARTMENT DISPENSER	
0015	1863.012.050	80A018600	COMPARTMENT DISPENSER	
0016	11033871		SLOW DOWN BRACKET CRS EVO	
0017	11032791		DISPENSER VAIN SUPPORT FS4N	
0018	262406		DISPENSING COMPARTMENT BASIN	
0019	11033747		CUP STATION'S DOOR	
0020	1863.024		STIRRUP FOR COMPARTMENT DISPENSER	
0021	11033725		SUPPORT MONEY BOX	
0022	255937		SCREW M4X14	
0023	0875.271		HANDLE FOR COIN CASE	
0024	255044		NUT M5	
0025	11011662		ADJUSTABLE PLATE	
0026	11032793		DUCT COIN RECOVERY FS4N	
0027	11033002		COIN RECOVER BRACKET FS4N	
0028	12002033		KNOB D.18 M5x25	
0029	11035103		LEVER LOCK RS1	
0030	11033780	11034579	ROD FOR LOCK	
0031	11032998		BRACKET FOR LOCK	
0032	11014166		LOCK BUSH	
0033	12002251		LOCK RIELDA MOD. 458 RS1	
0034	256793		WASHER	
0035	262385		BOTTOM HINGE PIN	
0036	262453		COIN BOX ASS.	
0037	259231		NUT M4	
0038	0875.114		STIRRER GUIDE RETAINING SPRING	
0039	9111.614		COIN BOX ANCHORING PIN	
0040	262377		TOP HINGE ASSEMBLY	
0041	1863.068		ANGULAR	
0042	262381		DOOR HINGE BLOCK	
0043	090148		CLIP	
0044	11009680		BASKET STOP BRACKET SG650	
0045	262421		CUP COVER FLANGE	OASI 400
0046	262374		COIN DOOR ASSEMBLY	
0047	262424		CUP COVER FLANGE	OASI 600

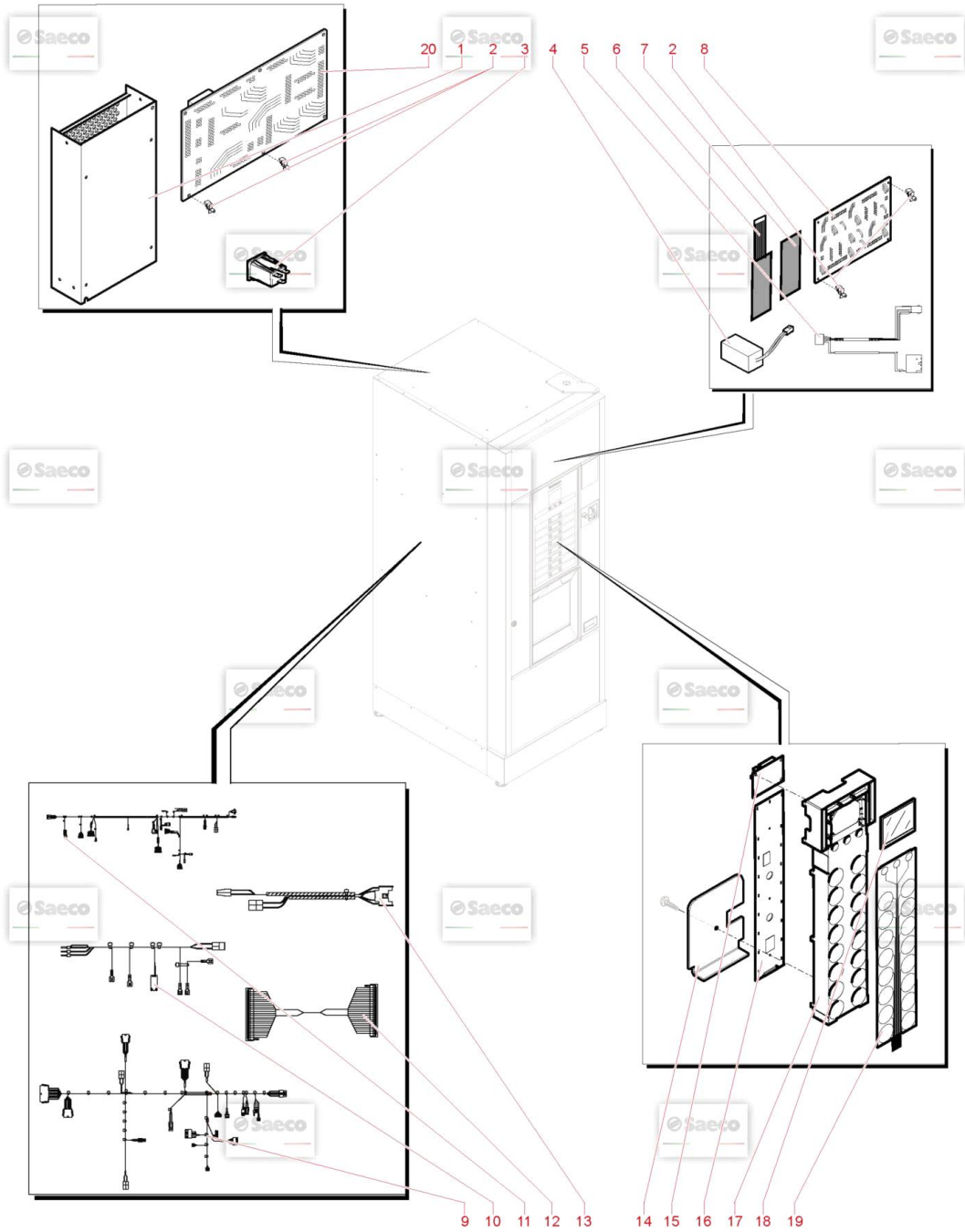
Pos.	Item	Repl. by	Description	Notes
0048	262407		LOCK ROD BUSHING	
0049	11008670		BRACKET FOR MICRO	

**EVOCA**  
GROUP

**Oasi 400/600**

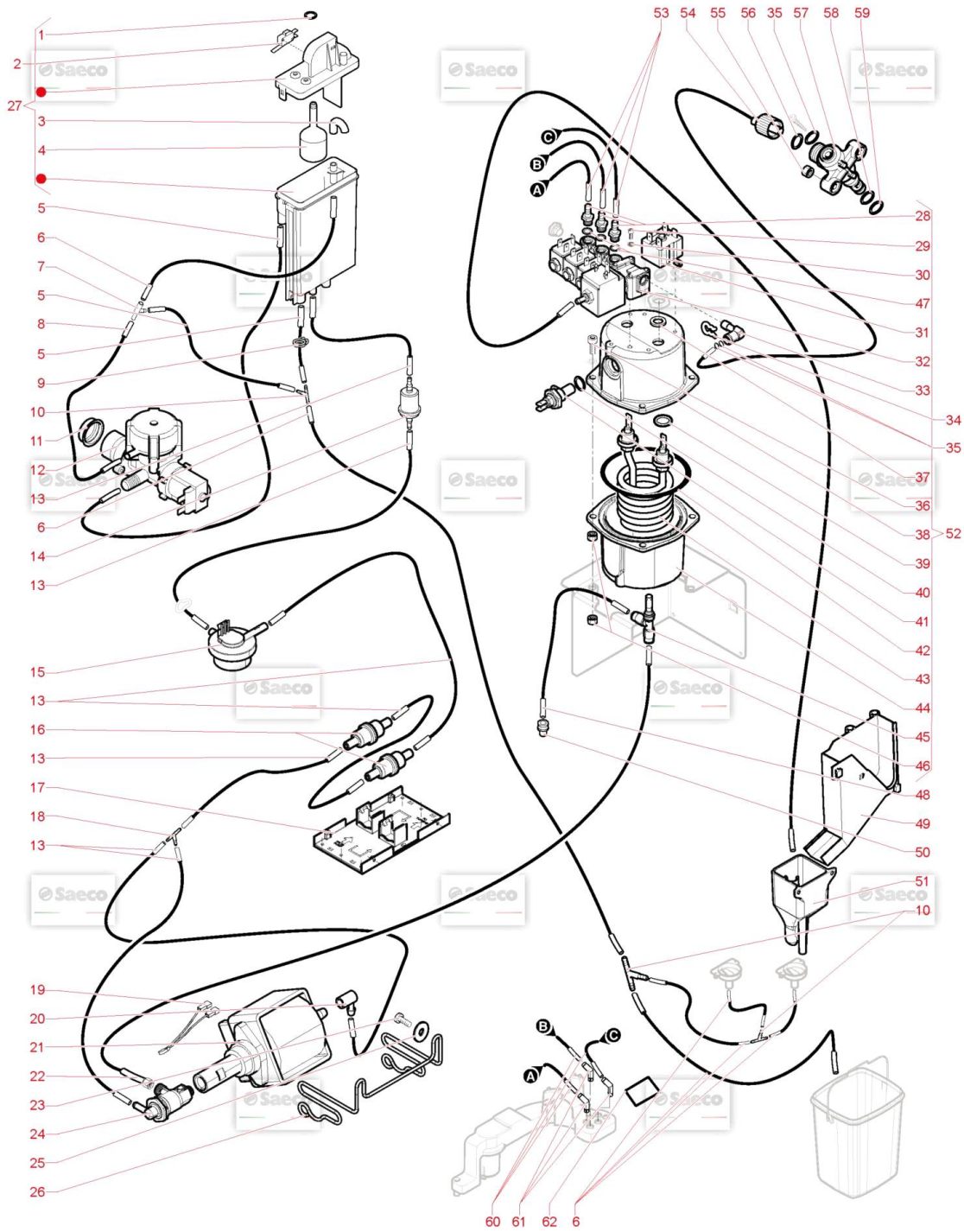


Pos.	Item	Repl. by	Description	Notes
0001	090148		CLIP	
0002	0V2356	094294	FLOT	
0003	262408		SIDE BUSHING	
0004	255937		SCREW M4X14	
0005	259253		RUBBER WASHER	
0006	11027979		ROD LOCK HOOKUP SEAGA	
0007	097796		SWITCH	
0008	0V1654		SWITCH KEY	
0009	39701300		CABLE GLAND DIA. 30	
0010	262455		ARM SUP. ANGLE ASS.	
0011	262411		DISCHARGE FUNNEL	
0012	254569		BLUE GROUND BUCKET	
0013	11006477		FS400 DOOR PIVOT FOR WHEEL	
0014	255028		SELF-TAPPING SCREW 3,9X9,5	
0015	11003474		FS400 DOOR WHEEL	
0016	252124		4 FEET KIT	
0017	255028		SELF-TAPPING SCREW 3,9X9,5	
0018	262378		FOOT COVER	
0019	262409		GROUNDS BASIN	
0020	262399		BASIN COVER	
0021	262398		CONDENSATION BASIN	
0022	262454		SWIVEL ARM ATL.500 BLUE	
0023	9161.305.150		GREY 8GR.BREW UNIT INTEGRAL PISTON PLUG	
0024	11033188		SUPPORT ARM ATLANTE500	
0025	NE05.002		MICROSWITCH	
0026	11033191		GEARMOTOR MECHTEX 25 RPM	
0027	11009584		NOZZLE HARNESS SG650	
0028	11031824		CAM ARM ATLANTE500	
0029	252585		MICROSWITCH	
0030	11023944		CONNECTING ROD ARM ATLANTE500	
0031	11032865		BUSH	
0032	12002032		KNOB D.18 M5x40	
0033	11033193		SPACER MOTOR ARM	
0034	262420		DISCHARGE SUPPORT	



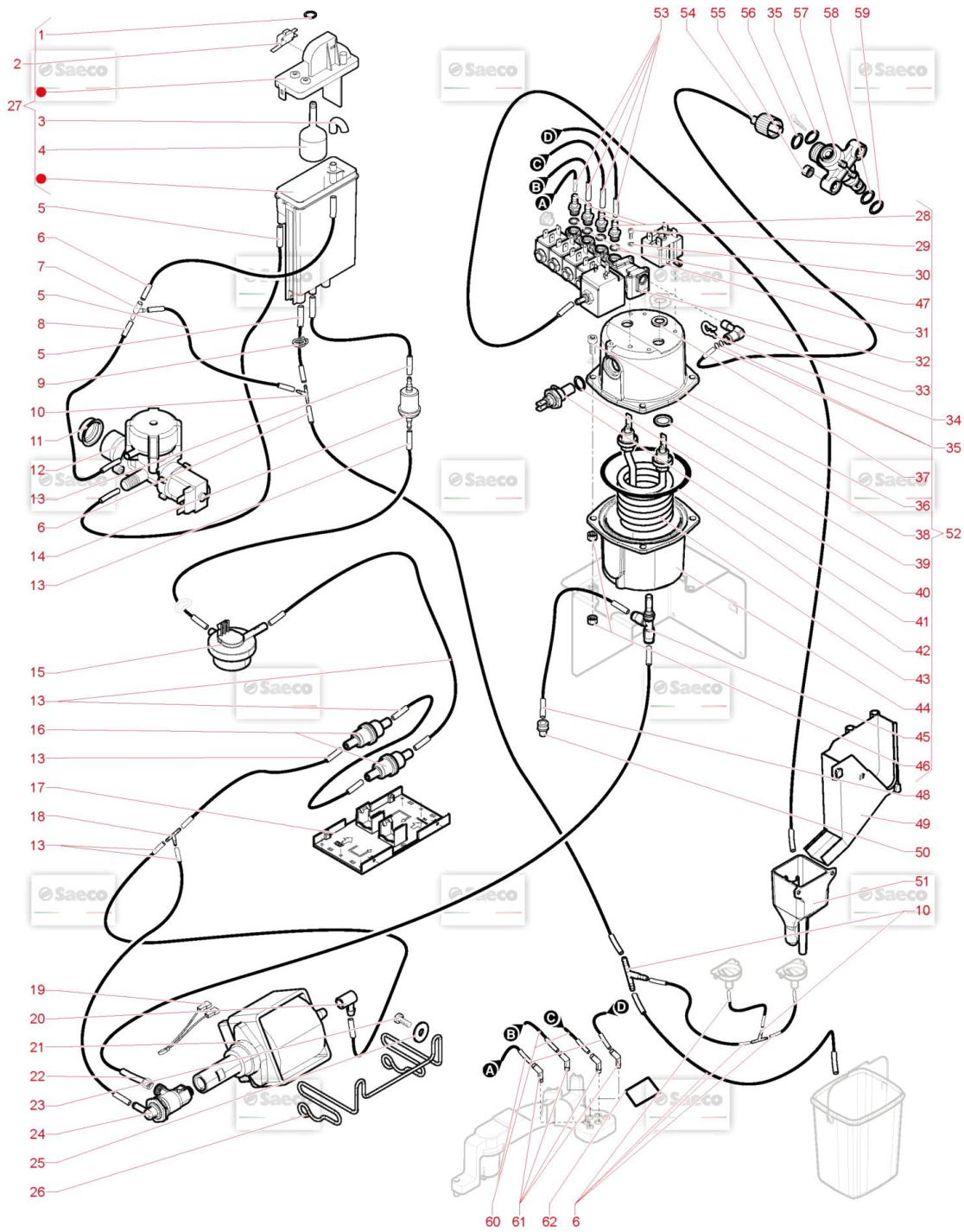
Pos.	Item	Repl. by	Description	Notes
0001	12002120		SWITCHING DELTA PMT-24V-150W-1A	
0002	9111.402		SPACER FOR CARD	
0003	187850400		TRIPOLE SOCKET SELF- LOCKING	
0004	0V2284		SCALER 24 VOLT	
0005	0801.635		T. PANEL HARNESS -C.BOX G26 EXECUT	
0006	0875.741		TOUCH PANEL	
0007	0875.990		TOUCH PANEL PLATE	
0008	262390		CPU CARD	
0009	262430		MACHINE BODY SINGLE WIR.	
0010	262429		230V POWER CAB. - 24V POWER SUPPLY	
0011	262451		DOOR WIR.	
0012	262452		KEY CAPU CARD CONN. WIR.	
0013	262431		DOOR MICRO WIR.	
0014	11035821		FLAT KEYBOARD PROTECTIVE COVERCRS	
0015	11032383		HW INTERF. NEW TFT DISPLAY UMSH-8252MD-T	
0016	11032885		SCHEDA LEDS CAPACITIVA	
0017	11032820		DISPLAY / LED SUPPORT FS4N	
0018	11032399		3,5" TFT DISPLAY 320x240	
0019	11035860		CAPACITIVE ADHESIVE CIRCUIT 19KEYS V1	
0020	262493		ACTUATION CARD	





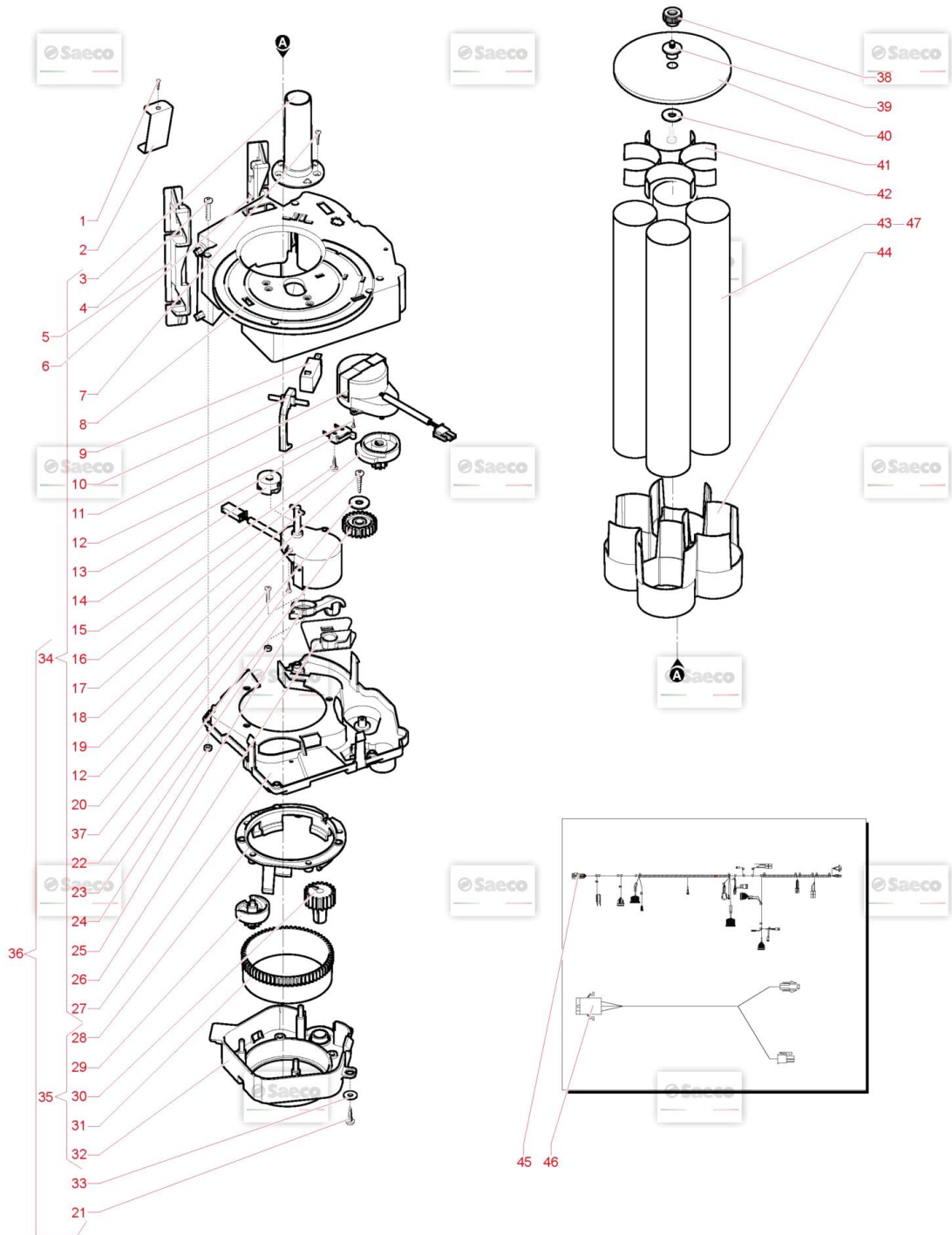
Pos.	Item	Repl. by	Description	Notes
0001	0V0782		O-RING 2025	
0002	504065	0V1141	MICROSWITCH	
0003	0V1749		WATER/AIR-BREAK CONNECTION	
0004	0V1126		AIR-BREAK FLOAT	
0005	097685		SILICONE HOSE BROWN 7,5X12	
0006	097515		SILICONE HOSE 10X16 BROWN	
0007	094185		CODENSE RECOVERY UNION	
0008	097512		SILICONE HOSE 6X12 BROWN	
0009	093957		TUBE CLAMP	
0010	096552		UNION T-SHAPE	
0011	504067			
0012	262391		NETWORK SAFETY SOLENOID VALVE	
0013	097510		SILICONE HOSE 5X9 BROWN	
0014	097435		WATER FILTER VOLUMETRIC COUNTER	
0015	258852		VOLUMETRIC COUNTER D = 1.2	
0016	11036374		FILTER INTAKE IN LUNG WATER SUPPLY PP	
0017	11033067		PANEL FOR ORIENTATION FILTERS	
0018	094231		UNION T-SHAPE	
0019	0V1301		110 DEGREES THERMAL OVERLOAD	
0020	503962	252021	BEND	
0021	257112		PUMP EP5 230V 50HZ PLASTIC-RED/PINK BODY-	
0022	262441		HOSE ASSEMBLY VNR L=220	
0023	255028		SELF-TAPPING SCREW 3,9X9,5	
0024	257729		V.N.R.-BYPASS ASSY. -12BAR-	
0025	093091		PUMP DAMPER	
0026	098697		PUMP SUPPORT	
0027	0V1133		AIR-BREAK ASSEMBLY	
0028	099012		RUBBERHOLDER UNION	
0029	260398		SCREW M4X35	
0030	A-0136		TOOTHED WASHER EXT. 4.3 DIN 6798	
0031	0V1318		125 DEGR. THERMOSTAT	
0032	262375		GROUP OF 2+2+2+3- WAY 24V SOL.VALVES (4)	
0033	9181.348		TEA/BRASS CONNECTOR 1/8" CONICAL AT 90°	
0034	9011.144		SS FORK FOR TUBE D=4	
0035	140328059		OR 2015 SILICONE PTFE/FDA	
0036	255043		SCREW M5X20	
0037	254710		ELASTIC BENT WASHER	
0038	257335		TOP CAP 300CC BOILER TANK-INOX-	
0039	254711		GASKET O-RING112 2.62X9.92-HEATING ELEMENT-	
0040	095624		GASKET O-RING 116 EP851	
0041	259898		NEW TEMPERATURE PROBE	
0042	098701		ES. BOILER GASKET-300CC-	
0043	099653		HEATING ELEMENT 1450 W	

Pos.	Item	Repl. by	Description	Notes
0044	257336		BOTTOM CAP 300CC BOILER TANK-INOX-	
0045	259081		T-SHAPED SIDE CONNECTOR 6-1/8+TUBE-DOUBLE SEAL-	
0046	255044		NUT M5	
0047	094594		GASKET O-RING 2031	
0048	252658		TEFLON PIPE 3X6 (A METER)	
0049	9111.597.050		COFFEE DISCHARGE CHANNEL SHORT	
0050	257049		CAP FEM. 6 DEP.	
0051	262410		CONVEYOR	
0052	262376		300CC BOILER ASSEMBLY	
0053	097529		SILICONE HOSE 3X6 BROWN	
0054	262438		TEFLON HOSE ASS. 4X2X160 GODRON	
0055	096094		NUT	
0056	12001810		OR 275 DE.8,04 SILICONE PERNOMANICOTTO	
0057	11005370		PIN FOR MUFF	
0058	11013173		OR ORM 0090-20 FKM 80 FD GREENPEROXIDA	
0059	11013174		OR ORM 0050-20 FKM 80 FD GREENPEROXIDA	
0060	254565		SILICONE HOSE 5X9 -BLUE-	
0061	262394		ELBOW DISPENSING NOZZLE	
0062	140321762		O-RING 3218 SILICONE	



Pos.	Item	Repl. by	Description	Notes
0001	0V0782		O-RING 2025	
0002	504065	0V1141	MICROSWITCH	
0003	0V1749		WATER/AIR-BREAK CONNECTION	
0004	0V1126		AIR-BREAK FLOAT	
0005	097685		SILICONE HOSE BROWN 7,5X12	
0006	097515		SILICONE HOSE 10X16 BROWN	
0007	094185		CODENSE RECOVERY UNION	
0008	097512		SILICONE HOSE 6X12 BROWN	
0009	093957		TUBE CLAMP	
0010	096552		UNION T-SHAPE	
0011	504067			
0012	262391		NETWORK SAFETY SOLENOID VALVE	
0013	097510		SILICONE HOSE 5X9 BROWN	
0014	097435		WATER FILTER VOLUMETRIC COUNTER	
0015	258852		VOLUMETRIC COUNTER D = 1.2	
0016	11036374		FILTER INTAKE IN LUNG WATER SUPPLY PP	
0017	11033067		PANEL FOR ORIENTATION FILTERS	
0018	094231		UNION T-SHAPE	
0019	0V1301		110 DEGREES THERMAL OVERLOAD	
0020	503963		LOWER BASE	
0021	257112		PUMP EP5 230V 50HZ PLASTIC-RED/PINK BODY-	
0022	262441		HOSE ASSEMBLY VNR L=220	
0023	255028		SELF-TAPPING SCREW 3,9X9,5	
0024	257729		V.N.R.-BYPASS ASSY. -12BAR-	
0025	093091		PUMP DAMPER	
0026	098697		PUMP SUPPORT	
0027	0V1133		AIR-BREAK ASSEMBLY	
0028	099012		RUBBERHOLDER UNION	
0029	260398		SCREW M4X35	
0030	A-0136		TOOTHED WASHER EXT. 4.3 DIN 6798	
0031	0V1318		125 DEGR. THERMOSTAT	
0032	262427		GROUP OF 3+2+2+2+2-WAY 24V SOL.VALVE (5) -NO WAND-	
0033	9181.348		TEA/BRASS CONNECTOR 1/8" CONICAL AT 90°	
0034	9011.144		SS FORK FOR TUBE D=4	
0035	140328059		OR 2015 SILICONE PTFE/FDA	
0036	255043		SCREW M5X20	
0037	254710		ELASTIC BENT WASHER	
0038	257335		TOP CAP 300CC BOILER TANK-INOX-	
0039	254711		GASKET O-RING112 2.62X9.92-HEATING ELEMENT-	
0040	095624		GASKET O-RING 116 EP851	
0041	259898		NEW TEMPERATURE PROBE	
0042	098701		ES. BOILER GASKET-300CC-	
0043	099653		HEATING ELEMENT 1450 W	

Pos.	Item	Repl. by	Description	Notes
0044	257336		BOTTOM CAP 300CC BOILER TANK-INOX-	
0045	259081		T-SHAPED SIDE CONNECTOR 6-1/8+TUBE-DOUBLE SEAL-	
0046	255044		NUT M5	
0047	094594		GASKET O-RING 2031	
0048	252658		TEFLON PIPE 3X6 (A METER)	
0049	9111.597.050		COFFEE DISCHARGE CHANNEL SHORT	
0050	257049		CAP FEM. 6 DEP.	
0051	262410		CONVEYOR	
0052	262364		300CC BOILER ASSEMBLY	
0053	097529		SILICONE HOSE 3X6 BROWN	
0054	262438		TEFLON HOSE ASS. 4X2X160 GODRON	
0055	096094		NUT	
0056	12001810		OR 275 DE.8,04 SILICONE PERNOMANICOTTO	
0057	11005370		PIN FOR MUFF	
0058	11013173		OR ORM 0090-20 FKM 80 FD GREENPEROXIDA	
0059	11013174		OR ORM 0050-20 FKM 80 FD GREENPEROXIDA	
0060	254565		SILICONE HOSE 5X9 -BLUE-	
0061	262394		ELBOW DISPENSING NOZZLE	
0062	140321762		O-RING 3218 SILICONE	



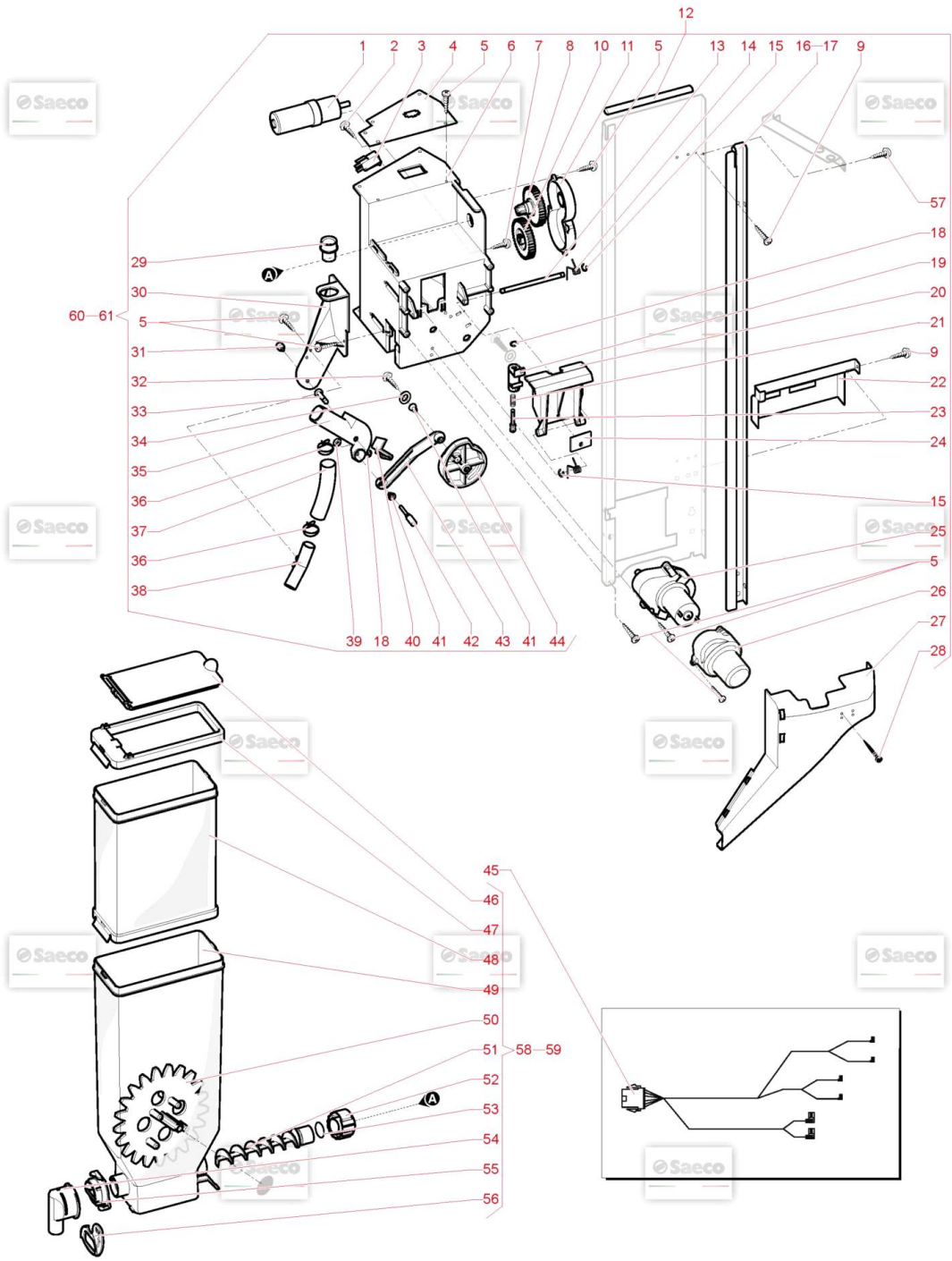
Pos.	Item	Repl. by	Description	Notes
0001	255028		SELF-TAPPING SCREW 3,9X9,5	
0002	262422		CUP DISTRIBUTOR PLATE	
0003	11000642		TUBE FOR BASKET GLASSES	
0004	U034.001		screw TCI M3,0X30 UNI 6107 GALV.	
0005	1863.032.A20		CUP DISTR. SUPPORT	
0006	1863.033.A20		CUP DISTR. SUPPORT	
0007	U111.008		NICK.SCREW AUT.TSP 3,5X9,5 DIN7982 C	
0008	262446		TOP BODY OF DISTRIBUTOR B	
0009	NE05.065		MICROSWITCH CHERRY D41R-QGAD_61	
0010	1813.067.A20		LEVER	
0011	262445		CUP RELEASE MOTOR	
0012	129852821		TSP SCREW M3X14 UNI 7688 SS	
0013	NE05.064		MICROSWITCH SAIA V4NC	
0014	262462		4-COLUMN CENTRING CAM	
0015	129510503		SCREW TCB 2,2X12,7 DIN 7981 NICK	
0016	1863.066.A20		DISENGAGE CAM GLASSES	
0017	11009494		BRASS FOR MOTOR SAIA UDS1 COD.416616310	
0018	U116.005		screw AUT.PT TCB 3,0X8 WN 1441	
0019	262444		COLUMN ROTATING MOTOR	
0020	U201.001		PLAIN WASHER 3,2X9 DIN 7349 GALV.	
0021	U116.005		screw AUT.PT TCB 3,0X8 WN 1441	
0022	1813.068.A20		TOOTHED WHEEL	
0023	U310.001		GALV.SELF LOCK. NUT M3 UNI 7473	
0024	U324.005		NUT M3 FLANGED INDENTED BASE	
0025	11007352		LEVER	
0026	11007356		MICRO COVER	
0027	1813.062.A20		LOWER CASING DISPENSER GLASSES	
0028	11000786		RETAINING RING	
0029	262460		D.70 CUP SCROLL	
0030	1813.074.A20		TOOTHED WHEEL	
0031	1813.073.A20		TOOTHED WHEEL FOR SNAIL	
0032	11000833		SNAIL SUPPORT	
0033	U212.006	206001304	WASHER 3,2X11X0,5 ZNP	
0034	262443		DISPENSER BODY ASS.	
0035	262448		D7 SCROLL SUPPORT	
0036	262442		D.70 CUP DISTRIBUTOR ASS.	
0037	U109.005		screw AUT.TCB 3,5X16 DIN 7981C	
0038	12002034		KNOB WITH BUSH M5	
0039	11010585		CENTRAL PIN FOR CUP COLUMN	
0040	11028032		TANK LID GLASSES	
0041	U207.009		PLAIN WASHER 5,5X15 UNI 6593 GA	
0042	11005072		CUP TUBE FIXING SPRING	
0043	1863.054		CUP TUBE	OASI 400
0044	11000976		TANK DRINKS	



Pos.	Item	Repl. by	Description	Notes
0045	262447		OASI CUP MICRO WIR.	
0046	1863.639		HARNES MOTOR DISPENCER	
0047	11001422		TUBE PVC 80X1.5 L=705	OASI 600

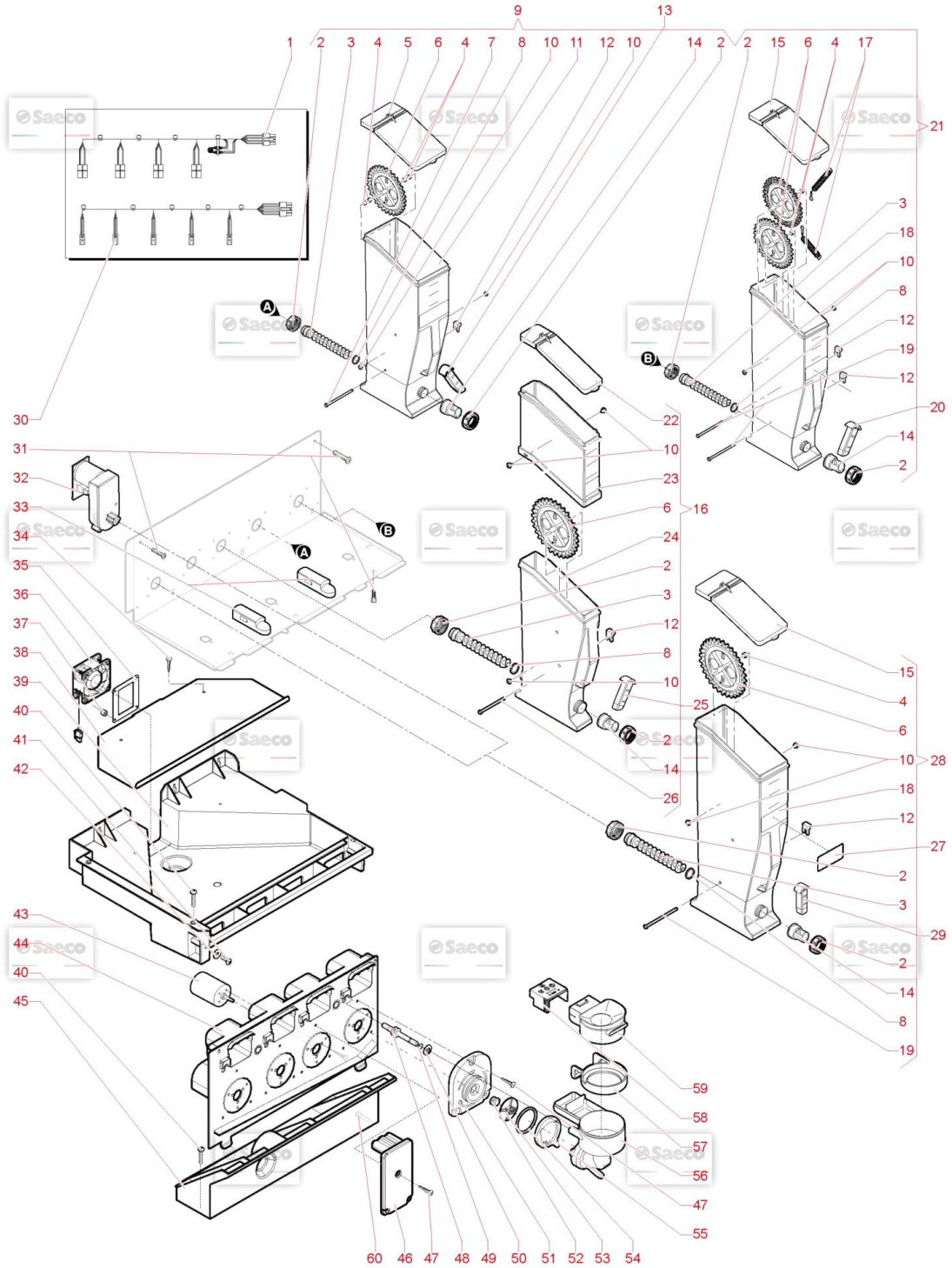


# Oasi 400/600



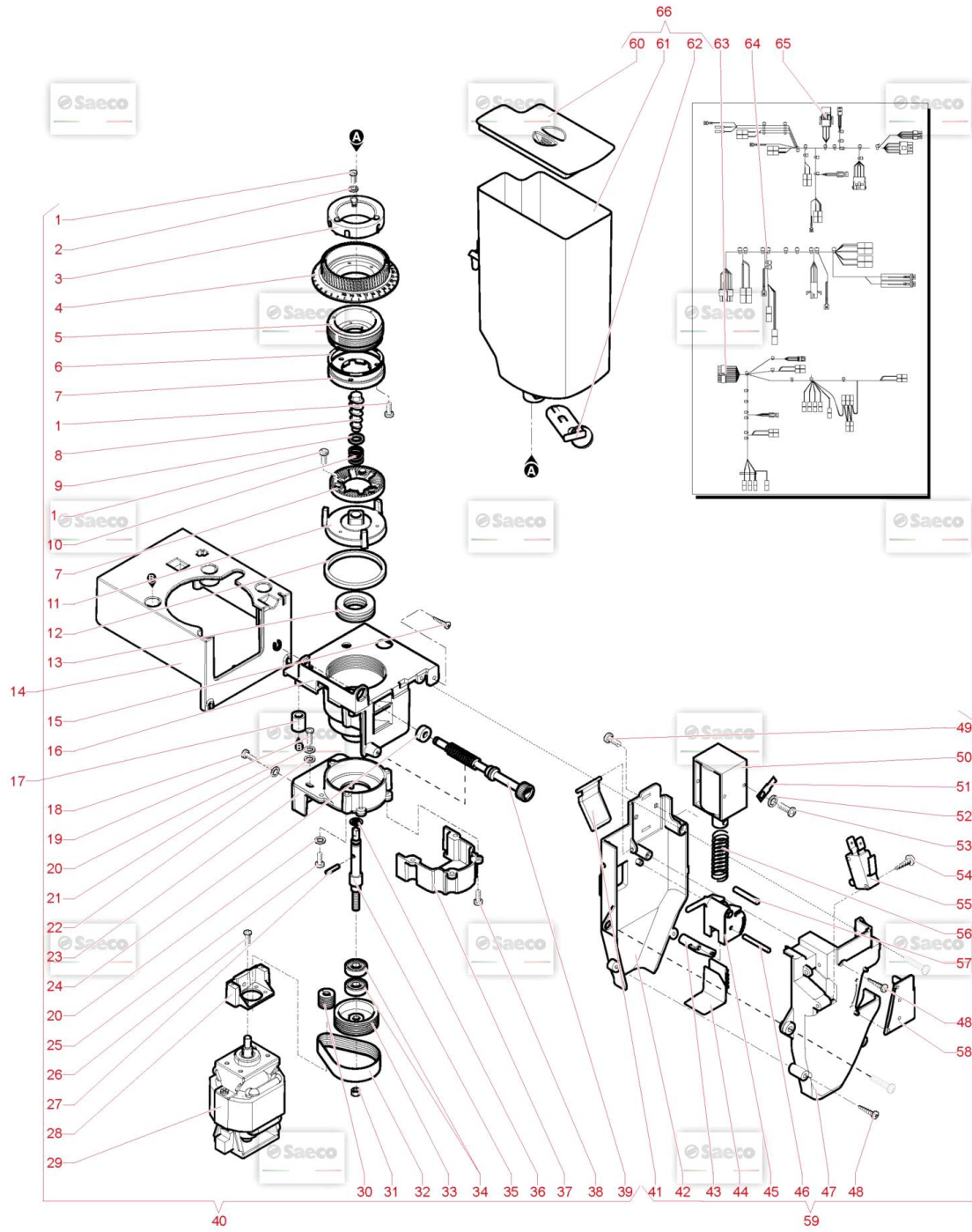
Pos.	Item	Repl. by	Description	Notes
0001	9121.106.00P		SUGAR RATIOMOTOR 24V DC	
0002	U110.007		SCREW AUT.TCB 2,9X16 DIN 7981F ZNP	
0003	NE05.002		MICROSWITCH	
0004	262449		STIRRER DISTR. SUPPORT PLATE	
0005	U116.006		SCREW AUT.PT TCB 3,5X12 WN 1441 ZNP	
0006	11033196		SUPPORT STIRRER	
0007	U116.005		screw AUT.PT TCB 3,0X8 WN 1441	
0008	9111.694		JOINT WITH GEAR	
0009	U110.004		screw AUT.TCB 3,5X6,5 DIN 7981F	
0010	9111.695		GEAR Z40	
0011	9111.687.A20		GEAR COVER	
0012	090203		STIRRER BAR WEIGHT L=95	
0013	9111.376		PIN FOR STIRRER EXPELLER	
0014	9111.730		SPRING	
0015	U701.006		SNAP RING 3,2 UNI 7434	
0016	262450		STIR. GUIDE REG.1700 OASI/ CRS	OASI 400
0017	262492		STIRRER GUIDE -VERSION 600-	OASI 600
0018	U701.011		STEEL SNAP RING 5 UNI 7434	
0019	9111.737		SUPPORT	
0020	11011240		STIRRER EXPELLER BLACK NEW	
0021	11031341		SPRING	
0022	11007444		CARTER	
0023	11002209		PIN	
0024	11025089		PLATE REINFORCEMENT	
0025	11033191		GEARMOTOR MECHTEX 25 RPM	
0026	11025411		CRISTALLO SPOON'S MOTOR COVER	
0027	9111.698.A20		STIRRER SLIDE	
0028	9161.082		RUBBER COUPLER	
0029	9111.699		APERTURE SUGAR TUBE	
0030	9111.686.A20		SUPPORT SUGAR CONVEYER	
0031	11000388		KNOB M3 SUGAR CONVEYER	
0032	U116.004		screw AUT.PT TCB 3,0X16 WN 1441	
0033	11000389		GRAINED PIVOT SUGAR COVEYER	
0034	U201.001		PLAIN WASHER 3,2X9 DIN 7349 GALV.	
0035	9111.690		SUGAR CONVEYER	
0036	9111.553		SELF-ENERGIZING SPRING FOR TUBE D.2	
0037	9111.700		SUGAR TUBE	
0038	9111.697		CONNECTOR SUGAR TUBE	
0039	123160302		NUT M3 HIGH UNI 5587 GALVANIZED	
0040	9111.727		BULKHEAD SUGAR CONVEYER	
0041	9111.705		SPHERICAL PIN	
0042	11004295		KNOB FOR SUGAR CONNECTING RODPIPE	
0043	9111.691		CONNECTING ROD SUGAR DISPENCER	

Pos.	Item	Repl. by	Description	Notes
0044	11008685		SUGAR CAM	
0045	1863.611		HARNESSE	
0046	9111.683		SOLUBLE COVER	
0047	9111.696		COVER SUGAR CONTAINER	
0048	11004610		EXTENSION FOR CONTAINER SUGAR	OASI 600
0049	9111.685		SUGAR CONTAINER	
0050	11032878		CONTAINER WHEEL SUGAR BPA FREE	
0051	9111.726		SCROLL SCREW SUGAR CONTAINER	
0052	11012130		BACK BUSH REINFORCE	
0053	NM03.013		OR 2,3X15 NBR	
0054	9111.629.060		Aperture for solubles hopper	
0055	9111.630.060		BUSH FOR POWDERS TANK	
0056	9111.338.270		BULKHEAD FOR APERT. CLOSURE ORANGE	
0057	255027		SELF-TAPPING SCREW 3,9X6,5	
0058	9110.137		SUGAR CONT. ASS.	OASI 400
0059	11005129		ASSEMBLY SUGAR CONTAINER	OASI 600
0060	262525		SUGAR/STIRRER DISTRIBUTOR ASSEMBLY -OASI 400-	OASI 400
0061	262526		SUGAR/STIRRER DISTRIBUTOR ASSEMBLY -OASI 600-	OASI 600



Pos.	Item	Repl. by	Description	Notes
0001	257704		WIRING BEATER WITH SHIELD	
0002	254090		CONTAINER RING NUT	
0003	254085		SCROLL PITCH 30	
0004	254094		SPACER	
0005	254096		LID FOR 6L CONTAINER	
0006	254087		TOOTHED WHEEL	
0007	254097		6L CONTAINER WHEEL PIVOT	
0008	257853		WASHER CONTAINER	
0009	254214		6L CANISTER -1 WHEEL-	
0010	257518		CAP CONTAINER	
0011	254095		6L CONTAINER CASING	
0012	254089		PIN STOP	
0013	255279		RIGHT-HAND CONVEYOR L=97MM	
0014	254086		POWDER PIPETTE	
0015	254092		LID FOR 4.5L CONTAINER	
0016	254073		2.5L CANISTER -1 WHEEL-	
0017	254419		BEATER SPRING	
0018	254091		4.5L CONTAINER CASING	
0019	254093		4.5L CONTAINER WHEEL PIVOT	
0020	253996		LEFT POWDER FEEDER L=120MM	
0021	254215		4.5L CANISTER -2 WHEELS-2 SPRINGS-	
0022	254083		LID FOR 2.5L CONTAINER	
0023	254084		2.5L UPPER CONTAINER CASING	
0024	254082		2.5L LOWER CONTAINER CASING	
0025	255280		LEFT.HAND CONVEYOR L=97MM	
0026	254088		2.5L CONTAINER WHEEL PIVOT	
0027	097502		NAMEPLATE GROUP CONTAINER INSTANT P	
0028	254074		4.5L CANISTER -1 WHEEL-	
0029	253994		CENTRAL CONVEYOR -105MM-	
0030	255811		DOSER WIRING -ES-	
0031	255493		SCREW M4X10	
0032	254058		MOTORDOSER	
0033	254719		HEATED CONTAINER STOP	
0034	255724		SELF-TAPPING SCREW 4X8	
0035	253997		FAN ADHESIVE SEAL	
0036	262423		24 V FAN	
0037	259397		SHIM	
0038	262384		FAN SUPPORT	
0039	262417		SUCTION COMPARTMENT	
0040	255028		SELF-TAPPING SCREW 3,9X9,5	
0041	259994		SCREW M3X30	
0042	092796		OUTFLOW REGUL FASTENER	
0043	259398		BLENDER MOTOR	
0044	262416		MIXER FRONT PLATE	
0045	262418		BOTTOM MIXER PLATE	
0046	254001		MIXER PLUG	
0047	258628		SELF-TAPPING SCREW. 4X15	
0048	255787		MIXER NOZZLE D=2.3 9-11CC	

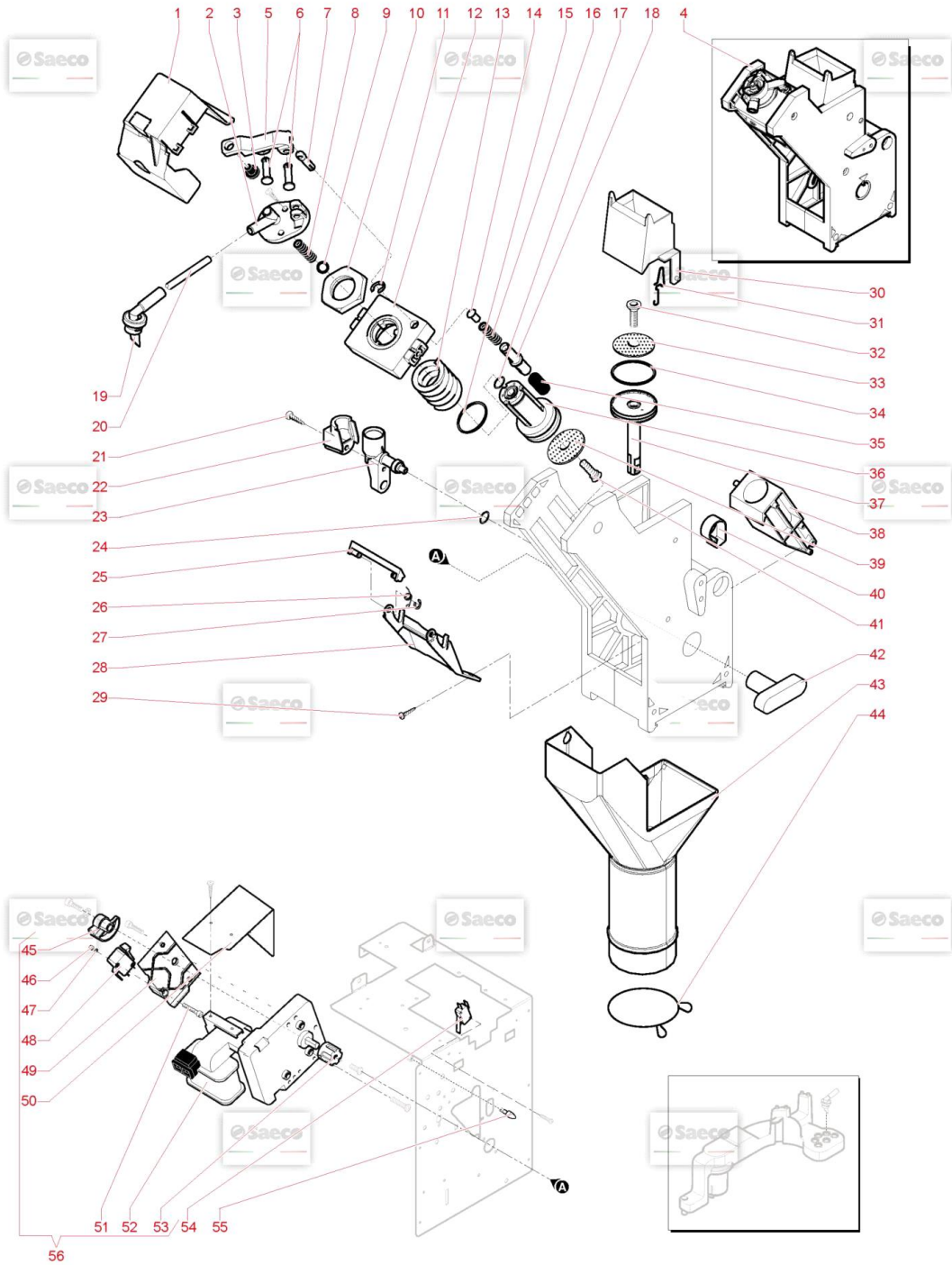
<b>Pos.</b>	<b>Item</b>	<b>Repl. by</b>	<b>Description</b>	<b>Notes</b>
0049	094611		GASKET O-RING 2018	
0050	39733800		MIXER WHISK BUSHING	
0051	255821		MIXER FLANGE	
0052	259612		V RING SEAL -BROWN-	
0053	253991		MIXER VENTILATOR	
0054	253985		GASKET OR 3137	
0055	253998		MIXER RING NUT	
0056	259438		MIXER BODY	
0057	255284		MIXER RING	
0058	259436		MIXER REAR COVER	
0059	259437		MIXER FRONT COVER	
0060	090148		CLIP	



Pos.	Item	Repl. by	Description	Notes
0001	U043.007		screw TCBC M3,0X8 UNI 7687 GALV.	
0002	U208.002		TOOTHED WASHER 3,3X5,8 UNI 3703 G	
0003	11032110		BUSH	
0004	1813.103.A20		RING NUT OF GRIND REGULATION	
0005	11025692		UPPER GRINDING DISK HOLDER "GRIND 48"	
0006	12001617		OR 3206 NBR	
0007	11021838		FLAT MILL D.48 TEA	
0008	11025695		INCREASE SCREW "GRIND 48"	
0009	11027418		SPACER FOR SCREW OF INCREASE	
0010	11025694		SPRING "GRIND 48"	
0011	11025691		LOWER GRINDING DISK HOLDER "GRIND 48"	
0012	11027451		FELT RING DE=47,4 DI=41,4H=4	
0013	11025699		BEARING RTP 51104	
0014	11008262		GRIND SUPPORT	
0015	U116.006		SCREW AUT.PT TCB 3,5X12 WN 1441 ZNP	
0016	11027162		GRINDERS CAP D.48	
0017	1813.046.050		RUBBER GRIND SUPPORT	
0018	U023.004		screw TCEI M6,0X12 UNI 5931 GALV.	
0019	12002052		ZN-B TCB SCREW M4X16	
0020	128310404		WASHER UNI 8842 A4 BURNISHED	
0021	U208.006		TOOTHED WASHER 6,4X11 UNI 3703	
0022	U207.004		PLAIN WASHER 4,3X16 UNI 6592 GAL	
0023	11027164		MOTOR SUPPORT GRINDERS D.48	
0024	1813.159		ANTIVIBRATION RUBBER	
0025	12001700		SCREW TCB M4X30 UNI 7687 ZNP	
0026	12002039		SCREW TCBD TORX 20 M4X12 ZN-B	
0027	11025921		POWER PLUG UNI-EN 28743 D.3X14	
0028	11027163		MOTOR SUPPORT GRINDERS D.48	
0029	262435		COFFEE GRINDER MOTOR D.48 230V	
0030	11025690		PULLEY D.15 "GRIND 48"	
0031	U310.004		nut SELF LOCK.M6 UNI 7473	
0032	11032130		BELT GRINDER COFFEE	
0033	11025689		PULLEY D.40 "GRIND 48"	
0034	11025696		BEARING RTP 608-2Z	
0035	11025693		CENTRAL PIN "GRIND 48"	
0036	140321662		O-RING 2021 SILICONE	
0037	11027186		SHELL CLOSURE BELT	
0038	129573402		SCREW TAPT M4X10 DIN 7985 GALV	
0039	1813.104.A20		ADJUSTMENT SCREW WITH TUBE HOLDER	
0040	262434		COFFEE GRINDER ASS.	
0041	262456		GREEN DOSER STIRRER	



Pos.	Item	Repl. by	Description	Notes
0042	11033266		DISPENSER SHELL	
0043	262459		GREEN ADJUSTMENT LEVER	
0044	262458		GREEN REGULATOR STIRRER	
0045	262457		GREEN DOSER REGULATOR	
0046	1813.091		PIN FOR DISPENSER REGOLATION	
0047	11033265		OUTSIDE SHELL DISPENSER	
0048	12000390		SCREW AUT.TCB 2,9X25 DIN 7981C NIK	
0049	12002151		TSP SCREW M3X4 UNI 7688 SS	
0050	262463		DOSER ELECTRO-MAGNET	
0051	NE15.003		MALE TONGUE PLAIN 6,3 D.5,2	
0052	128310404		WASHER UNI 8842 A4 BURNISHED	
0053	129821402		TCB SCREW M3X4 UNI 7687 ZNP	
0054	U116.004		screw AUT.PT TCB 3,0X16 WN 1441	
0055	NE05.062		MICROSWITCH + WHEEL	
0056	1813.127		SPRING FOR ELECTROMAGNET	
0057	1813.092		PIN	
0058	262461		GREEN DOSER COVER	
0059	262436		6-11 DOSER ASS.	
0060	9111.728		COVER FOR COFFEE CONTAINER	
0061	9111.724		CONTAINER FOR COFFEE BEAN	
0062	262433		COFFEE CONTAINER CLOSING SHUTTER	
0063	262440		COF.GRIN. AND BOIL. LOW VOLT.WIR.	
0064	262439		DOS. GRIND.BOIL.HIGH VOLTAGE WIR.	
0065	262437		GRINDER AND DOSER WIR.	
0066	262432		COFFEE CONTAINER ASS.	



Pos.	Item	Repl. by	Description	Notes
0001	11029737		PROTECTION VALVE	
0002	11029311		COVER BALL VALVE	
0003	NV01.009		RUBBER BUFFER	
0004	11030408		BREWING UNIT ASS. 7GR GRAN GUSTO	
0005	11029312		BREATHER VALVE CLOSED	
0006	11030836		PIN FIXING VALVE SUPPORT	
0007	11029313		CURSOR COMPENSATOR VALVE VENT	
0008	126771918		SS COFFEE UNIT CONTERPISTON SPRING SMART	
0009	12001811		SPHERE TEFLON D.4,5	
0010	11029317		NUT SEAL PISTON MOVABLE	
0011	U701.007		SNAP RING 6 UNI 7434	
0012	11029316		FLANGE FOR CUPHOLDER	
0013	11029308		SPRING FOR MOVABLE COUNTERPISTON	
0014	9161.320		VALVE FOR UNIT	
0015	140322061		O-RING 4112 EPDM	
0016	11029310		SPRING FOR RELIEF VALVE	
0017	NM01.029		OR ORM 0100-15 SILICONE	
0018	11029314		CURSOR FOR VALVE VENT	
0019	262393		COFFEE NOZZLE	
0020	254566		SILICONE HOSE 3X6 -BLUE-	
0021	129512921		SCREW TCB TORX 10 AB 2,9X13 SHEET SS	
0022	11010013		CARTER FOR MUFF PREHEATING UNIT	
0023	11005371		UNIT COFFEE MUFF	
0024	140321462		O-RING 2018 SILICONE	
0025	9111.537.060		BROWN SCRAPER COFFEE GROUP	
0026	9111.520		SPRING FOR SCRAPER SECTION 0.6	
0027	U701.006		SNAP RING 3,2 UNI 7434	
0028	9111.539.060		FORK FOR SCRAPER	
0029	U110.013		screw AUT.TCB 3,9X6,5 DIN 7981F	
0030	322001201		MOBILE SCRAPER BROWN NARROW	
0031	9161.425		SPRING FOR SCRAPER	
0032	129851921		TSP SCREW M3X6 UNI 7688 SS	
0033	324000200		SS PERCOLATOR D=34 FOR UNIT	
0034	140322500		O-RING 2118 NITRIL RUBBER	
0035	11029309		SPRING FOR RELIEF VALVE	
0036	11029878		ASS.CONTROPISTONE MOBILE	
0037	11029879		ASS.PISTONE X GRUPPO CAFFE'	
0038	222711101		BROWN GROUND COFF.CONTAINER D=36 ASSY.	
0039	11012630		PERCOLATOR D.34	
0040	11030309		RING FOR CAM	
0041	U044.009		SS SCREW TSPC M3,0X8 UNI 7688	
0042	9161.021.060		KEY FOR BREW UNIT BROWN	

Pos.	Item	Repl. by	Description	Notes
0043	262395		GROUNDS DISCHARGE CHANNEL	
0044	094048		BAG LOCK COLLAR	
0045	11035504		RATIOMOTOR CAM COFFEE GROUP	
0046	U302.002		nut HEXAGONAL M3 UNI 5588	
0047	U208.002		TOOTHED WASHER 3,3X5,8 UNI 3703 G	
0048	NE05.066		MICROSWITCH CHERRY D419Q1A	
0049	11035503		SUPPORT MICRO RATIOMOTOR	
0050	11014251		CENTRAL UNIT MOTOR STEEL CARTER	
0051	U043.023		screw TCBC M3,0X18 UNI 7687 GALV.	
0052	11035557		RATIOMOTOR 30 PLAST.P.F. 230/240-50	
0053	11000103			
0054	NE05.018		MICROSWITCH	
0055	11006046		PEG FOR BOILER	
0056	11036405		RATIOMOTOR FOR DA 230V	