

# Aulika Office V2

230V - 60Hz  
220V - 50Hz



|    |          |
|----|----------|
| IT | Italiano |
| EN | English  |
| FR | Français |
| DE | Deutsch  |
| ES | Español  |

(IT)

## SOMMARIO

|                |                                  |
|----------------|----------------------------------|
| <b>Tav. 01</b> | Telaio / Estetica                |
| <b>Tav. 02</b> | Componenti erogazione            |
| <b>Tav. 03</b> | Impianto elettrico               |
| <b>Tav. 04</b> | Elettrovalvole/Caldaie           |
| <b>Tav. 05</b> | Circuito Idrraulico              |
| <b>Tav. 06</b> | Coperchio superiore/Contentitori |
| <b>Tav. 07</b> | Macinacaffè                      |
| <b>Tav. 08</b> | Motoriduttore                    |
| <b>Tav. 09</b> | Base macchina                    |
| <b>Tav. 10</b> | Gruppo caffè                     |

(EN)

## INDEX

|                         |
|-------------------------|
| Frame / aesthetics      |
| Dispensing components   |
| Electric system         |
| Solenoid Valves/Boilers |
| Hydraulic System        |
| Top cover/Containers    |
| Grinder                 |
| Gearmotor               |
| Machine base            |
| Coffee Group            |

(FR)

## INDEX

|                                  |
|----------------------------------|
| Cadre / esthétique               |
| Distribution composants          |
| Installation électrique          |
| Electrovannes/Chaudières         |
| Circuit hydraulique              |
| Couverture supérieure/Conteneurs |
| Moulin à café                    |
| Motoréducteur                    |
| Base de la machine               |
| Groupe de café                   |

(DE)

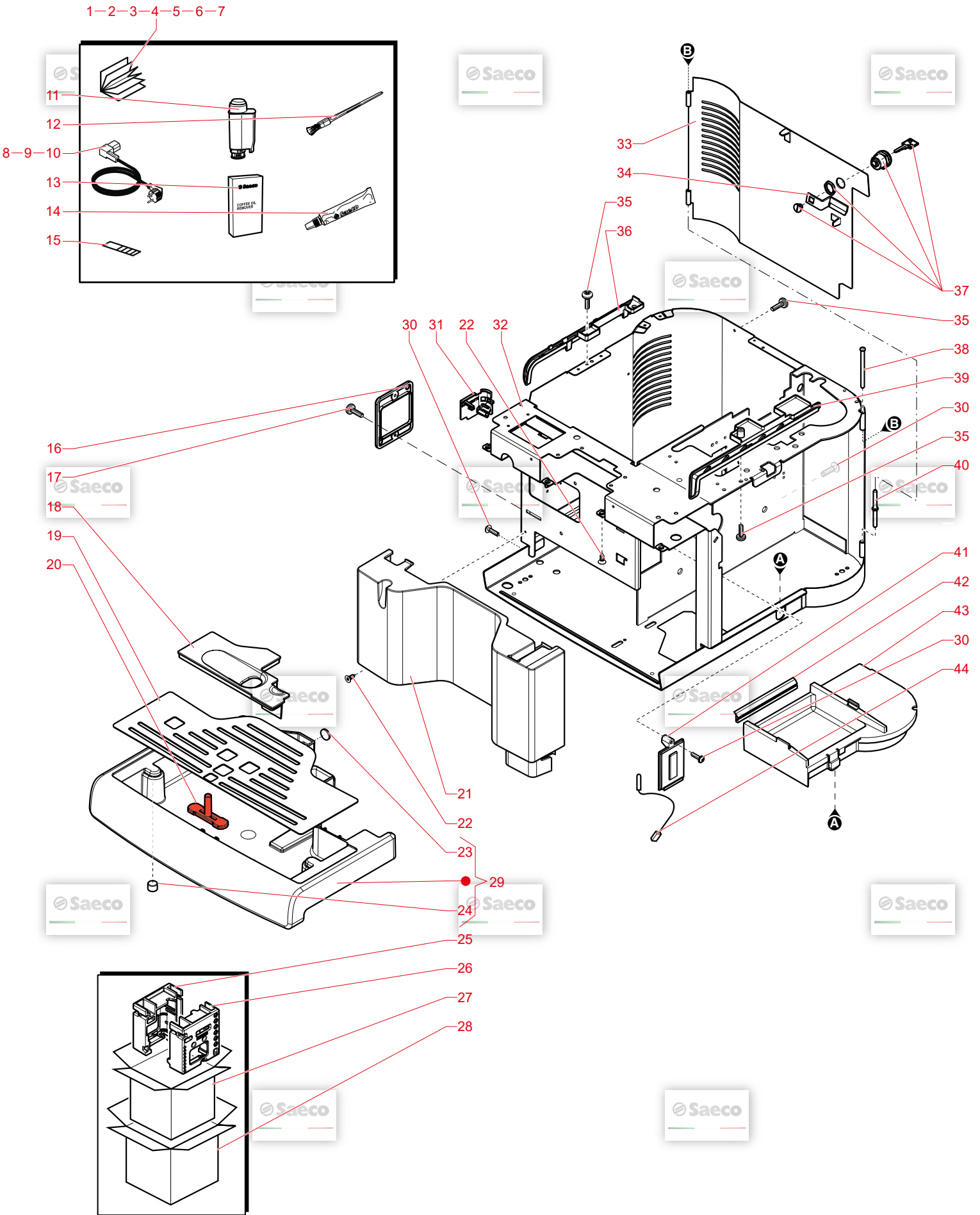
## VERZEICHNIS

|                          |
|--------------------------|
| Rahmen / Ästhetik        |
| Lieferbestandteile       |
| Schaltbrett              |
| Solenoidventile/Kessel   |
| Wasser Leitung           |
| Obere Abdeckung/Behälter |
| Kaffeemühle              |
| Getriebemotor            |
| Maschinenbasis           |
| Kaffeegruppe             |

(ES)

## INDICE

|                                |
|--------------------------------|
| Marco / estética               |
| Dispensación componentes       |
| Instalacion eléctrica          |
| Válvula de solenoide/Calderas  |
| Circuito idráulico             |
| Cubierta superior/Contenedores |
| Molinillo de café              |
| Motorreductor                  |
| Base de la máquina.            |
| Grupo de café                  |



| N.POSI | COD          | I - DESCRIZIONE                  | UK - DESCRIPTION                  | F - DESCRIPTION                  | D - BEZEICHNUNG                     | E - DESCRIPCION                   |
|--------|--------------|----------------------------------|-----------------------------------|----------------------------------|-------------------------------------|-----------------------------------|
| 1      | 15004965     | LIB.IST.SAE OFFICE RYLO/O V2 GB  | MANUAL SAE OFFICE RYLO/O V2 GB    | MANUAL SAE OFFICE RYLO/O V2 GB   | MANUAL SAE OFFICE RYLO/O V2 GB      | LIB.IST.SAE OFFICE RYLO/O V2 GB   |
| 2      | 15004966     | LIB.IST.SAE OFFICE RYLO/O V2 DE  | MANUAL SAE OFFICE RYLO/O V2 DE    | MANUAL SAE OFFICE RYLO/O V2 DE   | MANUAL SAE OFFICE RYLO/O V2 DE      | LIB.IST.SAE OFFICE RYLO/O V2 DE   |
| 3      | 15004967     | LIB.IST.SAE OFFICE RYLO/O V2 FR  | MANUAL SAE OFFICE RYLO/O V2 FR    | MANUAL SAE OFFICE RYLO/O V2 FR   | MANUAL SAE OFFICE RYLO/O V2 FR      | LIB.IST.SAE OFFICE RYLO/O V2 FR   |
| 4      | 15004968     | LIB.IST.SAE OFFICE RYLO/O V2 ES  | MANUAL SAE OFFICE RYLO/O V2 ES    | MANUAL SAE OFFICE RYLO/O V2 ES   | MANUAL SAE OFFICE RYLO/O V2 ES      | LIB.IST.SAE OFFICE RYLO/O V2 ES   |
| 5      | 15004969     | LIB.IST.SAE OFFICE RYLO/O V2 IT  | MANUAL SAE OFFICE RYLO/O V2 IT    | MANUAL SAE OFFICE RYLO/O V2 IT   | MANUAL SAE OFFICE RYLO/O V2 IT      | LIB.IST.SAE OFFICE RYLO/O V2 IT   |
| 6      | 15005190     | LIB.IST.SAE OFFICE RYLO/O V2 KOR | MANUAL SAE OFFICE RYLO/O KOR      | MANUAL SAE OFFICE RYLO/O KOR     | MANUAL SAE OFFICE RYLO/O KOR        | LIB.IST.SAE OFFICE RYLO/O V2 KOR  |
| 7      | 15004972     | LIB.IST.SAE OFFICE RYLO/O V2 PT  | MANUAL SAE OFFICE RYLO/O V2 PT    | MANUAL SAE OFFICE RYLO/O V2 PT   | MANUAL SAE OFFICE RYLO/O V2 PT      | LIB.IST.SAE OFFICE RYLO/O V2 PT   |
| 8      | 183911050    | CAVO AL SCH.3X1 H05VV-F NER.L=12 | BLACK POWER CABLE SCHUKO L=1200   | BLACK POWER CABLE SCHUKO L=1200  | Netzabel Korea H05vv-F 3x1 Sz.      | CAVO AL SCH.3X1 H05VV-F NER.L=12  |
| 9      | 17800019     | CAVO AL BRA.3X1 10AV2 NER.L=120  | BLACK POWER CABLE KOREA L=1200    | BLACK POWER CABLE KOREA L=1200   | Kabel 3X1 10AV2 NER.L=1200          | CAVO AL BRA.3X1 10AV2 NER.L=1200  |
| 10     | 17800019     | CAVO AL BRA.3X1 10AV2 NER.L=120  | BLACK POWER CABLE BRAZIL L=1200   | BLACK POWER CABLE BRAZIL L=1200  | Reinigungsinsel                     | CAVO AL BRA.3X1 10AV2 NER.L=1200  |
| 11     | 127380100    | PENNELLO PER PULIZIA             | BRUSH FOR CLEANING                | BRUSH FOR CLEANING               |                                     | PENNELLO PER PULIZIA              |
| 12     | 21002660     | ACC BRITA WATER FILTER 1UNIT (10 | ACC BRITA WATER FILTER 1UNIT (10  | FILTRE BRITA INTENZA 1 UNITE (10 | FILTRE BRITA WATER FILTER 1UNIT (10 | ACC BRITA WATER FILTER 1UNIT (10  |
| 13     | 21002663     | ACC COF OIL REMOVER 1UNIT CORE+W | ACC COF OIL REMOVER 1UNIT CORE+W  | ACC COF OIL REMOVER 1UNIT CORE+W | ACC COF OIL REMOVER 1UNIT CORE+W    | ACC COF OIL REMOVER 1UNIT CORE+W  |
| 14     | 421940617941 | TUBETTO GRASSO DI LUBRIFICAZIONE | KLUBERLUB NH1 11-222 TUBE 5GR.    | TUBE DE GRAISSE SILICONE 5GR.    | KLUBERLUB NH1 11-222 TUBE 5GR.      | TUBETTO GRASSO DI LUBRIFICAZIONE  |
| 15     | 0301_961     | STICKER TEST DUREZZA ACQUA       | STICKER TEST WATER HARDNESS TEST  | TEST DE DURETE D'EAU             | Teststreifen Für Wasserhärte        | STICKER TEST DUREZZA ACQUA        |
| 16     | 42194062731  | COPERCHIO CONNETTORE NERO        | BLK CONNECTOR LID                 | BLK CONNECTOR LID                | BLK CONNECTOR LID                   | BLK CONNECTOR LID                 |
| 17     | U143.015     | PANELVIT TCB 3.0X12 TORX NER     | PANELVIT TCB 3.0X12 TORX BLACK    | TOURBLE TORX                     | Spax-Schraube TCB 3.0X12 TORX sz    | PANELVIT TCB 3.0X12 TORX NER      |
| 18     | 17000982     | COP.VASCA REC.ACQ.RYL NER.       | BLACK DRIP TRAY COVER RYL         | COVERLE BAC EGOUTTEMENT          | Deckel sz Abtropfschale New Roya    | COP.VASCA REC.ACQ.RYL NER.        |
| 19     | 11029899     | GRIGLIA VASCA REC.ACQ.RYL/T INOX | SB/SS DRIP TRAY GRATE RYL/T       | GRILLE BAC RECUIPE EAU INOX      | SB/SS DRIP TRAY GRATE RYL/T         | GRIGLIA VASCA REC.ACQ.RYL/T INOX  |
| 20     | 70009991     | GALLEG.VASCA REC.ACQ.V2 RYL ROS. | RED FLOAT V2 FOR DRIP TRAY RYL    | FLOTTEUR BAC EAUX USEES ROUGE    | RED FLOAT V2 FOR DRIP TRAY RYL      | GALLEG.VASCA REC.ACQ.V2 RYL ROS.  |
| 21     | 11034960     | COP.PANT.CARC.RYLO/T NER.DIVERN. | UNPAINT.BLK.FRONT CASING COVER R  |                                  |                                     | COP.PANT.CARC.RYLO/T NER.DIVERN.  |
| 22     | 129535721    | VITE TSP 3.5X9.5 DIN7982 TORX IN | SCREW TSP TORX 10 AB 3.5X9.5 SHE  | VIS TCB 3.5X9.5                  | Senkkopfschraube 3,5 x 9,5          | VITE TSP 3.5X9.5 DIN7982 TORX IN  |
| 23     | 9991_093     | MAGNETE D=9.5 X H=1.5            | MAGNET D=9.5 X H=1.5              | AIMANT BAC A MARC MAGIC          | Magnetscheibe d=9,5mm h=1,5mm       | MAGNETE D=9.5 X H=1.5             |
| 24     | 9161_111     | MAGNETE X GALLEGGIANTE SUPERAUT. | MAGNET FOR FLOAT SUPERAUT         | FLOTTEUR MAGNETIQUE              | MAGNET                              | MAGNETE X GALLEGGIANTE SUPERAUT.  |
| 25     | 13001518     | INS.SX SCATOLA RYLO PS-E         | PS-E LEFT INSERT FOR BOX RYLO     | INSERT DE PROTECTION GAUCHE      | PS-E LEFT INSERT FOR BOX RYLO       | INS.SX SCATOLA RYLO PS-E          |
| 26     | 13001517     | INS.DX SCATOLA RYLO PS-E         | PS-E RIGHT INSERT FOR BOX RYLO    | INSERT DE PROTECTION DROITE      | PS-E RIGHT INSERT FOR BOX RYLO      | INS.DX SCATOLA RYLO PS-E          |
| 27     | 13001327     | SCAT.AVANA RYLO SAE AULIKA       | HAVANA BOX RYLO SAE AULIKA        | BOITE D'EMBALLAGE INTERNE        | HAVANA BOX RYLO SAE AULIKA          | SCAT.AVANA RYLO SAE AULIKA        |
| 28     | 13001328     | SCAT.EST.BIA.RYLO SAE            | WHITE EXTERNAL BOX RYLO SAE       | BOITE EMBALLAGE EXTERIEURE       | WHITE EXTERNAL BOX RYLO SAE         | SCAT.EST.BIA.RYLO SAE             |
| 29     | 11031201     | AS.VASCA REC.ACQ.RYL NER.DIVERN. | UNPAINTED DRIP TRAY RYL ASSY      |                                  |                                     | AS.VASCA REC.ACQ.RYL NER.DIVERN.  |
| 30     | 12000450     | VITE TCB 3.5X12 PLAST.ZN-N       | SCREW TCB TORX 10 3.5X12 PLAST.   | VIS TCB TORX 10 3.5X12 PLASTZN   | TORXSCHRAUBE 3.5X12                 | VITE TCB 3.5X12 PLAST.ZN-N        |
| 31     | 17000779     | PROT.TUBO VAP.RYL NER.           | BLACK STEAM TUBE PROTECTION RYL   | PROTECTION TUBE VAPEUR           | BLACK STEAM TUBE PROTECTION RYL     | BLACK STEAM TUBE PROTECTION RYL   |
| 32     | 11034601     | AS.CARC.V4 RYLO/T ACC.VERN.NER.  | BLK STEEL CASING V4 RYLO/T ASSY   | BLK STEEL CASING V4 RYLO/T ASSY  | BLK STEEL CASING V4 RYLO/T ASSY     | AS.CARC.V4 RYLO/T ACC.VERN.NER.   |
| 33     | 11025819     | AS.SPORT.CARC.RYLO ACC.NER.      | BLACK CASING DOOR RYL ASSY        | ENS. PORTE NOIRE                 | BLACK CASING DOOR RYL ASSY          | AS.SPORT.CARC.RYLO ACC.NER.       |
| 34     | 17001988     | STAFFA SERRATURA SPORT.CARC.RYLO | STEEL CASING DOOR LOCK BRACKET R  | PENE DE SERRURE                  | STEEL CASING DOOR LOCK BRACKET R    | STEEL CASING DOOR LOCK BRACKET R  |
| 35     | 12001622     | VITE TCB B 3.5X9.5 LAMIERA ZN-N  | SCREW TCB TORX B 3.5X9.5 SCHEET   | VIS TCB B 3.5X9.5 LAMIERA ZN-N   | TORXSCHRAUBE 3.5X9.5                | VITE TCB B 3.5X9.5 LAMIERA ZN-N   |
| 36     | 170022110    | INS.CHIUSURA LATO SX CARC.RYL/H  | BLACK CASING LEFT CLOSING INSERT  | CARTER GAUCHE BLOCAGE INSERT     | BLACK CASING LEFT CLOSING INSERT    | BLACK CASING LEFT CLOSING INSERT  |
| 37     | 12001902     | SERRATURA MERONI 337             | LOCK MERONI 337                   | SERRURE MERONI 337               | Türschloß Meroni 337                | SERRATURA MERONI 337              |
| 38     | 0301_019     | SPINA SPORT SUPERAUT OT/NIK      | NIK/BRASS PIN FOR DOOR SUPERAUT.  | AXE DE PORTE                     | Schamierbolzen oben                 | SPINA SPORT SUPERAUT OT/NIK       |
| 39     | 11031307     | INS.CHIUSURA LATO DX CARC.RYL NE | BLACK CASING RIGHT CLOSING INSERT | INSERT NOIR COTE DROIT           | BLACK CASING RIGHT CLOSING INSERT   | BLACK CASING RIGHT CLOSING INSERT |
| 40     | 0301_020     | SPINA SPORT SUPERAUT OT/NIK      | NIK/BRASS PIN FOR DOOR SUPERAUT.  | AXE DE PORTE                     | Schamierbolzen unten                | SPINA SPORT SUPERAUT OT/NIK       |
| 41     | 170002240    | INS.PIAS.MONTAG.RYL GRI.         | GREY MOUNTING PLATE INSERT RYL    | INSERT PLAQUE DE MONTAGE         | GREY MOUNTING PLATE INSERT RYL      | INS.PIAS.MONTAG.RYL GRI.          |
| 42     | 9161_140     | GUARNIZIONE X PIASTRA GRUPPO     | SEAL FOR UNIT PLATE               | GARNITURE GROUPE CAFE            | Dichtung Brühgruppe MA_R            | GUARNIZIONE X PIASTRA GRUPPO      |
| 43     | 0301_041_150 | PIAS.SUPP.GRUPP.ROYAL GRI.       | GREY BREW UNIT SUPPORT PLATE ROY  | PLAQ.GROUPE CAFE GRISE           | Schubläde Brühgruppe MA_RO          | PIAS.SUPP.GRUPP.ROYAL GRI.        |
| 44     | 17800442     | AS.CONN.2P.SENS.REED FONDI) CST  | 2POLES CONNECT.SENSOR REED DUMP   | CONNECTEUR 2 POLES               | 2POLES CONNECT.SENSOR REED DUMP     | 2POLES CONNECT.SENSOR REED DUMP   |

NOTE



Aulika Office V2

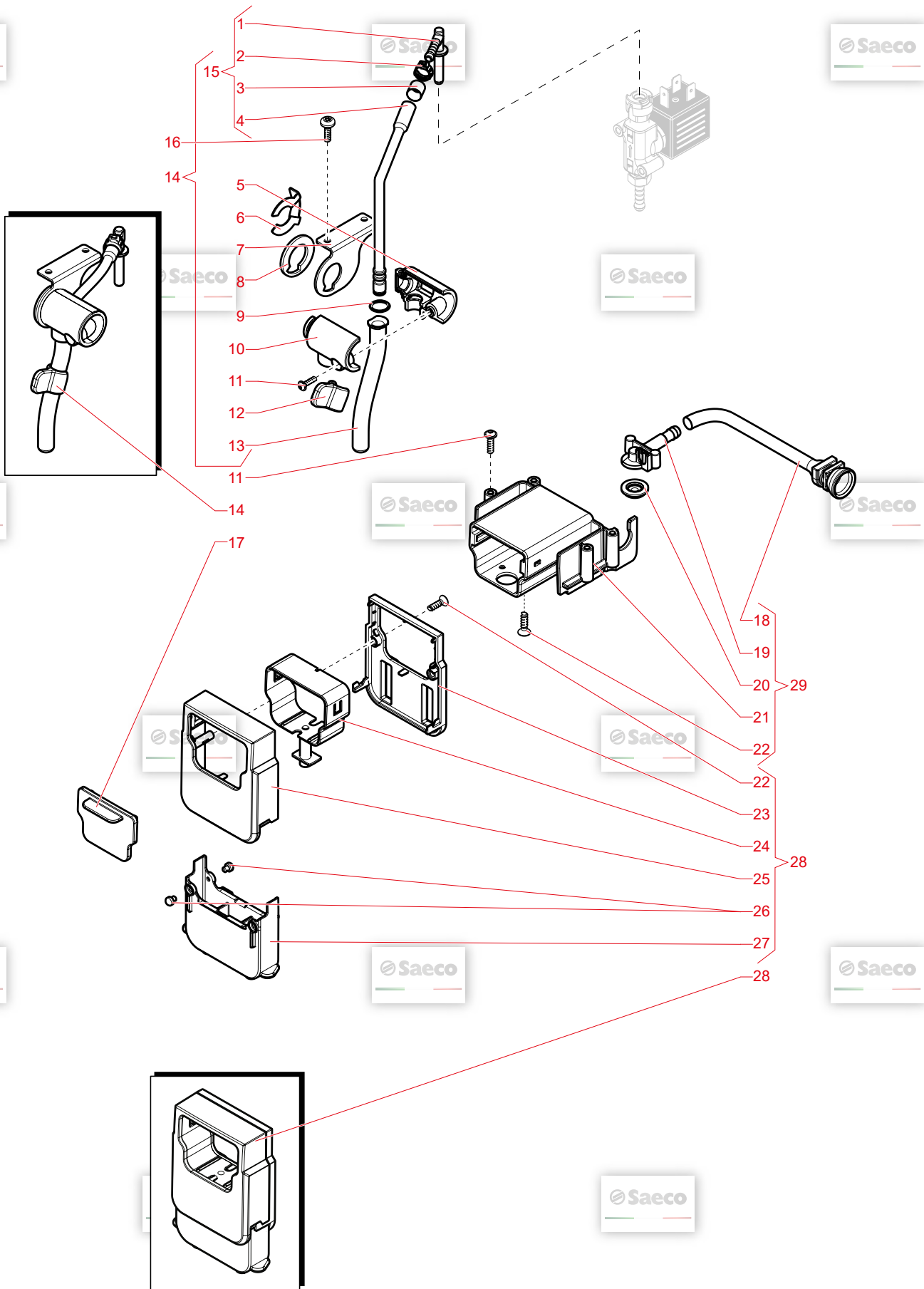
23/04/2019

01

C0153X00

GAGGIO MONTANO

© by Saeco, a company of EVOCA Group



| N.POSI<br>COD | I - DESCRIZIONE | UK - DESCRIPTION                  | F - DESCRIPTION                   | D - BEZEICHNUNG                  | E - DESCRIPCION                   |
|---------------|-----------------|-----------------------------------|-----------------------------------|----------------------------------|-----------------------------------|
| 1             | 17002197        | RAC.TUBO VAP/CAPPUC.V4 RYL NER.   | BLACK CAPPUCINI/STEAM TUBE CONNEC | OETTINGERKLEMMME D=9,5           | FASCETTA OETIKER D=9,5 16700004   |
| 2             | 12000892        | FASCETTA OETIKER D=9,5 16700004   | OETIKER CLAMP D=9,5 16700004      | BLACK TUBE DI=9,5 SP=0,30 L=10   | BLACK SILIC. STEAM DISPENSER TUBE |
| 3             | 11025683        | TUBO DI=9,5 SP=0,30 L=10 NER.     | BLACK TUBE DI=9,5 SP=0,30 L=10    | Dampfrohr schwarz Silikon        | SUPPPOST.TUBO VAP RYL NER.        |
| 4             | 11022989        | TUBO EROG.VAP.MDS SILIC.NER.      | BLACK SILIC. STEAM DISPENSER TUBE | BLACK REAR STEAM TUBE SUPPORT RY | MOLLA A FORCELLA ACC.FOSF.        |
| 5             | 17000672        | SUPP.POST.TUBO VAP RYL NER.       | BLACK REAR STEAM TUBE SUPPORT RY  | Klemmfeder HWD - Rohr Incanto, D | STAFFA SUPP.TUBO VAP RYL ACC.     |
| 6             | NF11.084        | MOLLA A FORCELLA ACC.FOSF.        | PHOSPH/STEEL FOLK SPRING          | STEEL STEAM TUBE SUPPORT BRACKET | RONDELLA TUBO VAP P0049 NER.      |
| 7             | 17000815        | STAFFA SUPP.TUBO VAP RYL ACC.     | STEEL STEAM TUBE SUPPORT BRACKET  | UNDERLAGScheibe zu Dampfrohr     | OR 2031 TERMOIL                   |
| 8             | 11001624        | RONDELLA TUBO VAP P0049 NER.      | BLACK STEAM TUBE WASHER P0049     | O-Ring 2031 EPDM                 | SUPP.ANT.TUBO VAP RYL NER.        |
| 9             | 140321961       | OR 2031 TERMOIL                   | O-RING 2031 TERMOIL               | BLACK FRONT STEAM TUBE SUPPORT R | VITE TCBR 3,5X12 PLAST.ZN-N       |
| 10            | 17001437        | SUPP.ANT.TUBO VAP RYL NER.        | BLACK FRONT STEAM TUBE SUPPORT R  | SCHROU TORX 10 3,5X12 PLAST.ZN   | IMPUGN.TUBO VAP RYL NER.          |
| 11            | 12000450        | VITE TCBR 3,5X12 PLAST.ZN-N       | SCHREW TORX 10 3,5X12 PLAST.ZN    | BLACK STEAM TUBE HANDGRIP RYLO   | TUBO VAP RYL OT/CROM.TF           |
| 12            | 17001574        | IMPUGN.TUBO VAP RYL NER.          | BLACK STEAM TUBE HANDGRIP RYLO    | TUBE VAP RYL OT/CROM.TF          | AS.TUBO VAP.V3 RYL/T OT/TEA OT/C  |
| 13            | 11025760        | TUBO VAP RYL OT/CROM.TF           | TF/CHROM.STEAM TUBE RYL           | AS.TUBE VAP.V3 RYL/T OT/TEA OT/C | KIT TUBO USCITA VAP RYL NER.      |
| 14            | 11031416        | AS.TUBO VAP.V3 RYL/T OT/TEA OT/C  | TF/CHROM.STEAM TUBE V3 RYL/T ASS  | BLACK OUTPUT STEAM TUBE KIT RYL  | VITE TCB B 3,5X9,5 LAMIERA ZN-N   |
| 15            | 20007030        | KIT TUBO USCITA VAP RYL NER.      | BLACK OUTPUT STEAM TUBE KIT RYL   | VIS TCB B 3,5X9,5 LAMIERA ZN-N   | COP.ANT.SUPP.EROG.CAF RYL NER     |
| 16            | 12001622        | VITE TCB B 3,5X9,5 LAMIERA ZN-N   | SCHREW TCB TORX B 3,5X9,5 SCHEET  | CACHE FRONTAL                    | RAC.INGRES.CAF.EROG.RYL NER.      |
| 17            | 11031102        | COP.ANT.SUPP.EROG.CAF RYL NER     | BLACK DISPENSER COFF.INLET CONNE  | RACCORD PASSAGE CAFE             | TUBO EROG.CAF RYL NER.            |
| 18            | 17000614        | RAC.INGRES.CAF.EROG.RYL NER.      | BLACK DISPENSER COFF.INLET CONNE  | TUBE EROGATION CAFE              | GUARN.EROG.CAF RYL NER.           |
| 19            | 17000616        | TUBO EROG.CAF RYL NER.            | BLACK COFFEE DISPENSER TUBE RYL   | CARNITURE EROGATION CAFE         | SUPP.EROG.CAF RYL NER.            |
| 20            | 17000337        | GUARN.EROG.CAF RYL NER.           | BLACK SEAL FOR COFFEE DISPENSER   | SUPPORT EROGATION CAFE           | VITE TSP 3X10 PLAST.SS            |
| 21            | 17000257        | SUPP.EROG.CAF RYL NER.            | BLACK SEAL FOR COFFEE DISPENSER   | VIS TSP 3X10 PLAST.INOX          | CORP.POS.EROG.CAF RYL NER.        |
| 22            | 12000895        | VITE TSP 3X10 PLAST.INOX          | SCHREW TSP TORX 10 3X10 PLAST.SS  | CORPS ARRIERE EROGATION CAFE     | CORPO INT.EROG.CAF RYL NER.       |
| 23            | 17000248        | CORP.POS.EROG.CAF RYL NER.        | BLACK REAR COVER COFFEE DISPENSE  | CORPS INT. EROGATION CAFE        | CRC FRONT COF.DISPENSER COVER RY  |
| 24            | 17000251        | CORPO INT.EROG.CAF RYL NER.       | BLACK INNER BODY COFFEE DISPENS.  | COUVERGLE FRONTAL                | PATTINO EROG.CAF.MYB9 BIA.        |
| 25            | 11030102        | COP.ANT.EROG.CAF RYL VERN.CRC     | CRC FRONT COF.DISPENSER COVER RY  | PATIN EROGATION CAFE             | PARTIE MOBILE EST.EROG.CAF.RYL NE |
| 26            | 11013085        | PATTINO EROG.CAF.MYB9 BIA.        | WHITE COFFEE DISPENSER SLIDER MY  | PARTIE MOBILE EXTERNE EROGATION  | AS.EROG.CAF RYL CRC               |
| 27            | 17000246        | PARTIE MOBILE EST.EROG.CAF RYL NE | BLACK EXT.MOBILE PART COF.DISPEN  | ENS. EROGATION CAPPUCCINO        | AS.SUPP.EROG.CAF RYL NER.         |
| 28            | 11030101        | AS.EROG.CAF RYL CRC               | CRC COFFEE DISPENSER RYL ASSY.    | AS.SUPP.EROG.CAF RYL NER.        |                                   |
| 29            | 11031103        | AS.SUPP.EROG.CAF RYL NER.         | BLK COFFEE DISPENSER SUPPORT RYL  |                                  |                                   |



Aulika Office V2

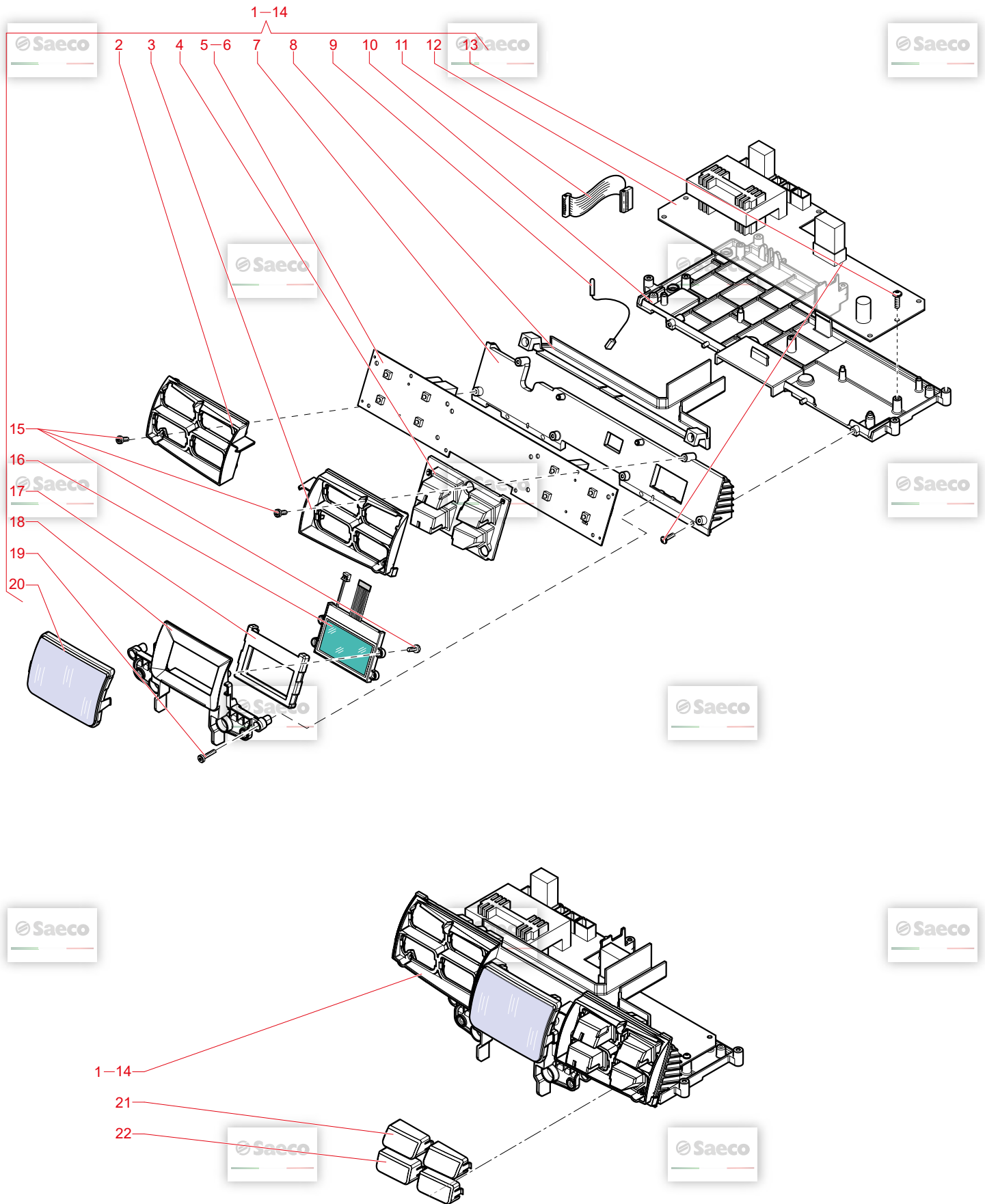
23/04/2019

02

C0153X00

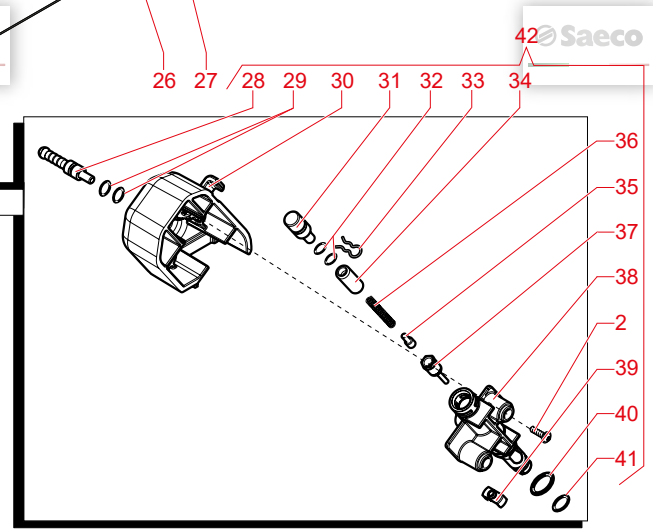
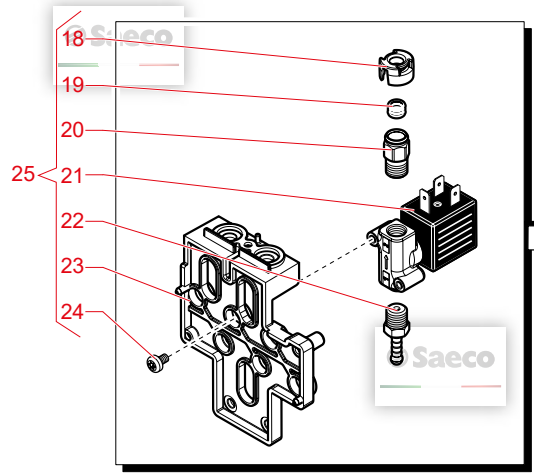
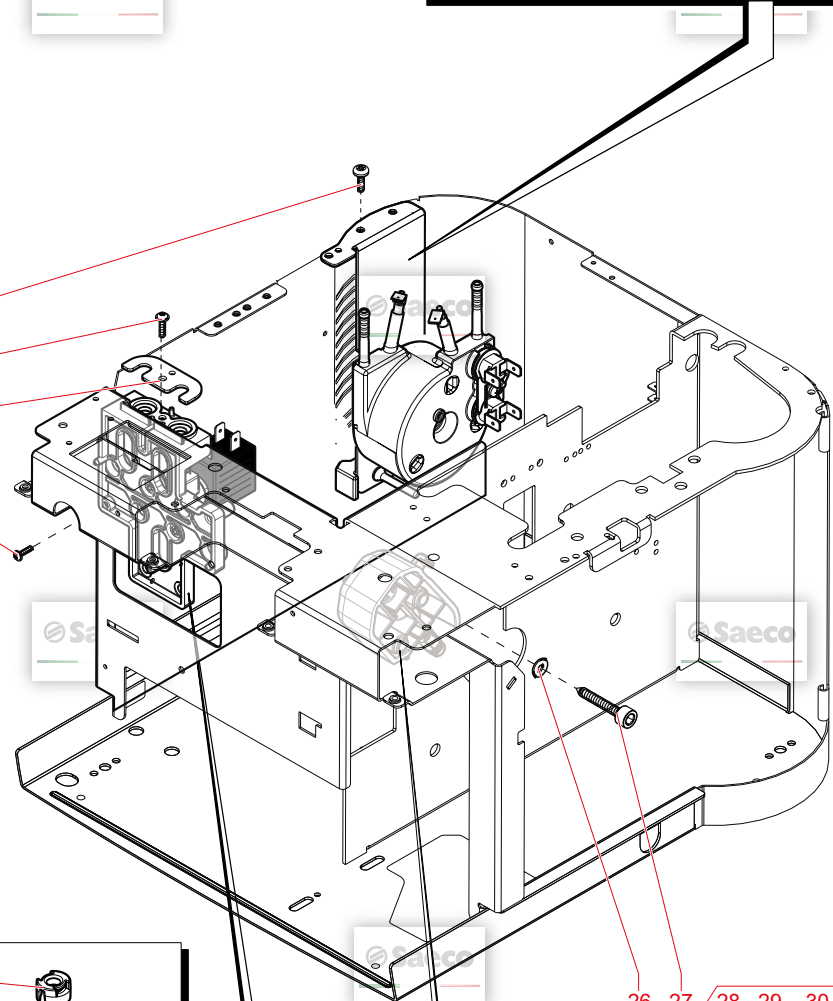
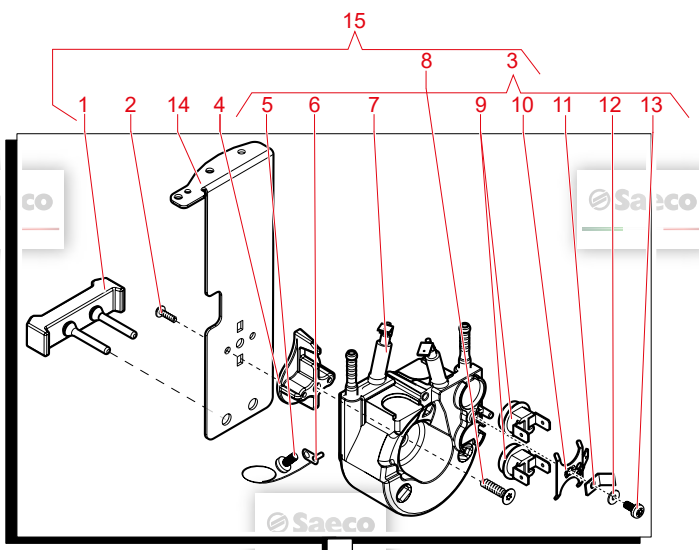
GAGGIO MONTANO

© by Saeco, a company of EVOCA Group

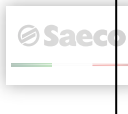


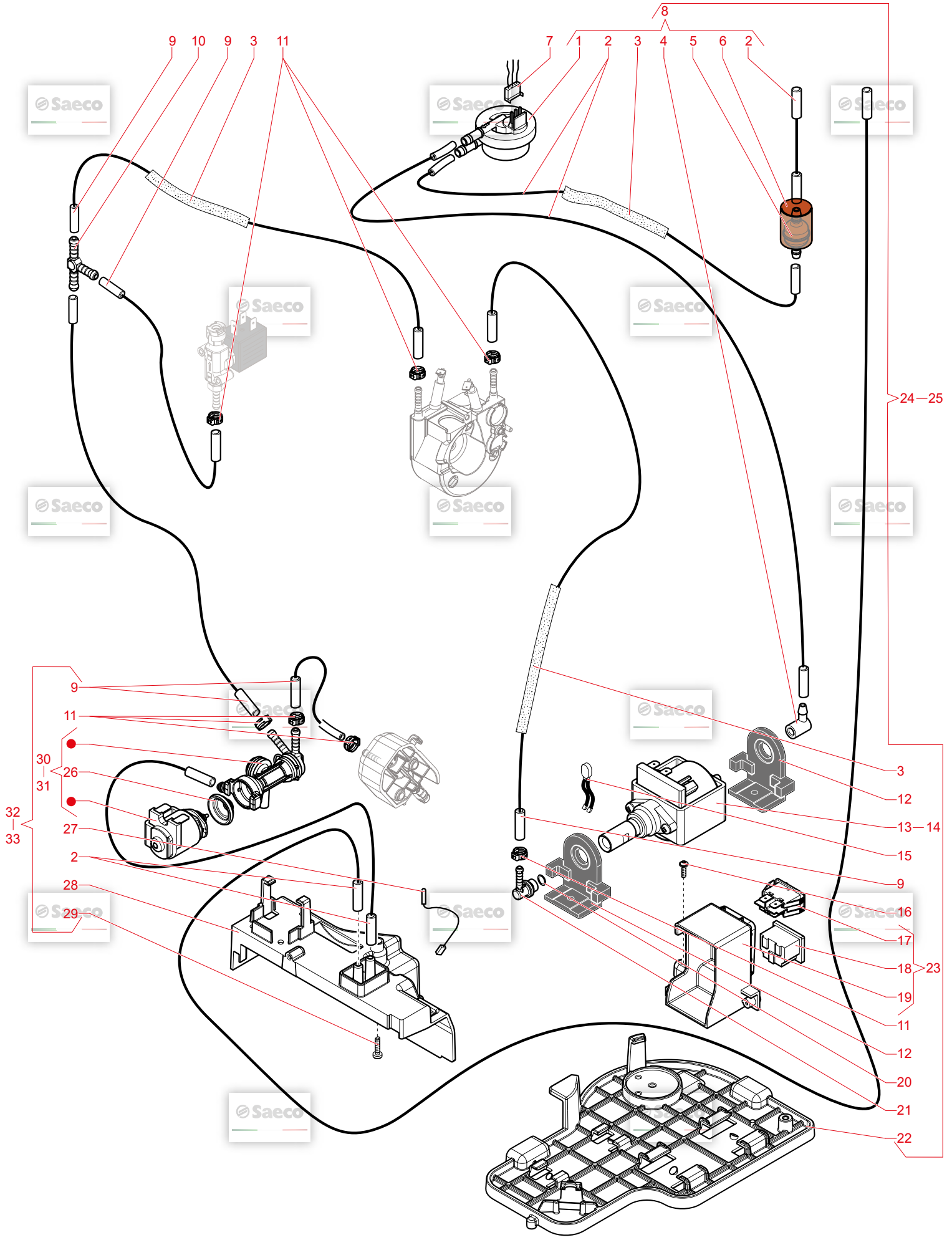
| N.POSI COD | I - DESCRIZIONE                              | UK - DESCRIPTION                 | F - DESCRIPTION                  | D - BEZEICHNUNG                  | E - DESCRIPCION                  |
|------------|--|----------------------------------|----------------------------------|----------------------------------|----------------------------------|
| 1          | 83A008800<br>AS.PARTI EL. RYLO V2 230V       | ELECTR.PARTS 230V RYLO V2 AS.    | SUPP.CLAVIER GAUCHE RYLO NOIR    | BLACK LEFT TOUCH PANEL SUPPORT R | SUPP.TASTIERA SX RYLO NER.       |
| 2          | 17000831<br>SUPP.TASTIERA SX RYLO NER.       | BLACK LEFT TOUCH PANEL SUPPORT R | SUPPORT CLAVIER DROIT NOIR       | BLACK RIGHT TOUCH PANEL SUPPORT  | SUPP.TASTIERA DX RYLO NER.       |
| 3          | 17000830<br>SUPP.TASTIERA DX RYLO NER.       | BLACK RIGHT TOUCH PANEL SUPPORT  | CLAVIER DROIT TRANSPARENT        | TRANSP.RIGHT TOUCH PANEL RYLO    | TASTIERA DX RYLO TRASP.          |
| 4          | 17000484<br>TASTIERA DX RYLO TRASP.          | TRANSP.RIGHT TOUCH PANEL RYLO    | ASS.CPU+SW AULIKA 2018 B2B       | ASS.CPU+SW AULIKA 2018 B2B       | ASS.CPU+SW AULIKA 2018 B2B       |
| 5          | 11036782<br>ASS.CPU+SW AULIKA 2018 B2B       | ASS.CPU+SW AULIKA 2018 B2B       | SUPP.CPU+SW AULIKA K-Office V2   | SUPP.CPU+SW AULIKA K-Office V2   | SUPP.SCHEDA CPU V2 RYL NER.      |
| 6          | 11000175<br>ASS.CPU+SW AULIKA K-Office V2    | ASS.CPU+SW AULIKA K-Office V2    | BLK CPU BOARD SUPPORT V2 RYL     | BLK CPU BOARD SUPPORT V2 RYL     | PROT.SCHEDA CPU V2 RYL NER.      |
| 7          | 421941277592<br>SUPP.SCHEDA CPU V2 RYL NER.  | POWER BOARD PROTECTION RYL       | CONNECTEUR 2 POLES               | 2POLES CONNECT.SENSOR REED DUMP  | 2POLES CONNECT.SENSOR REED DUMP  |
| 8          | 17001152<br>PROT.SCHEDA CPU V2 RYL NER.      | POWER BOARD PROTECTION RYL       | SUPP.PLATINE PUISSANCE NOIR      | SUPP.PLATINE PUISSANCE NOIR      | SUPP.SCHEDA PWR RYL NER.         |
| 9          | 17800442<br>AS.CONN.2P.SENS.REED FONDI CST   | 2POLES CONNECT.SENSOR REED DUMP  | PWR BOARD RYL RYLO V2 230V       | PWR BOARD RYL RYLO V2 230V       | SUPP.SCHEDA PWR RYL NER.         |
| 10         | 17000275<br>SUPP.SCHEDA PWR RYL NER.         | BLACK PWR BOARD SUPPORT RYL      | VIS TCB TORX 10 3,5X12 PLAST.ZN  | PWR BOARD RYL RYLO V2 230V       | PWR BOARD RYL RYLO V2 230V       |
| 11         | 63A006500<br>FLAT CABLE 14P.CPU-PWR EVO RYL  | 14P.FLAT CABLE CPU-PWR EVO RYL   | VIS TCB TORX 10 3,5X12 PLAST.ZN  | TORXSCHRAUBE 3,5X12              | VITE TCBR 3,5X12 PLAST.ZN-N      |
| 12         | 421941307761<br>PWR BOARD RYL RYLO V2 230V   | PWR BOARD RYL RYLO V2 230V       | SCREW TCB TORX 10 3,5X12 PLAST.  | SCREW TCB TORX 10 3,5X12 PLAST.  | VITE TCBR 3,5X12 PLAST.ZN-N      |
| 13         | 12000450<br>VITE TCBR 3,5X12 PLAST.ZN-N      | SCREW TCB TORX 10 3,5X12 PLAST.  | AS.PART EL RYLO 220V             | AS.PART EL RYLO 220V             | VITE TCBR 3,5X12 PLAST.ZN-N      |
| 14         | 11000182<br>AS.PART EL RYLO 220V             | AS.PART EL RYLO 220V             | SCREW TCB TORX 10 3X8 PLAST.ZN-B | SCREW TCB TORX 10 3X8 PLAST.ZN-B | VITE TCB 3X8 PLAST.ZN-B          |
| 15         | 129913202<br>VITE TCB 3X8 PLAST.ZN-B         | SCREW TCB TORX 10 3X8 PLAST.ZN-B | WHITE DISPLAY 160X80             | WHITE DISPLAY 160X80             | DISPLAY 160X80 BIANCO            |
| 16         | 12001779<br>DISPLAY 160X80 BIANCO            | WHITE DISPLAY 160X80             | BLACK DISPLAY SEAL RYL           | BLACK DISPLAY SEAL RYL           | GUARN.DISPLAY RYL NER.           |
| 17         | 17000271<br>GUARN.DISPLAY RYL NER.           | BLACK DISPLAY SEAL RYL           | INSERT DISPLAY INSERT RYL        | BLACK DISPLAY SEAL RYL           | INS.DISPLAY RYL NER.             |
| 18         | 17000259<br>INS.DISPLAY RYL NER.             | BLACK DISPLAY INSERT RYL         | SCREW TCB TORX 10 3,5X16 PLASTZ  | SCREW TCB TORX 10 3,5X16 PLASTZ  | VITE TCB 3,5X16 PLAST.ZN-B       |
| 19         | 129914002<br>VITE TCB 3,5X16 PLAST.ZN-B      | SCREW TCB TORX 10 3,5X16 PLASTZ  | TRANSP.GLASS FOR DISPLAY RYL     | TRANSP.GLASS FOR DISPLAY RYL     | VETRINO DISPLAY RYL TRASP.       |
| 20         | 17000269<br>VETRINO DISPLAY RYL TRASP.       | TRANSP.GLASS FOR DISPLAY RYL     | BLK TAMP. RIGHT UPP.TPAN.COV. R  | BLK TAMP. RIGHT UPP.TPAN.COV. R  | COP.TAST.SUP.DX RYLO/O NER.TAMP. |
| 21         | 11035951<br>COP.TAST.SUP.DX RYLO/O NER.TAMP. | BLK TAMP. RIGHT UPP.TPAN.COV. R  | BLK TAMP. RIGHT LOW.TPAN.COV. R  | BLK TAMP. RIGHT UPP.TPAN.COV. R  | COP.TAST.SUP.DX RYLO/O NER.TAMP. |
| 22         | 11035952<br>COP.TAST.INF.DX RYLO/O NER.TAMP. | BLK TAMP. RIGHT LOW.TPAN.COV. R  |                                  |                                  | COP.TAST.INF.DX RYLO/O NER.TAMP. |



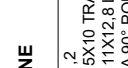


| N.POSI | COD          | I - DESCRIZIONE                     | UK - DESCRIPTION                        | F - DESCRIPTION                   | D - BEZEICHNUNG                        | E - DESCRIPCION                     |
|--------|--------------|-------------------------------------|---|-----------------------------------|--|-------------------------------------|
| 1      | 17000471     | ANTIVIBRANTE CALD.RYL NER.          | BLACK BOILER ANTIVIBRATION RYL          | ANTIVIBRATION CHAUDIERE           | BLACK BOILER ANTIVIBRATION RYL         | ANTIVIBRANTE CALD.RYL NER.          |
| 2      | 12000450     | VITE TCBR 3,5X12 PLAST.ZN-N         | SCREW TCBR TORX 10 3.5X12 PLAST.        | VIS TCBR TORX 10 3.5X12 PLASTZN   | TORXSCHRAUBE 3.5X12                    | VITE TCBR 3,5X12 PLAST.ZN-N         |
| 3      | 421941229822 | AS.CALD.T.SLIM V2 C2 T190°-190°1    | SLIM T.CHAUD.V2 C2 T190-190 1300        | CHAUDIERE SLIM V2 T190°-190°1300  | AS.CALD.T.SLIM V2 C2 T190°-190°1       | AS.CALD.T.SLIM V2 C2 T190°-190°1    |
| 4      | 421944057621 | SUPP.FISSAG.CALDAIE TUB.SLIM V2     | NEU SLIM TUB.BOILERS SUPPORT V2         | NEU SLIM TUB.BOILERS SUPPORT V2   | NEU SLIM TUB.BOILERS SUPPORT V2        | NEU SLIM TUB.BOILERS SUPPORT V2     |
| 5      | 129573402    | VITE TCB PHISW 4X10 UNI 8112 ZNP    | SCREW TAPT M4X10 DIN 7985 GALV          | VITE TCB PHISW 4X10 DIN 7985 GALV | Temperatura sensor NTC UL L=280 mm     | VITE TCB PHISW 4X10 UNI 8112 ZNP    |
| 6      | 190080100    | SENSORE TEMPERATURA NTC UL L=280    | TUB BOILER XS4 1300W 230V ASSY.         | CHAUDIERE TUBULAIRE NIE XS4 1300  | Temperatura sensor NTC UL L=280 mm     | SENSORE TEMPERATURA NTC UL L=280    |
| 7      | 421944024121 | AS.CALD.TUB.XS4 1300W 230V          | SCREW TSP TORX 10 5X35 PLAST.SS         | VITE TSP 5X35 PLAST.INOX          | TUB BOILER XS4 1300W 230V ASSY.        | TUB BOILER XS4 1300W 230V ASSY.     |
| 8      | 12001369     | VITE TSP 5X35 PLAST.INOX            | TERMOSTAT ONE SHOT 190°                 | TERMOSTAT ONE SHOT 190°           | Tox 10 5x35                            | SCREW TSP TORX 10 5X35 PLAST.SS     |
| 9      | 12001033     | TERMOSTATO ONE SHOT 190°            | TUB BOILER V3 UPPER THERM.FIXING        | RESSORT V3 UPPER THERM.THERMOSTAT | TERMOSTAT 190°C ONE SHOT               | TERMOSTATO ONE SHOT 190°            |
| 10     | 11001751     | MOLLA FERM.TERMOS.SUP.CALD.TUB.V    | BRASS BENT FASTON 45° 6,3X0,8           | RACCORD DE PROTECTION THERMOSTAT  | Haltbügel mit PE                       | MOLLA FERM.TERMOS.SUP.CALD.TUB.V    |
| 11     | 124390520    | FASTON PIEGATO 45° 6,3X0,8 OTTON    | GALV WASHER UNI 8842 A4                 | RACCORD DE PROTECTION 45° 6,3X0,8 | Schweißleiterschluß 45°                | FASTON PIEGATO 45° 6,3X0,8 OTTON    |
| 12     | 128310402    | ROSETTA UNI 8842 A4 ZINC            | ROSETTA UNI 8842 A4                     | RONDELLE UNI 8842 A4 ZINC         | FÄCHRSCHRAUBE A4, 3 DIN6798 VERZI      | ROSETTA UNI 8842 A4 ZINC            |
| 13     | 12001715     | VITE TCB M4X8 AUTOFORM.S/TEST DE    | SCREW TCB TORX 20 M4X8 AUTOFORMI        | VIS CB TORX 20 M4X8 AUTOFORMING   | TORXSCHRAUBE 4X8                       | VITE TCB TORX 20 M4X8 AUTOFORMI     |
| 14     | 17000163     | SUPP.CALD.TUB.CAF.RYL.T ACC.        | STEEL COFFEE TUBOL.BOILER SUPPOR        | SUPPORT CHAUD / TUBE CAFE         | STEEL COFFEE TUBOL.BOILER SUPPOR       | SUPP.CALD.TUB.CAF.RYL.T ACC.        |
| 15     | 110038974    | AS.GEN.CALD.TUB.CAF.RYL.P 230V      | COFFEE TUB BOILER 230V RYL/P ASS        | COFFEE TUB BOILER 230V RYL/P ASS  | COFFEE TUB BOILER 230V RYL/P ASS       | AS.GEN.CALD.TUB.CAF.RYL.P 230V      |
| 16     | 12001622     | VITE TCB B 3,5X9,5 LAMIERA ZN-N     | SCREW TCB TORX B 3.5X9.5 SCHEET         | VIS TCB B 3.5X9.5 LAMIERA ZN-N    | TORXSCHRAUBE 3.5X9.5                   | VITE TCB B 3,5X9,5 LAMIERA ZN-N     |
| 17     | 17000428     | PIAS BLOCCAG.RACCORDI RYL ACC.      | STEEL CONNECTORS FIXING PLATE RY        | PLAQUE DE BLOCCAGE                | STEEL CONNECTORS FIXING PLATE RY       | PIAS BLOCCAG.RACCORDI RYL ACC.      |
| 18     | 17001178     | "INS.RAC.1/8" GAS ELETTROV2 RYL"    | "BLK EV 1/8" GAS CONNECTOR V2 INSE"     | INSERT RACCORD ELECTROVANNE V2    | "BLK EV 1/8" GAS CONNECTOR V2 INSE"    | "INS.RAC.1/8" GAS ELETTROV2 RYL"    |
| 19     | 17001909     | "GUARN.RAC.1/8" GAS ELETTROV2 RY"   | "RED EV CONNECTOR 1/8" GAS SEAL V2"     | CONNECTEUR ROUGE                  | "RED EV CONNECTOR 1/8" GAS SEAL V2"    | "GUARN.RAC.1/8" GAS ELETTROV2 RY"   |
| 20     | 11027334     | "RAC.1/8" GAS ELETTROV2 RYL OT/T"   | "TEA/BRASS ELECTROV.CONNECT1/8" GA"     | "RAC.1/8" GAS ELETTROV2 RYL OT/T" | "RAC.1/8" GAS ELECTROV.CONNECT1/8" GA" | "RAC.1/8" GAS ELETTROV2 RYL OT/T"   |
| 21     | 17001262     | EV ODE 2 VIE 21JN1R4V20-X031        | LFBRASS 2W.EV 21JN1R4V20-X031           | ELECTROVANNE 2 VOIES              | LFBRASS 2W.EV 21JN1R4V20-X031          | EV ODE 2 VIE 21JN1R4V20-X031        |
| 22     | 11006304     | "RAC.DIR.1/8" G.C/RESCA CALD AL OT" | TEA/BRASS CONNECTOR FOR ALUM.BOI        | "RACCORD LATON 1/8"               | "Raccord gerade 1/8" Boiler messi"     | "RAC.DIR.1/8" G.C/RESCA CALD AL OT" |
| 23     | 17000168     | SUPP.ELETTROV/RAC.3VIE RYL NER.     | BLACK ELECTROV/CONNECTOR SUPPRY         | SUPP.ELETTROV/RAC.3VOIE NOIR      | BLACK ELECTROV/CONNECTOR SUPPRY        | SUPP.ELETTROV/RAC.3VIE RYL NER.     |
| 24     | U043.012     | VITE TCB TORX 20 M4X6 ZN-B          | SCREW TCB TORX 20 M4X6 ZN-B             | VIS TCB TORX 20 M4X6 ZN-B         | Senkschraube TCB TORX 20 M4X6 ZN       | VITE TCB TORX 20 M4X6 ZN-B          |
| 25     | 11035181     | AS.ELETTROVALVOLE V4 RYL/H OT/TE    | TEA/BRASS ELECTROV.V4 RYL/H 24V         | TEA/BRASS ELECTROV.V4 RYL/H 24V   | TEA/BRASS ELECTROV.V4 RYL/H 24V        | AS.ELETTROVALVOLE V4 RYL/H OT/TE    |
| 26     | 128310521    | ROSETTA UNI 8842 A5 INOX            | WASHER UNI 8842 A5 SS                   | RONDELLE                          | Unterlegscheibe A5,3 DIN 6798 in       | ROSETTA UNI 8842 A5 INOX            |
| 27     | 11003555     | VITE TCEI AUTOFILET 4.8X32 ZINC     | GALVANIZED SELF-TAPPING SCREW 4.        | VIS TCEI AUTOFILET 4.8X32 ZINC    | Schraube 4,8 x 32 selbstschneide       | VITE TCEI AUTOFILET 4.8X32 ZINC     |
| 28     | 11000750     | RAC.FAST LOCK DIR.TUBO SIL.RETIN    | OR 2015 SILICONE CONNECTOR FOR SILICONE | ADAPTEUR DE LIASON TUBE           | Raccord zu Adapter P124                | RAC.FAST LOCK DIR.TUBO SIL.RETIN    |
| 29     | 140328059    | OR 2015 SILICONE PTFE/FDA           | OR 2015 SILICONE PTFE/FDA               | JOINT OR 2015 SILICONE ROUGE      | O-RING 2015 SILIKON                    | OR 2015 SILICONE PTFE/FDA           |
| 30     | 170000156    | SUPP.PERNO PASS.ACC.CALDA RYL NE    | BLACK HOT WATER PIN SUPPORT RYL         | BLACK HOT WATER PIN SUPPORT RYL   | BLACK HOT WATER PIN SUPPORT RYL        | SUPP.PERNO PASS.ACC.CALDA RYL NE    |
| 31     | 11026413     | TAPPO PERNO PASS.ACC.CALDA RYL O    | TEA/BRASS HOT WATER PIN PLUG RYL        | BOUCHON PIVOT                     | TEA/BRASS HOT WATER PIN PLUG RYL       | TAPPO PERNO PASS.ACC.CALDA RYL O    |
| 32     | 140326662    | OR ORM 0040-20 SILICONE             | OR ORM 0040-20 SILICONE                 | JOINT OR 0040-20 SILICONE         | O-Ring 0040-20 Silikon                 | OR ORM 0040-20 SILICONE             |
| 33     | 9011.144     | FORCELLA X TUBO D=4 INOX            | SS FORK FOR TUBE D=4                    | AGRAFE TUYAU                      | Sicherungsfeder Schlauch VI, RO        | FORCELLA X TUBO D=4 INOX            |
| 34     | 11009012     | BOCC.PERNO CALD OT/TEA              | TEA/BRASS BOILER PIN BUSH               | BAGUE LATON                       | Fixierhülse zu Boiler messing          | BOCC.PERNO CALD OT/TEA              |
| 35     | 11009013     | PERNO X PISTONCINO L=10 OT/TEA      | TEA/BRASS PIN FOR PISTON L=10           | PIVOT POUR PISTON L=10 OT/TEA     | Stift zu Ventil L=10                   | PERNO X PISTONCINO L=10 OT/TEA      |
| 36     | 9011.132     | MOLLA PISTONCINO INOX               | SS SPRING FOR PIN                       | RESSORT POUR EPINGLE              | FEDER VENTILSTUTZEN                    | MOLLA PISTONCINO INOX               |
| 37     | 11009019     | AS.PISTONCINO C/GOLA L=20,9 OT/T    | TEA/BRASS PISTON L=20,9 ASSY.           | ENS PISTON                        | VENTILSTIFT + DICHTUNG VITON           | AS.PISTONCINO C/GOLA L=20,9 OT/T    |
| 38     | 9161.434     | PERNO PASS.ACQUA CALDA              | HOT WATER PIN                           | PIPETTE CHAUDIERE                 | Ventilzapfen MA-RD                     | PERNO PASS.ACQUA CALDA              |
| 39     | 11005099     | CURSORE CALD.V2 P119 PEEK NAT.      | NATURAL CURSOR V2 FOR BOILER P11        | CURSEUR DE CHAUDIERE P119         | GLEITSTÜCK AUSLAUFSTUTZEN              | CURSORE CALD.V2 P119 PEEK NAT.      |
| 40     | NM01.035     | OR ORM 0090-20 SILICONE             | OR ORM 0090-20 SILICONE                 | JOINT OR ORM 90-20                | O-RING ORM 0090-20 SILICON             | OR ORM 0090-20 SILICONE             |
| 41     | NM01.057     | OR ORM 0050-20 SILICONE             | OR ORM 0050-20 IN SILICONE              | JOINT OR ORM 50-20                | O-RING ORM 0050-20 SILICON             | OR ORM 0050-20 SILICONE             |
| 42     | 11025744     | AS.PERNO PASS.ACC.CALDA RYL OT/T    | TEA/BRASS HOT WATER PIN RYL ASSY        | ENS.PIVOT PASSAGE EAU CHAUDE      | TEA/BRASS HOT WATER PIN RYL ASSY       | AS.PERNO PASS.ACC.CALDA RYL OT/T    |





| N.POSI COD | I - DESCRIZIONE | UK - DESCRIPTION                  | F - DESCRIPTION                  | D - BEZEICHNUNG                     | E - DESCRIPCION                  |
|------------|-----------------|-----------------------------------|----------------------------------|-------------------------------------|----------------------------------|
| 1          | NV99,089        | TURBINE D=1,2 ASSY.               | DEBITMETRE D=1,2                 | TURBINE D=1,2                       | AS.TURBINA D=1,2                 |
| 2          | 11035450        | SILICONE TUBE 5X10 L.2000MM       | SILICONE TUBE 5X10 L.2000MM      | SILICONE TUBE 5X10 L.2000MM         | TUBO SILICONE 5X10 TRASP. L.2000 |
| 3          | 11032467        | SILICONE TUBE 11X12,8 L.2000 MM   | TUBE SILICONE 11X12,8            | Siliconschlauch 11X12,8 l=2mtr.     | TUBO SILICONE 11X12,8 L=2000 MM  |
| 4          | 147920150       | 90° INLET PUMP CONNECTOR          | RACCORD 90° CAOUTCHOC            | Pumpenanlasschlußwinkel 90° weiß/Ku | RAC.INGRESSO A 90° POMPA NEU.    |
| 5          | 12001585        | TRANS/WHITE ASPIRATION FILTER M   | FILTRE D'ASPIRATION              | Ansaugfilter M/D's weiß/transsparen | FILTRO ASPIRAZ.M/D'S BIA/TRASP.  |
| 6          | 147756562       | BLK PROTECTION FOR FOLK SPRING T  | PROTECTION DE TUBE               | Abdeckung zu Klemmfeder             | PROTEZ.MOLLA FORCELLA TUBO D=4   |
| 7          | 421946001551    | 6P CONN.FLOWMETER V3 RYL UL ASSY  | CONNECTEUR 6 POLES               | 6P.CONN.FLOWMETER V3 RYL UL ASSY    | 6P.CONN.FLOWMETER V3 RYL UL ASSY |
| 8          | 83A025100       | GEN.TURBINE OFF RYL/T ASSY AU     |                                  |                                     |                                  |
| 9          | 11027788        | PINK 5X8,9 SILICONE TUBE L=2000M  | TUBO SIL.RETIN.5X8,9 L=2000MM RO | TUBO SIL.RETIN.5X8,9 L=2000MM RO    | TUBO SIL.RETIN.5X8,9 L=2000MM RO |
| 10         | 11007493        | T CONNECTOR FOR BOILER P604       | RACCORD EN T CHAUD P604          | T-Raccord Boilerausgang P604 neu    | RAC.A T USCITA CALD P604 NEU.    |
| 11         | 12000892        | OETIKER CLAMP D=9,5 16700004      | AGRAFES OETIKER D=9,5 16700004   | OETTINGERKLEMMME D=9,5              | FASCETTA OETIKER D=9,5 16700004  |
| 12         | 11022857        | BLACK PUMP SUPPORT GMYB           | SUPPORT POMPE NOIR GMYB          | Support Pumpe                       | SUPP.POMPA GMYB NER.             |
| 13         | 12000140        | PUMP 230V-50HZ                    | PUMP 230V-50HZ                   | PUMPE 230V-50HZ                     | POMPA 230V-50HZ PLASTICA         |
| 14         | 12000182        | ULKA PUMP EP5/S GW 220V-60HZ      | ULKA PUMP EP5/S GW 220V-60HZ NO  | Ulka Pumpe                          | POMPA ULKA EP5/S GW 220V-60HZ    |
| 15         | 17800202        | 2POLES CONNECTOR COFFEE PUMP RYL  | CONNECTEUR 2 POLES POMPE CAFE    | 2POLES CONNECTOR COFFEE PUMP RYL    | AS.CONN.2PPOMPA CAF.RYL UL       |
| 16         | 12000450        | SCREW TCBR TORX 10 3,5X12 PLAST.  | VIS TCBR TORX 10 3,5X12 PLASTZN  | TORXSCHRAUBE 3,5X12                 | VITE TCBR 3,5X12 PLAST.ZN-N      |
| 17         | NE03,038        | BIPOLAR SWITCH FUSIT C1250AR      | INTERRUPTEUR BIPOLAIRE           | Schalter Ein/Aus MA-RD              | INT.BIPOL.FUSIT C1250AR          |
| 18         | 12001883        | CUP SOCKET V3 EN 60320 C.13       | SOCLE DE PRISE                   | CUP SOCKET V3 EN 60320 C.13         | PRESA A VASCH.C/SMUSSI V3 EN 603 |
| 19         | 17000182        | BLACK SOCKET-SWITCH SUPPORT RYL   | SUPPORT PRISE INTERRUPTEUR       | Support Stecker und Schalter sch    | SUPP.PRESA E INTERRUT.RYL NER.   |
| 20         | 140321961       | O-RING 2031 TERMOIL               | JOINT 2031                       | O-Ring 2031 EPDM                    | OR 2031 TERMOIL                  |
| 21         | 11001054        | BLK PUMP OUTLET 90° CONNECTOR P00 | RACCORD 90° SORTIE DE POMPE      | Raccord 90° zu Pumpe                | RAC.90° USCITA POMPA P0049/B NER |
| 22         | 17000973        | BLACK COMPONENTS SUPPORT RYLO     | SUPPORT DE COMPOSANT NOIR        | BLACK COMPONENTS SUPPORT RYLO       | SUPP.COMPONENTS RYLO NER.        |
| 23         | 63A001400       | IEC CONNECTOR RYL ASSY EU         |                                  |                                     |                                  |
| 24         | 11034707        | COMPONENTS SUPP.230V RYL V2 ASSY  | COMPONENTS SUPP.230V RYL V2 ASSY |                                     |                                  |
| 25         | 11034708        | AS.SUPP.COMPONENTI V2 RYL 230V    | BLOWDOWN VALVE MEMBRANE SEAL.P00 |                                     |                                  |
| 26         | 11001513        | BLOWDOWN VALVE MEMBRANE SEAL.P00  | CONNECTEUR 2 POLES               |                                     |                                  |
| 27         | 17800442        | 2POLES CONNECT SENSOR REED DUMP   | PROTECTION BAC RECUIPEAU         |                                     |                                  |
| 28         | 17000185        | BLACK DRIP TRAY PROTECTION RYL    | VIS TCB 3X12 PLASTZN-B           | Torx-Schraube 3X12 ZN-B             | VITE TCB 3X12 PLAST.ZN-B         |
| 29         | 129913902       | SCREW TCB TORX 10 3X12 PLASTZN-   | ENS ELECTROVANNE V3 230V         | ENS ELECTROVANNE V3 230V            | AS.VALV.SCARICO V3 RYL 230V      |
| 30         | 11025742        | BLOWDOWN VALVE V3 RYL 230V ASSY.  | BLOWDOWN VALVE V3 230V           |                                     |                                  |
| 31         | 11028161        | BLOWDOWN VALVE V3 RYL 220V-60HZ   | ENS ELECTROVANNE V3 220V-60HZ    |                                     |                                  |
| 32         | 11035973        | 230V/BLK PROT+BLOWDOWN VALVE RYL  | 230V/BLK PROT+BLOWDOWN VALVE RYL |                                     |                                  |
| 33         | 11038662        | 220V/BLK PROT+BLOWDOWN VALVE RYL  | 220V/BLK PROT+BLOWDOWN VALVE RYL |                                     |                                  |



Aulika Office V2

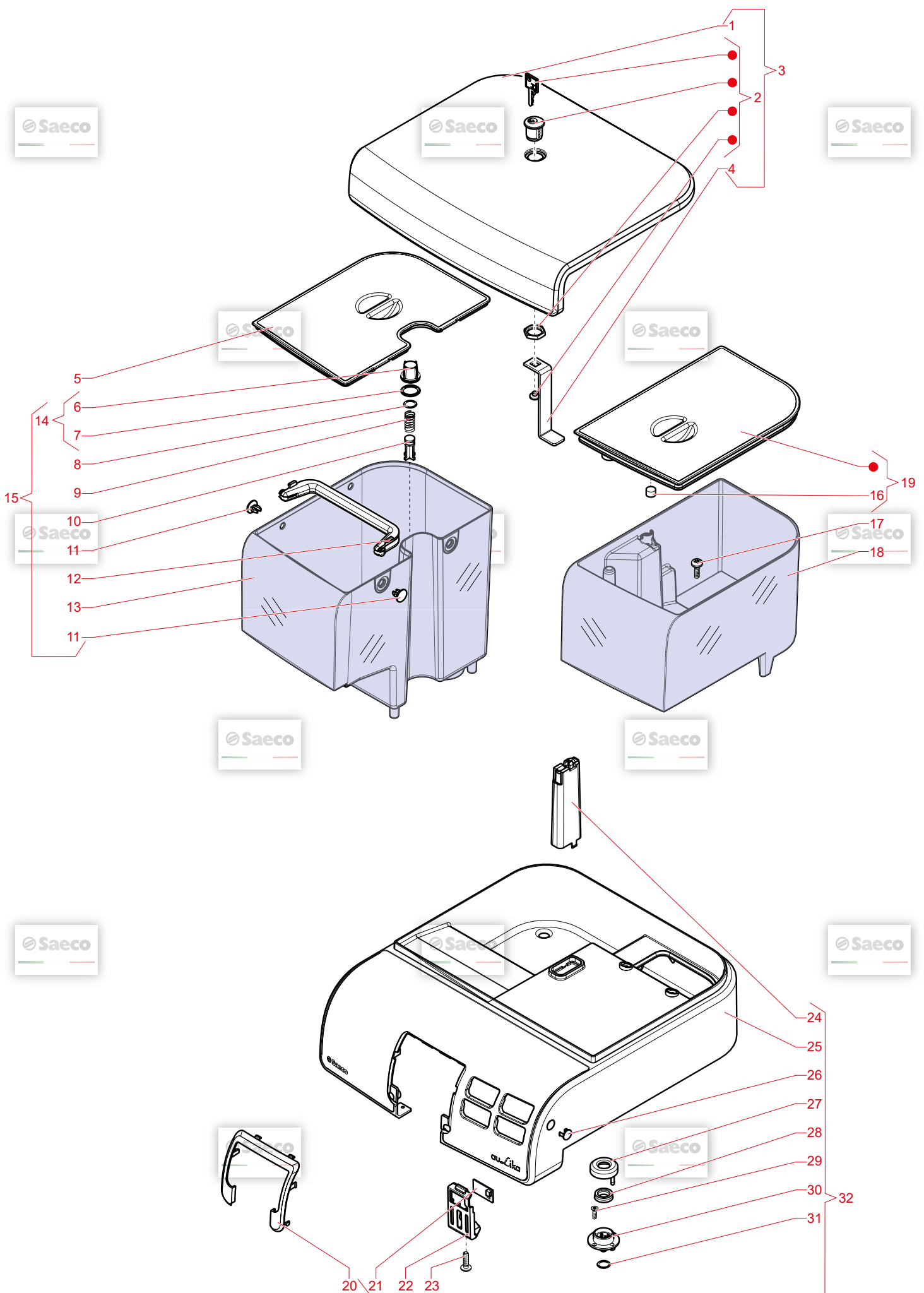
23/04/2019

05

C0153X00

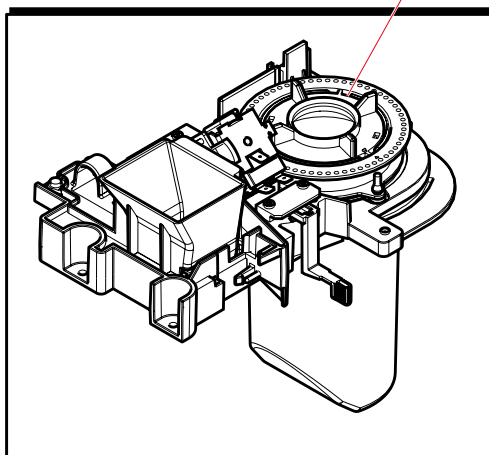
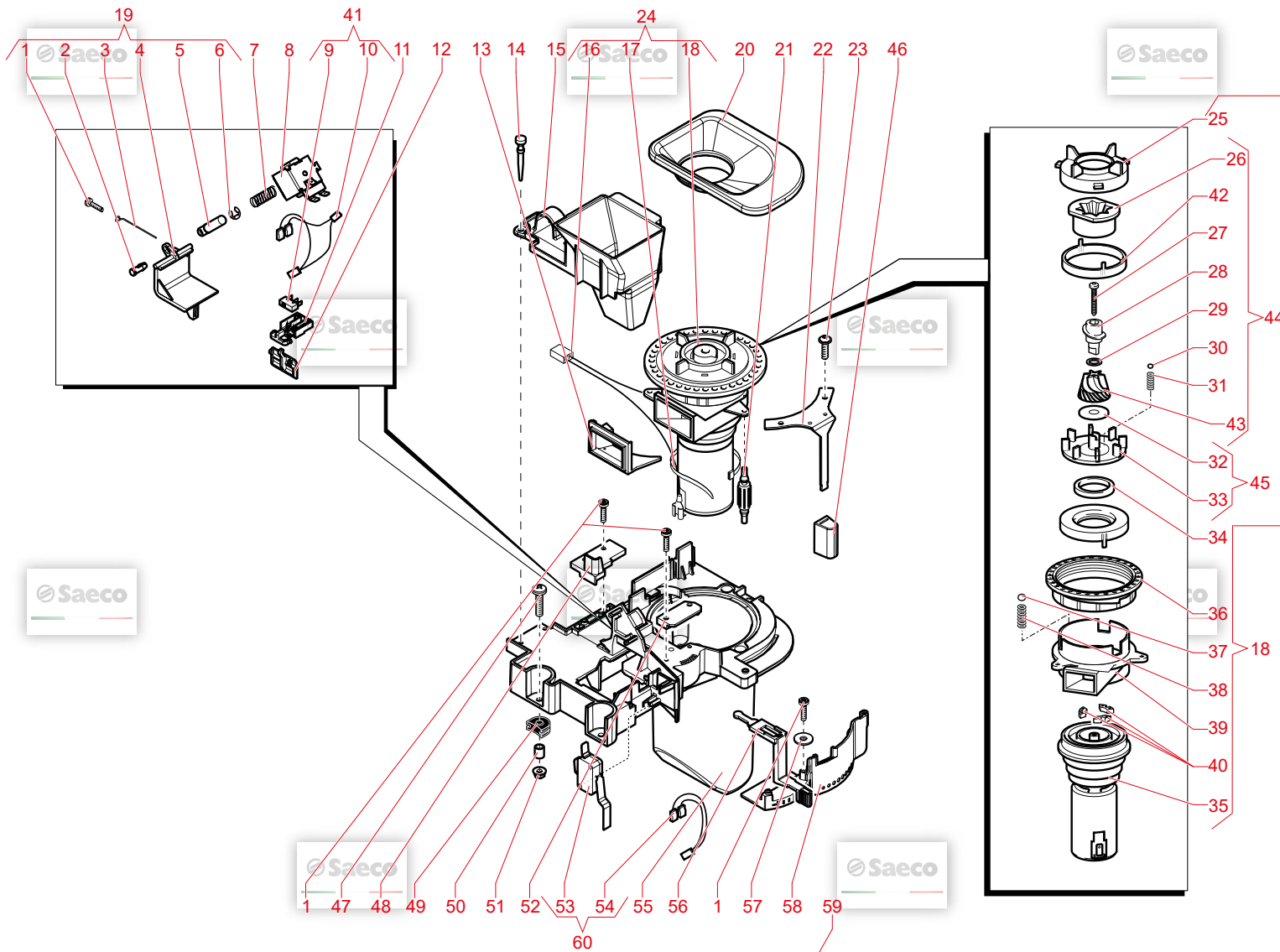
GAGGIO MONTANO

© by Saeco, a company of EVOCA Group



| N.POSI | COD          | I - DESCRIZIONE                  | UK - DESCRIPTION                   | F - DESCRIPTION                  | D - BEZEICHNUNG                  | E - DESCRIPCION                  |
|--------|--------------|----------------------------------|------------------------------------|----------------------------------|----------------------------------|----------------------------------|
| 1      | 421941301051 | COP.CONTENTITORI RYLO NER.DVERN. | UNPAINT.BLK CONTAINERS LID RYLO    | COUVERCLE                        | Türschloß Meroni 337             | SERRATURA MERONI 337             |
| 2      | 12001902     | SERRATURA MERONI 337             | LOCK MEROINI 337                   | SERRURE MERONI 337               | BLK W/LOCK CONTAINERS LID RYLO A | AS.COP.CONT.C/SERRATURA RYLO NER |
| 3      | 11035209     | AS.COP.CONT.C/SERRATURA RYLO NER | BLK W/LOCK CONTAINERS LID RYLO A   | PLAQUE DE SERRURE POUR COUVERCLE | STEEL CONTAINERS LID LOCK BRACKE | STEEL CONTAINERS LID LOCK BRACKE |
| 4      | 17001987     | STAFFA SERRATURA COP.CONT.RYLO A | STEEL CONTAINERS LID LOCK BRACKE   | PLAQUE DE SERRURE POUR COUVERCLE | BLACK WATER CONTAINER LID RYLO   | BLACK WATER CONTAINER LID RYLO   |
| 5      | 11025848     | COP.CONT.ACCQ.RYLO NER.          | BLACK WATER CONTAINER LID RYLO     | COUVERCLE BAC EAU NOIR           | Wasserfilter                     | FILTRO EST.CONT.ACCQ.BIA.        |
| 6      | 144650800    | FILTRO EST.CONT.ACCQ.BIA.        | WHITE WATER CONTAINER EXT.FILTER   | FILTRE POUR RESERVOIR A EAU      | O RING 0190-10 EPDM              | FILTRO EST.CONT.ACCQ.BIA.        |
| 7      | 140328461    | OR ORM 0190-10 EPDM              | OR ORM 0190-10 EPDM                | JOINT OR 0190-10 EPDM            | O RING 0190-10 EPDM              | OR ORM 0190-10 EPDM              |
| 8      | 140324362    | OR ORM 0060-30 SILICONE          | OR ORM 0060-30 SILICONE            | JOINT DE BAC 0060-30             | O RING 0060-30 Silicon schwarz   | OR ORM 0060-30 SILICONE          |
| 9      | 126764718    | MOLLA CILINDR.VALV.CONT.ACQ.INOX | SS WATER CONTAINER VALVE SPRING    | RESSORT DE VALVE                 | Druckfeder zu Wasser tankventil  | MOLLA CILINDR.VALV.CONT.ACQ.INOX |
| 10     | 147660562    | PIST.VALV.CONT.ACQ.GRI.          | GREY PISTON FOR WATER CONTAINER    | PISTON X VALVE BAC EAU           | Ventil Wasserbehälter MA. RO. VI | PIST.VALV.CONT.ACQ.GRI.          |
| 11     | 17001255     | TAPPO MANIGLIA CONT.ACQ.RYL NER. | BLACK PLUG FOR WATER CONTAIN.HAN   | BOUCHON POIGNEE BAC EAU          | BLACK PLUG FOR WATER CONTAIN.HAN | TAPPO MANIGLIA CONT.ACQ.RYL NER. |
| 12     | 11025847     | MANIGLIA CONT.ACQ.RYLO NER.      | BLACK HANDLE WATER CONTAINER LID   | POIGNEE BAC EAU NOIR             | BLACK HANDLE WATER CONTAINER LID | MANIGLIA CONT.ACQ.RYLO NER.      |
| 13     | 11029967     | CONT.ACQ.RYLO GRI/TRASP.SER.     | TRANSP/GREY WATER CONTAINER S/SC   |                                  |                                  |                                  |
| 14     | 224640200    | AS.FILTRO EST.CONT.ACQ.BIA.      | WHITE WATER CONTAINER EXT.FILTER   |                                  |                                  |                                  |
| 15     | 11025846     | AS.CONT.ACQ.RYLO GRI/TRASP.      | TRANSP/GREY WATER CONTAINER RYLO   | ENS. FILTRE EXT.POUR BACS A EAU  | SCHMUTZSIEB ( MIT POS.25 )       | AS.FILTRO EST.CONT.ACQ.BIA.      |
| 16     | 11004160     | MAGNETE D=6 H=4 COP.CONT.CAF.GRA | D=6 H=4 MAGNET P0049               | BAC A EAU COMPLET                | TRANSP/GREY WATER CONTAINER RYLO | AS.CONT.ACQ.RYLO GRI/TRASP.      |
| 17     | 12001431     | VITE TCB 3X12 PLAST.INOX         | SCREW TCB TORX 10 3X12 PLAST.SS    | MAGNETE D=6 H=4 COP.CONT.CAF.GRA | Magnet D=6 H=4 P0049             | MAGNETE D=6 H=4 COP.CONT.CAF.GRA |
| 18     | 11025841     | CONT.CAF.GRA.RYLO GRI/TRASP.     | TRANSP/GREY BEAN CONTAINER RYLO    | VIS TCB 3X12 PLAST.INOX          | Tox 10 3x12                      | VITE TCB 3X12 PLAST.INOX         |
| 19     | 11025844     | AS.COP.CONT.CAF.GRA.RYLO NER.    | BLACK BEAN COFFEE CONTAIN.LID RY   | BAC CAFE GRAIN                   | BLACK BEAN COFFEE CONTAIN.LID RY | AS.COP.CONT.CAF.GRA.RYLO NER.    |
| 20     | 11030103     | FRONT.RYLO VERN.CRC              | CRC FRONT PANEL RYLO               | COUVERCLE BAC CAFE NOIR          | BLACK BEAN COFFEE CONTAIN.LID RY | FRONT.RYLO VERN.CRC              |
| 21     | 421941306721 | AS.CPU+SW SENS.ACC. V3           | CPU+SW WATER LEVEL SENSOR V3 ASS   | ENCADREMENT                      | CRC FRONT PANEL RYLO             | AS.COP.CONT.CAF.GRA.RYLO NER.    |
| 22     | 17001444     | SUPP.SENS.CAPACTIVO LIVEL.ACQ.R  | BLACK WATER LEVEL SENSOR SUPPORT   | PLATINE SENSEUR NIVEAU D EAU     | CPU+SW WATER LEVEL SENSOR V3 ASS | CPU+SW WATER LEVEL SENSOR V3 ASS |
| 23     | 12000450     | VITE TCBR 3,5X12 PLAST.ZN        | SCREW TCBR TORX 10 3,5X12 PLAST.ZN | SUPPORT DE CAPTEUR DE NIVEAU D E | BLACK WATER LEVEL SENSOR SUPPORT | SUPP.SENS.CAPACTIVO LIVEL.ACQ.R  |
| 24     | 17000829     | SUPP.SENS.CONT.CAF.GRA.RYLO NER. | BLACK BEAN CONTAINER SENSOR SUPP   | VIS TCBR TORX 10 3,5X12 PLAST.ZN | TORXSCHRAUBE 3,5X12              | VITE TCBR 3,5X12 PLAST.ZN        |
| 25     | 20007783     | KIT RIC.COP.CARC.RYLO/O NER/TXO  | KIT SPARES TXO/BLK CASING COV.S/   | SUPPORT SENSEUR BAC CAFE RYLO NO | BLACK BEAN CONTAINER SENSOR SUPP | SUPP.SENS.CONT.CAF.GRA.RYLO NER. |
| 26     | 17000422     | PIAS.INFRAROSSI RYL TRASP.       | TRANSP/INFRA REDS PLATE RYL        | PLAQUE INFRAROUGE                | KIT SPARES TXO/BLK CASING COV.S/ | KIT RIC.COP.CARC.RYLO/O NER/TXO  |
| 27     | 0701.031.150 | COP.GUARN.GACO DIM 14 VALV.ACQ.G | NRB WATER VALVE GACO DIM 14 SEA    | CACHE JOINT GRIS                 | TRANSP/INFRA REDS PLATE RYL      | PIAS.INFRAROSSI RYL TRASP.       |
| 28     | 145842300    | GUARN.GACO DIM14 VALV.CONT.ACQ.N | SREW WATER CONT.VALVE GACO DIM14   | JOINT GACO                       | Ventil kappe grau                | COP.GUARN.GACO DIM 14 VALV.ACQ.G |
| 29     | 12000895     | VITE TSP 3X10 PLAST.INOX         | SCREW TSP TORX 10 3X10 PLAST.SS    | VIS TSP 3X10 PLAST.INOX          | Lippendichtung GACO DIM 14       | GUARN.GACO DIM14 VALV.CONT.ACQ.N |
| 30     | 0701.014.150 | CONT.GUARN.GACO DIM 14 VALV.ACQ. | OR ORM 0080-20 TERMOIL             | SUPPORT JOINT                    | TORXSCHRAUBE 3X10                | CONT.GUARN.GACO DIM 14 VALV.ACQ. |
| 31     | 140320461    | OR ORM 0080-20 TERMOIL           | OR ORM 0080-20 TERMOIL             | JOINT DE PIPEPTE 0080-20         | Ventilunterteil grau             | OR ORM 0080-20 TERMOIL           |
| 32     | 11035208     | AS.COP.CARC.RYLO/O BLK SER.      | BLK CASING COVER S/SCR.RYLO/O AS   | BLK CASING COVER S/SCR.RYLO/O AS | O-Ring 0080-20 Wassereinlaufstut | AS.COP.CARC.RYLO/O BLK SER.      |

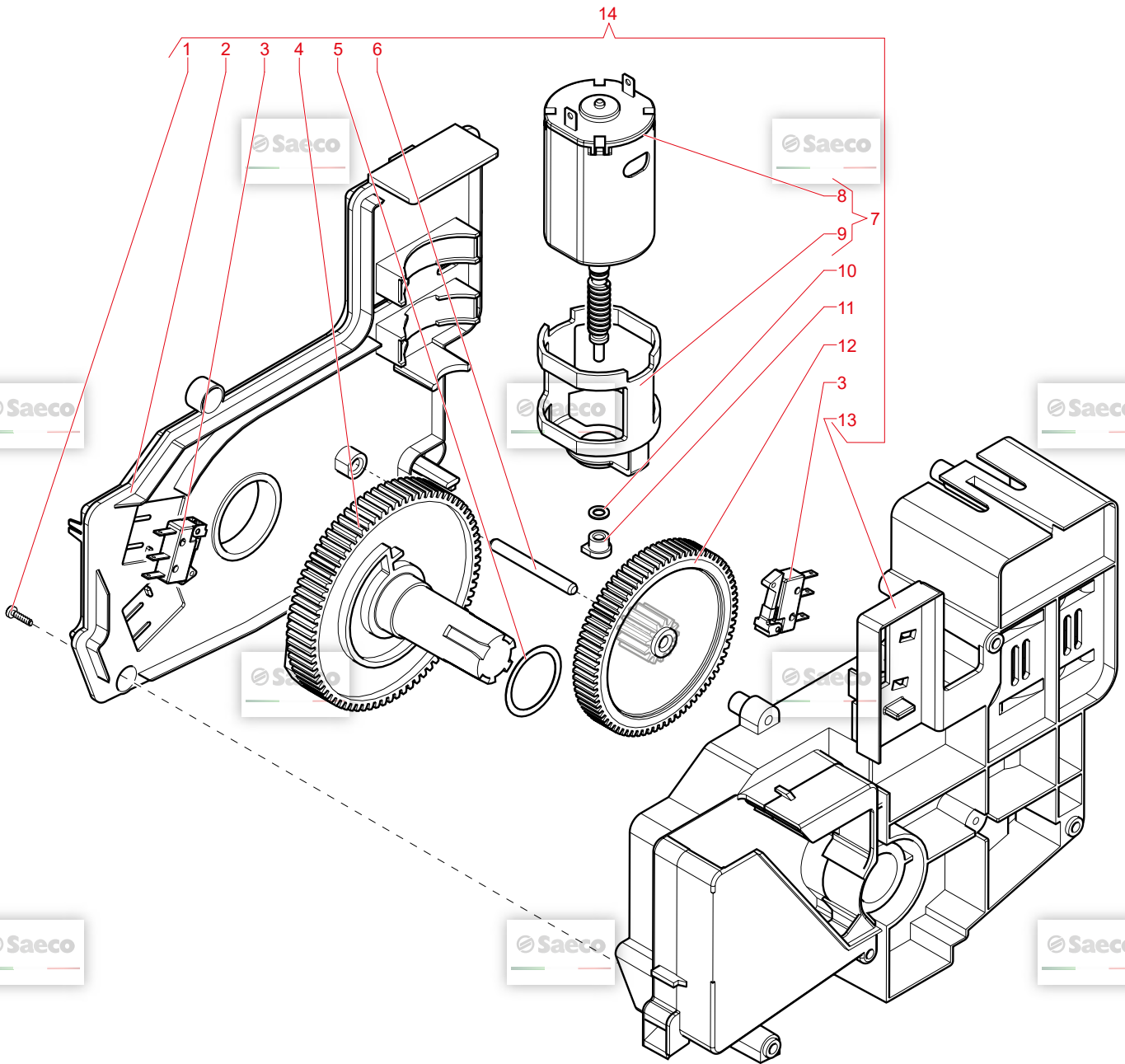




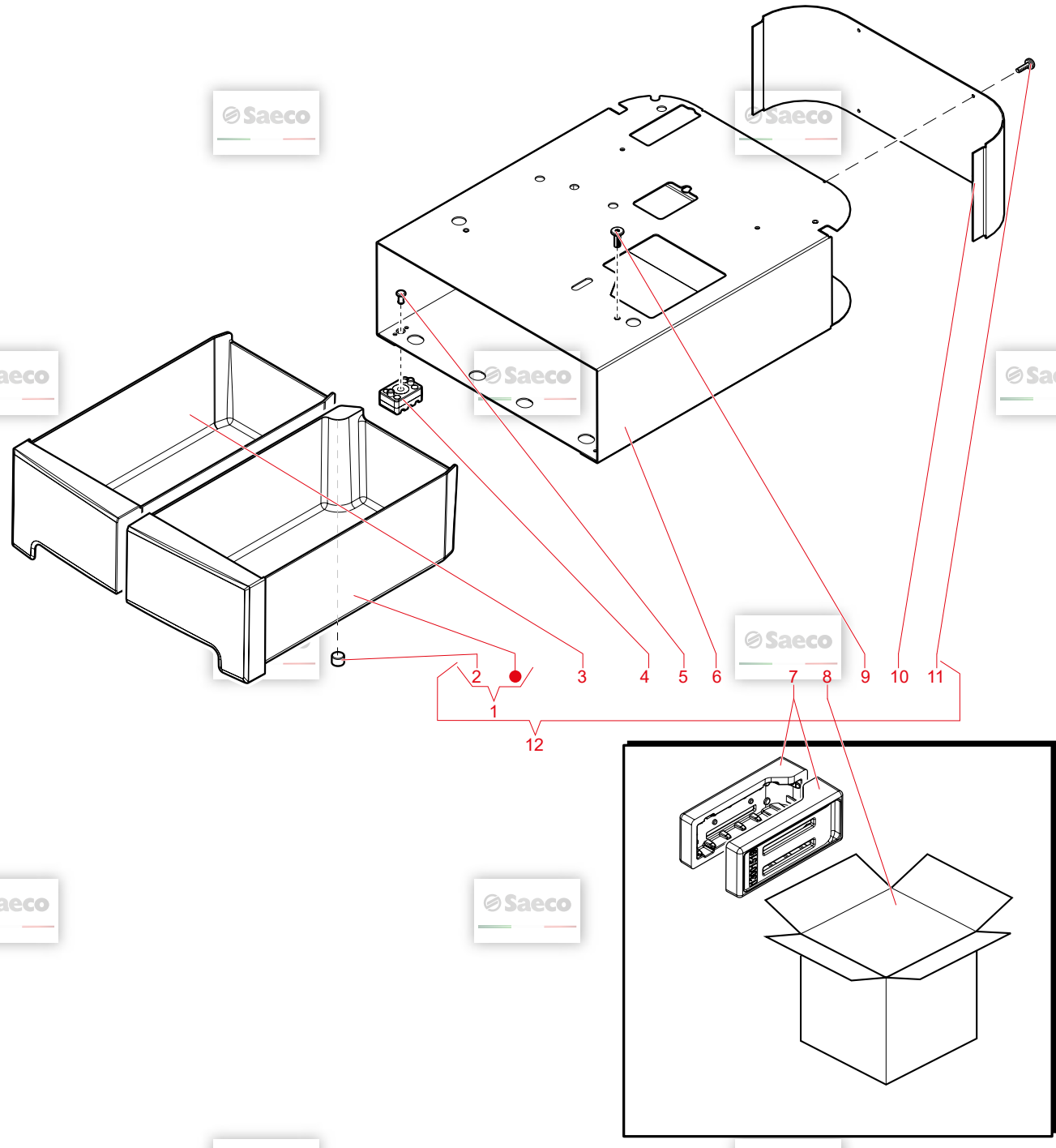
| N.POSI | COD          | I - DESCRIZIONE                   | UK - DESCRIPTION                  | F - DESCRIPTION                  | D - BEZEICHNUNG                    | E - DESCRIPCION                   | NOTE |
|--------|--------------|-----------------------------------|-----------------------------------|----------------------------------|------------------------------------|-----------------------------------|------|
| 1      | 129913902    | VITE TCB 3X12 PLASTZN-B           | SCREW TCB TORX 10 3X12 PLASTZN-   | VIS TCB 3X12 PLASTZN-B           | Torx-Schraube 3x12 ZN-B            | VITE TCB 3X12 PLASTZN-B           |      |
| 2      | 9161.076.150 | PERNO SPORT.DOS.CAF.MAC.GRI.      | STEEL GROUND COF.DOSER DOOR PIN   | AXE PORTIERE DE DOSEUR           | Verschlußbolzen Dosierer MA        | PERNO SPORT.DOS.CAF.MAC.GRI.      |      |
| 3      | 9161.048     | ASTA RASATORE DOS.CAF.MAC.ACC.    | STEEL GROUND COF.DOSER SCRAPER R  | AGUILLE D'ARASAGE                | Feder Dosierklappe MA, VI          | ASTA RASATORE DOS.CAF.MAC.ACC.    |      |
| 4      | 9161.074.150 | SPORT.DOS.CAF.MAC.GRI.            | GREY GROUND COFF.DOSER DOOR       | PORTE DE DOSEUR                  | Klappe Dosierer MA, RO, PR         | SPORT.DOS.CAF.MAC.GRI.            |      |
| 5      | 9161.041     | NUCLEO ELASTICO.DOS.CAF.MAC.ACC.  | SNAP RING 7 UNI 7434              | CONTACT DE BOBINE DOSEUR         | Eisenkern 9x40 Dosiermagnetservice | NUCLEO ELASTICO.DOS.CAF.MAC.ACC.  |      |
| 6      | U701.003     | ANELLO ELASTICO 7 UNI 7434        | SPRING ELECTROM.BEAN DOSER MAGIC  | RESSORT D'ELECTRO AIMANT DOS.CAF | Feder zu Elektromagnet             | ANELLO ELASTICO 7 UNI 7434        |      |
| 7      | 126764818    | MOLLA X ELETTROM.DOS.CAF.GRANI MA | DOSEUR COIL FOR SUPERAUTOM.24V DC | ESSOR BOBINES DOSEUR 24VDC       | DOSEUR COIL FOR SUPERAUTOM.24V DC  | MOLLA X ELETTROM.DOS.CAF.GRANI MA |      |
| 8      | 11025734     | AS.BOBINA DOSATORE SUPERAUTOM.24  | MICROSWITCH                       | MICRO CONTACT DE MOUTURE         | Mikroschalter Dosierer MA, RO      | AS.BOBINA DOSATORE SUPERAUTOM.24  |      |
| 9      | NE05.017     | MICROINTERRUTTORE                 | 4P.CONN.COIL+DOSEUR MICRO V2 RYL  | CONNECTION 4 POLES MICRO DOSEUR  | 4P.CONN.COIL+DOSEUR MICRO V2 RYL   | MICROINTERRUTTORE                 |      |
| 10     | 421946000541 | AS.CONN.4P.BOBINA+MICRO DOSAT.V2  | GREY MICRO SUPP.CURSOR GROUND CO  | SUPPORT MICRO CONTACT            | Halterung Dosiermikro MA           | COURSEUR SUPP.MICRO DOS.CAF.MAC.G |      |
| 11     | 9161.072.150 | COURSEUR SUPP.MICRO DOS.CAF.MAC.G | GREY GROUND COF.DOSE CONTROL COM  | PLAQUE CONTR.DOSE CAFE           | Schaltplättchen grau               | COURSEUR SUPP.MICRO DOS.CAF.MAC.G |      |
| 12     | 9161.073.150 | BILANCERE CONTROL.DOSE CAF.MAC.G  | COFFEEGRINDER SEAL                | GARNITURE DOSEUR                 | Dichtung Mühle                     | BILANCERE CONTROL.DOSE CAF.MAC.G  |      |
| 13     | 1505.014     | GUARNIZIONE DOSATORE              | RUBBER COUPLER                    | FIXATION CAOUTCHOUC              | Gummikupplung                      | GUARNIZIONE DOSATORE              |      |
| 14     | 9161.082     | AGGANCIO IN GOMMA                 | BLACK HOPPER FOR POWDER COFFEE R  | CONDUIT DOSE CAFE NOIR           | BLACK HOPPER FOR POWDER COFFEE R   | AGGANCIO IN GOMMA                 |      |
| 15     | 17000176     | TRAMOGGIA DOSE CAF.MAC.RYL.NER.   | 2P.CONN.GRINDER MOTOR V2 RYL UL   | CONNECTEUR 2 POLES               | Kabelbinder, l=200mm               | TRAMOGGIA DOSE CAF.MAC.RYL.NER.   |      |
| 16     | 421946000531 | AS.CONN.2P.MOTOR MC V2 RYL UL     | SELF LOCK STRIP W=2,6 L=200       | COLLIER AUTOSERRANT L=200MM      | Mahlwerkmotor, kopt. 230V MA-RD    | AS.MACINACAFFE STD 230V           |      |
| 17     | 144320200    | FASCIETTA AUTOBLOC.W=2,6 L=200 B  | GREY GRINDER STD.230V ASSY.       | MOULIN CAFE COMPLET 230 V STD.   | GREY GROUND COF.DOSER DOOR ASSY.   | FASCIETTA AUTOBLOC.W=2,6 L=200 B  |      |
| 18     | 9140.036.00A | AS.MACINACAFFE STD 230V           | COFFEE GRINDER SOUNDPROOFING COV  | COUVERCLE INSONORISE             | Abdeckung/Schallschutz Mahlwerk    | AS.SPORT.DOS.CAF.MAC.GRI.         |      |
| 19     | 9140.017     | AS.SPORT.DOS.CAF.MAC.GRI.         | ANTIVIBRATION FOR COFFEEGRINDER   | SILENT BLOC                      | Schwingungsdämpfer VI              | COP.INSONORIZAZIONE MC RYL.NER.   |      |
| 20     | 17000238     | COP.INSONORIZAZIONE MC RYL.NER.   | STEEL GRINDING ADJUSTMENT LEVER   | LEVIER DE REGLAGE MEULE          | Mahlgradeinstellhebel ROF          | ANTIVIBRANTE X MACINACAFFE'       |      |
| 21     | 9991.103     | ANTIVIBRANTE X MACINACAFFE'       | SCREW TCB TORX 10 3,5X12 PLAST.   | VIS TCB TORX 10 3,5X12 PLASTZN   | TORXSCHRAUBE 3,5X12                | LEVA REGOL.MACIN.ACC.             |      |
| 22     | 0333.008     | LEVA REGOL.MACIN.ACC.             | COFFEE GRINDER STD CALIBRATED 23  | SUPPORT MEULE SUPERIEUR          | Mahlringaufnahme                   | VITE TCBR 3,5X12 PLASTZN-N        |      |
| 23     | 12000450     | VITE TCBR 3,5X12 PLASTZN-N        | BLACK UPPER GRINDER SUPPORT MAGI  | MEULE SUPERIEUR                  | Mahlringaufnahme                   | AS.MACINACAFFE STD TARATO 230V    |      |
| 24     | 11027917     | AS.MACINACAFFE STD TARATO 230V    | UPPER GRINDER                     | MOTEUR SUPERIEUR                 | Mahlwerk                           | SUPPORTO MACINA SUPERIORE MAGIC   |      |
| 25     | 149186150    | SUPPORTO MACINA SUPERIORE MAGIC   | TORX SCREW T10 TCB 3,5X40 SX ZNG  | VIS DE FINESSE                   | Torx-Schraube T10 TCB 3,5x40 lin   | MACINA SUPERIORE                  |      |
| 26     | 9141.039     | MACINA SUPERIORE                  | BLK INCREASE SCREW PIN COF.GRIND  | RONDELLE                         | Mahlschnecke MA, RO, VI            | VITE TORX T10 TCB 3,5X40 SX ZNG   |      |
| 27     | 129931002    | VITE TORX T10 TCB 3,5X40 SX ZNG   | PLAIN WASHER 10X16X0,2DIN 988 GA  | SPHERE D 5,5                     | Unterflanschscheibe ø10x16x0,2 DIN | PERNO INCREMENTO A VITE MC MAGIC  |      |
| 28     | 147470763    | PERNO INCREMENTO A VITE MC MAGIC  | STAIL STEEL AISI 304 SPHERE D=5,  | RESSORT SPHERE D5,5              | Kugel ø 5,5mm für Rutschkupplung   | ROSETTA PIANA 10X16X0,2DIN 988 Z  |      |
| 29     | U201.002     | ROSETTA PIANA 10X16X0,2DIN 988 Z  | STEEL SPRING SPHERE D=5,5 MOTOR   | RESSORT DE SPHERE                | Feder Rutschkupplung MA, RO, VI    | SFERA D=5,5MM ACCIAIO INOX AISI   |      |
| 30     | 126765517    | SFERA D=5,5MM ACCIAIO INOX AISI   | SAFETY RING                       | SUPPORT RING                     | Metalleinsatz zu Support Mahlwer   | MOLLA ACC.X SFERA D=5,5 MOTORE M  |      |
| 31     | 126765517    | MOLLA ACC.X SFERA D=5,5 MOTORE M  | BLACK LOWER GRINDER SUPPORT MAGI  | SUPPORT DE MEULE INF.            | Support zum Mahlwerk unten         | ANELLO DI SICUREZZA               |      |
| 32     | 9141.042     | ANELLO DI SICUREZZA               | FELT RING 40X34X5                 | ANNEAU FEUTRE 40'DI=34 HE=5      | Filtzring                          | ANELLO DI SICUREZZA               |      |
| 33     | 9141.028     | SUPPORTO MACINA INFERIORE MAGIC   | SPARE MOTOR UNIT MC 230V          | MOTEUR MOUTURE MAGIC NEW         | Mahlwerkmotor mit Getriebe 230V    | SUPPORTO MACINA INFERIORE MAGIC   |      |
| 34     | 140360200    | ANELLO IN FELTRO DE=40 DI=34 H=5  | RING NUT FOR GRINDING ADJUSTMENT  | BAGUE DE REGLAGE                 | Verstellung                        | ANELLO IN FELTRO DE=40 DI=34 H=5  |      |
| 35     | 0301.R10.00A | MOTORE COMPLETO 230V              | STAIL STEEL AISI 304 SPHERE D=3   | SPHERE INOX D=3mm                | Kugel ø 3,2mm Einstellring Mahlg   | MOTORE COMPLETO 230V              |      |
| 36     | 146570950    | GHIERA REGOLAZION MACINATURA MAG  | NEW SPRING SPHERE D=3,2 MOTOR MA  | RESSORT DE SPHERE                | Feder Einstellring ø 3,2 MA, RO, V | GHIERA REGOLAZION MACINATURA MAG  |      |
| 37     | 128610421    | SFERA D=3,2MM ACCIAIO INOX AISI   | BLACK COFFEE GRINDER MOTOR SUPPO  | SUPPORT MOTEUR                   | Motorhalterung Royal               | SFERA D=3,2MM ACCIAIO INOX AISI   |      |
| 38     | 126770117    | MOLLA NEW X SFERA D=3,2 MOTORE M  | SHOCK ABS. CONICAL GRINDER SUPP.  | AMORTISSEUR SUPPORT MEULE MAGIC  | Mitnehmer Gummi                    | MOLLA NEW X SFERA D=3,2 MOTORE M  |      |
| 39     | 9141.080     | MOLLA NEW X SFERA D=3,2 MOTORE M  | COIL WIRING+DOSEUR MICRO V2 RYL U | UPPER GRINDER COVER COFFEE GRIND |                                    | SUPP.MOTORE MC NER.               |      |
| 40     | 140230400    | AMMORTIZ.X SUPPORTO MACINA CONIC  | UPPER GRINDER COVER COFFEE GRIND  | CONICAL GRINDER                  | Mahlringabdeckung                  | AMMORTIZ.X SUPPORTO MACINA CONIC  |      |
| 41     | 421946000921 | AS.CABL.BOBINA+MICRO DOSAT.V2 RY  | KIT ITAL MILL GRINDERS            | KIT MEULE                        | Mahlkegel                          | COPERT X MACINA SUPER.MACINACAF.  |      |
| 42     | 142844550    | COPERT X MACINA SUPER.MACINACAF.  | CONICAL GRIND. SUPP. + RING MAGI  | POIGNEE MEULE CONIQUE            | Mahlkegel + Mahlring MA, RO, VI,   | MACINA CONICA                     |      |
| 43     | 9141.040     | MACINA CONICA                     | BLK GRINDING ADJUST LING HANDGR   | VIS TCB TORX 20 MAX16 ZN-B       | Griffteil Einstellhebel ROF        | SUPPORT C/ANEL X MACINA CONICA MA |      |
| 44     | 226477700    | KIT MACINE ITAL MILL              | ZN-B TCB TORX 20 MAX16 ZN-B       | VIS TCB TORX 20 MAX16 ZN-B       | LINSEN BLECHSCHR. MTCB TORX 20 M   | IMPUGN.LEVA REGUL.MACIN ROYAL NE  |      |
| 45     | 149188750    | SUPPOR C/ANEL X MACINA CONICA MA  | GREY COVER FOR DOSEUR HOLE RYL    | COUVERCLE GRIS DOSEUR            | GREY COVER FOR DOSEUR HOLE RYL     | VITE TCB TORX 20 MAX16 ZN-B       |      |
| 46     | 0333.009     | IMPUGN.LEVA REGUL.MACIN ROYAL NE  | RUBBER FOR COFFEE GRINDER         | SILENT BLOC CAFE MOULU           | Gummihalterung Mahlwerkmotor MA    | COP.FORO DOSATORE RYL GRI.        |      |
| 47     | U043.004     | VITE TCB TORX 20 MAX16 ZN-B       | SPACER FOR RUBBER                 | RONDELLE D'ECARTEMENT            | Distanzhülse                       | GOMMINO X MACINACAFFE'            |      |
| 48     | 17001155     | COP.FORO DOSATORE RYL GRI.        | GREY GROUND COF.DOSER LEVER FIXI  | ECROU                            | Sechskantmutter M4 DIN 934         | COP.FORO DOSATORE RYL GRI.        |      |
| 49     | 9991.005     | GOMMINO X MACINACAFFE'            | MICROSWITCH                       | PLAQUE DE FIXATION               | Montageplättchen MA                | GOMMINO X MACINACAFFE'            |      |
| 50     | 9141.003     | DISTANZIALE X GOMMINO             | 2P.CONN.DOOR MICRO V2 RYL UL ASS  | MICRO INTERRUPTEUR               | Microtagelplättchen MA             | DISTANZIALE X GOMMINO             |      |
| 51     | U324.006     | DADO M4 FLANGIATO BASE DENTELLAT  | GREY PLATE COFFEEGRINDER MAGIC/R  | PLAQUE SUPPORT MOULIN            | Montageplatte Mühle grau Royal     | DADO M4 FLANGIATO BASE DENTELLAT  |      |
| 52     | 9161.097.150 | PIAST.FISSAG.LEVA.DOS.CAF.MAC.GR  | DOSE ADJUSTMENT LEVER DE LUXE GR  | LEVIER DE REGLAGE CAFE           | Hebel Dosiermenge MA               | PIAST.FISSAG.LEVA.DOS.CAF.MAC.GR  |      |
| 53     | 12001605     | MICROINTERRUTTORE                 | PLAIN WASHER 3,2X9 DIN 7349 GALV  | RONDELLE                         | Scheibe 3,2 DIN 7349 verz.         | MICROINTERRUTTORE                 |      |
| 54     | 421946000501 | AS.CONN.2P.MICRO SPORTV2 RYL UL   | GRY COFF.GRINDING/DOSE ADJUST.SC  | GRADUATION REGLAGE DOSE CAFE     | GRY COFF.GRINDING/DOSE ADJUST.SC   | PIAST.MC MAGIC/ROYAL GRI.         |      |
| 55     | 1491365.150  | PIAST.MC MAGIC/ROYAL GRI.         | PLATE COFFEE GRIN.V2 GEN.RYLO 23  |                                  |                                    | LEVA X REGOLAZIONE DOSE DE LUXE   |      |
| 56     | 9161.077.150 | LEVA X REGOLAZIONE DOSE DE LUXE   | MICROSWITCH DOOR V2 RYL UL ASSY.  |                                  |                                    | ROSETTA PIANA 3,2X9 DIN 7349 ZNP  |      |
| 57     | U201.001     | ROSETTA PIANA 3,2X9 DIN 7349 ZNP  |                                   |                                  |                                    | SCALA REGOL.DOSE E MACIN.CAF.RYL  |      |
| 58     | 17000852     | SCALA REGOL.DOSE E MACIN.CAF.RYL  |                                   |                                  |                                    | AS.GEN.PIAS.MC RYLO 230V V2       |      |
| 59     | 11036571     | AS.GEN.PIAS.MC RYLO 230V V2       |                                   |                                  |                                    | AS.MICRO SPORT.V2 RYL UL          |      |
| 60     | 421946000911 | AS.MICRO SPORT.V2 RYL UL          |                                   |                                  |                                    |                                   |      |







| N.POSI<br>COD | I - DESCRIZIONE | UK - DESCRIPTION                   | F - DESCRIPTION                   | D - BEZEICHNUNG                   | E - DESCRIPCION                  |
|---------------|-----------------|------------------------------------|-----------------------------------|-----------------------------------|----------------------------------|
| 1             | 129670202       | TCB PANELVIT SCREW 3.5X16 TESTA    | VIS TCB 3.5X16 TESTA D=8 ZNP      | Blechschraube ST 3.5X16-Z1-C ver  | VITE PANELVIT TCB 3.5X16 TESTA D |
| 2             | 17000719        | GREY RATIO MOTOR LID RYL           | MILARD POUR MOTOREDUCTEUR         | Deckel Getriebegehäuse grau       | COP.MOTORID.RYL GRI.             |
| 3             | NE05.038        | MICROSWITCH 30V 0.3A               | MICRO INTERRUPTEUR                | MIKROSCHALTER                     | MICROINTERRUTTORE 30V 0.3A       |
| 4             | 11007137        | BLACK GEAR Z=77 V/2 FOR RATIO MOTO | ENGRENAGE Z=77 MOTORID.V2 P124 N  | Zahnrad Z=77 V2 P124 schwarz      | INGR.Z=77 MOTORID.V2 P124 NER.   |
| 5             | 9161.368        | MYLAR WASHER FOR RATIO MOTOR       | RONDELLE MOTOREDUCTEUR            | UNTERLEGSCHLEIBER GETRIEBEMOTOR   | RONDELLA MYLAR X MOTORIDUTTORE   |
| 6             | 9121.039        | STEEL PIN FOR RATIO MOTOR GEAR MA  | STEEL PIN FOR RATIO MOTOR GEAR MA | STEEL PIN FOR RATIO MOTOR GEAR MA | PERNO INGR.MOTORID.MAGIC ACC.    |
| 7             | 11005214        | MOTOR FOR RATIO MOTOR ASSY         | MOTEUR AVEC CONDENSATEUR          | MOTOR GETRIEBE                    | AS.MOTORE MOTORIDUTTORE          |
| 8             | 11003037        | MOTOR FOR RATIO MOTOR ASSY         | MOTEUR REDUCTEUR + CONDENSATEUR   | GServiceitemotor.V2 Talea, Ode    | AS.MOTORE MOTORID.C/COND.        |
| 9             | 9121.044        | ANTIVIBRATION FOR MOTOR            | AMORTISSEUR MOTEUR                | VIBRATIONSDAEMPFER                | ANTIVIBRANTE X MOTORE            |
| 10            | 148380200       | BAKELIZATE WASHER D=5.5            | RONDELLE D=5.5                    | DISTANZSCHEIBE BAKELIT            | RONDELLA D=5.5 IN TELA BAKELIZZA |
| 11            | 9121.046        | BRONZE SINTERED BUSH FOR MOTOR R   | JOINT DE MOTEUR                   | SINTERBUSCHSE                     | BOCC.SINTERIZ.MOTORE MOTORID.BRO |
| 12            | 146002800       | GREY GEAR Z=13/90 FOR RATIO MOTOR  | ENGRENAGE Z=13/90 MOTOREDUCTEUR   | Zahnrad Z=13/90 grau P124         | INGR.Z=13/90 MOTORID.P124 GRI.   |
| 13            | 11026258        | GREY RATIO MOTOR CASING WITH TUBE  | CARCASSE MOTOREDUCTEUR AVEC CANA  | GEHÄUSE GETRIEBE GRAU             | AS.CARC.MOTORID.C/CANALINO RYL G |
| 14            | 11034990        | RATIO MOTOR RYL V2 ASSY.           | RATIO MOTOR RYL V2 ASSY.          | RATIO MOTOR RYL V2 ASSY.          | AS.MOTORID.RYL V2                |



| N.POSI<br>COD | I - DESCRIZIONE | UK - DESCRIPTION                 | F - DESCRIPTION                  | D - BEZEICHNUNG                  | E - DESCRIPCION                  |
|---------------|-----------------|----------------------------------|----------------------------------|----------------------------------|----------------------------------|
| 1             | 421941302451    | UNPAINT.BASE DUMP BOX RYLO ASSY. | FLOTTEUR MAGNETIQUE              | MAGNET                           | MAGNETE X GALLEGGIANTE SUPERAUT. |
| 2             | 9161.111        | MAGNET FOR FLOAT SUPERAUT.       | PIED RIGIDE                      | Gehäusefuß                       | PIEDINO RIGIDO MYB9 NER/TRASP    |
| 3             | 421941302421    | UNPAINT.BASE REPOSITORY DRAWER R | PIVOT DE FIXATION PIED           | Fixierungsmase Gehäusefuß        | PERNO FISSAG.PIEDINO RIGIDO MYB9 |
| 4             | 11021829        | BLACK/TRANSP.RIGID FOOT MYB9     | AS.CARC.BASE V2 RYLO ACC.VERN.NE | AS.CARC.BASE V2 RYLO ACC.VERN.NE | AS.CARC.BASE V2 RYLO ACC.VERN.NE |
| 5             | 11021769        | BLACK RIGID FOOT FIXING PIN MYB9 | INSERT DE PROTECTION             | STYROPOREINSATZ                  | INS.SCATOLA BASE RYLO PS-E       |
| 6             | 421946005111    | BLK STEEL BASE CASING V2 RYLO AS | CARTON D'EMBALLAGE               | HAVANA BOX V2 BASE RYLO          | HAVANA BOX V2 BASE RYLO          |
| 7             | 13001519        | PS-E INSERT FOR BOX BASE RYLO    | VIS TORX M 4X10 TESTA D=8X1,5 ZI | TORXSCHRAUBE M4X10               | VITE TORX M 4X10 TESTA D=8X1,5 Z |
| 8             | 13001676        | HAVANA BOX V2 BASE RYLO          | BLK BASE REAR PANEL RYLO         | BLK BASE REAR PANEL RYLO         | BLK BASE REAR PANEL RYLO         |
| 9             | 129914302       | SCREW TORX M4X10 TESTA D=8X1,5 G | VIS TOB B 3.5X9.5 LAMIERA ZN-N   | TORXSCHRAUBE 3.5X9.5             | VITE TCB B 3.5X9.5 LAMIERA ZN-N  |
| 10            | 421944001181    | BLK BASE REAR PANEL RYLO         | BLK-BLK BASE RYLO ASSY.          | BLK-BLK BASE RYLO ASSY.          | AS.BASE RYLO/O NER-NER           |
| 11            | 12001622        | SCREW TCB TORX B 3.5X9.5 SCHEET  |                                  |                                  |                                  |
| 12            | 11035282        | BLK-BLK BASE RYLO ASSY.          |                                  |                                  |                                  |



NOTE

Aulika Office V2

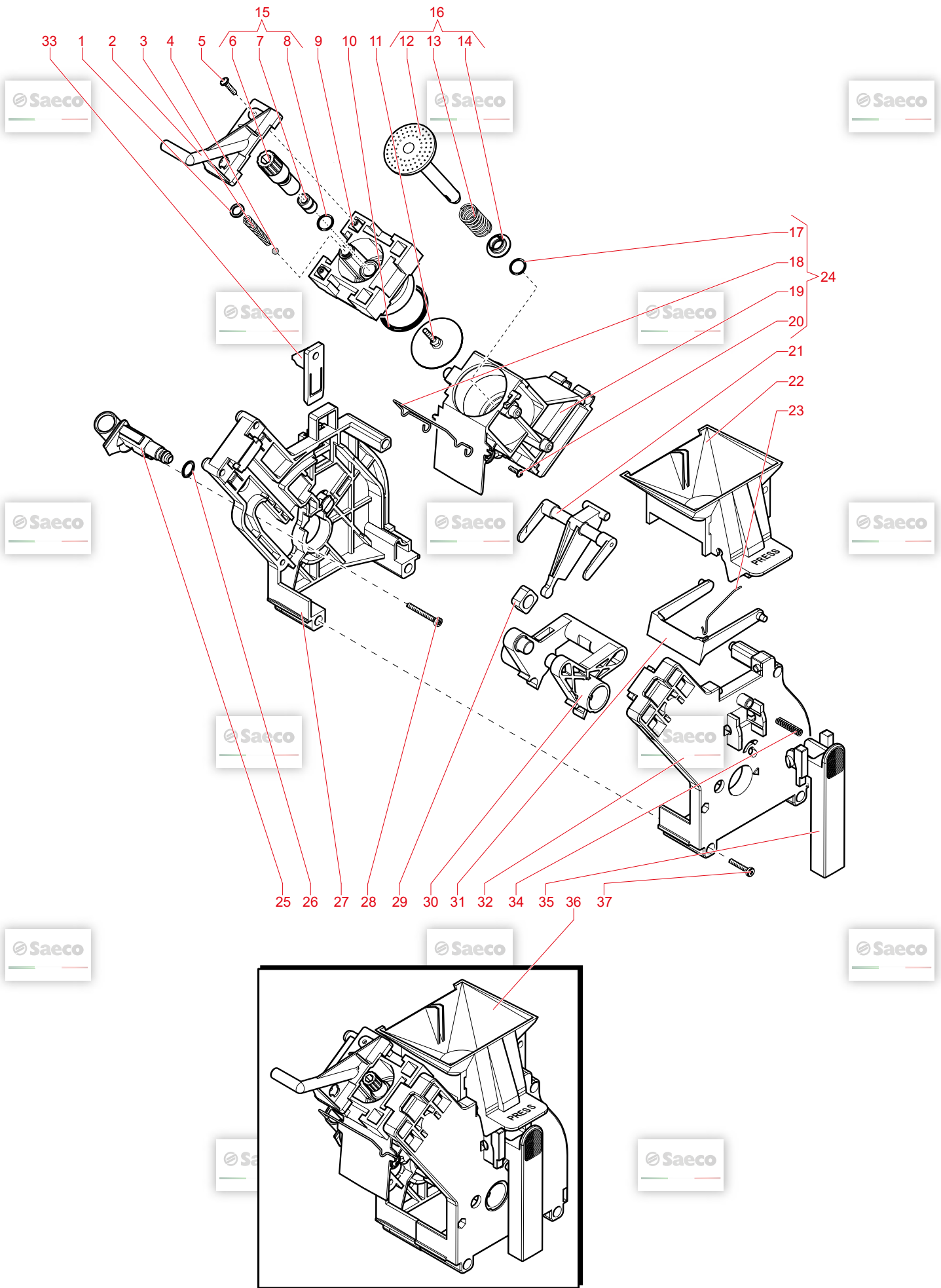
23/04/2019

09

C0153X00

GAGGIO MONTANO

© by Saeco, a company of EVOCA Group



| N.POSI COD | I - DESCRIZIONE | UK - DESCRIPTION                  | F - DESCRIPTION                  | D - BEZEICHNUNG                   | E - DESCRIPCION                   |
|------------|-----------------|-----------------------------------|----------------------------------|-----------------------------------|-----------------------------------|
| 1          | 11021334        | BLK COUNTERPISTON SEAL DE=11 DI=  | GARNITURE CONTRE PISTON          | Dichtung DE=11 DI=8 SP=1,4 zu Ko  | GUARNI DE=11 DI=8 SP=1,4 X CONTRO |
| 2          | 11003789        | BLACK COFF OUTLET SLEEVE BREW UN  | RESSORT SORTIE CAFE ROYAL        | Kaffeauslaßrohr Brühgruppe ROD    | MANICOT.USCITA CAF.GRUP.ROYAL NE  |
| 3          | 9161.222        | SS CONICAL SPRING                 | RESSORT CONIQUE                  | FEDER ZU CREMAVENTIL              | MOLLA CONICA INOX                 |
| 4          | 421944034451    | BOROSILICATE SPHERE D.5 MM        | SPHERE D.5 MM                    | BOROSILICATE SPHERE D.5 MM        | BOROSILICATE SPHERE D.5 MM        |
| 5          | 12002170        | SCREW TCB TORX 10 3X16 PLAST SS   | SCREW TCB TORX 10 3X16 PLAST SS  | SCREW TCB TORX 10 3X16 PLAST SS   | VITE TCB 3X16 TORX 10 PLAST.INOX  |
| 6          | 147472650       | PIN BLACK FOR PERCOLATOR          |                                  |                                   |                                   |
| 7          | NF11.067        | BRASS INSERT FOR PERCOLATOR LOCK  |                                  |                                   |                                   |
| 8          | 140324461       | OR ORM 0060-20 TERMOIL            | JOINT ORM 0060-20                | O- RING 0060-20                   | OR ORM 0060-20 TERMOIL            |
| 9          | 11003796        | BLACK BREW UNIT COUNTERPISTON M5  | CONTRÉPISTON GROUPE CAFE         | Anpresskolben Brühgruppe schwarz  | CONTROPIST.GRUP.M5000 NER.        |
| 10         | NM01.044        | OR ORM 0320-40 SILICONE PTFE/FDA  | JOINT OR 0320-40 SILICONE        | O-RING ORM 0320-40                | OR ORM 0320-40 SILICONE PTFE/FDA  |
| 11         | 9160.075        | PERCOLATOR DE=35.8 ELFO ASSY.     | GRILLE D 35.8                    | Sieb (geätzt) kpl. mit Stift      | AS.DOC CIA DE=35.8 ELFO C/VITE E  |
| 12         | 11003077        | BLK BREW UNIT INTEGRAL PISTON 8G  | PISTON GROUPE CAFE P124 8GR      | BRÜHKOLBEN UNTEN                  | AS.PIST.INTEGR.GRUP.8GR.NER.      |
| 13         | 9161.198        | SS.8GR.BREW UNIT PISTON SPRING    | RESSORT DU PISTON                | FEDER ZU KOLBEN                   | MOLLA PIST.GRUP.8GR.INOX          |
| 14         | 9161.191        | WHITE 8GR.-12GR.BREW UNIT PISTON  | RONDELLE DE BLOCAGE DU PISTON    | ARRETIERHÜLSE                     | BOC.PIST.GRUP.8GR.-12GR.BIA.      |
| 15         | 227470150       | PIN BLACK ASS.FOR PERCOLATOR      | AXE DE GRILLE                    | Siebhalterung schwarz Brühgruppe  | AS.PERNO X.DOC CIA COMPLETO NERO  |
| 16         | 11036010        | BLK 8GR.BREW UNIT NTEGR.PISTON G  | PISTON GROUPE CAFE               | BRÜHKOLBEN MIT FEDER+ ARRETIERUN  | AS.GEN.PISTONE INTEGR.GRUP.CAF.8  |
| 17         | NM02.018        | OR ORM 0090-25 TERMOIL            | JOINT ORM 0090-25 EPDM           | O-Ring ORM 0090-25 EPDM           | OR ORM 0090-25 TERMOIL            |
| 18         | 11001556        | MOLLA RASAT.H=49 SMART            | RESSORT RACLEUR                  | EINRASTFEDER H=49 BG              | MOLLA RASAT.H=49 GRUP.CAF.SMART   |
| 19         | 421944014611    | BLK COF.CONTAIN.BREW UNIT V2 M500 | CHAMBRE GROUPE CAFE NOIR V2 M500 | BLK COF.CONTAIN.BREW UNIT V2 M500 | BLK COF.CONTAIN.BREW UNIT V2 M500 |
| 20         | 129912521       | SCREW TCB TORX 10 3.5X14 PLAST.   | VIS TCB TORX 10 3.5X14 PLAST.SS  | SCHRAUBE 3.4X14                   | VITE TCBR 3,5X14 PLAST.INOX       |
| 21         | 11003078        | BLACK CONNECTING ROD BREW UNIT 8  | BIELLE NOIRE                     | PLEUEL                            | BIELLA GRUP.8GR.NER.              |
| 22         | 11003795        | SS SCRAPER SPRING FOR BREW UNIT   | ENTONNOIR GROUPE CAFE M5000      | Trichter Brühgruppe schwarz MA,   | TRAMOG.GRUP.M5000 NER.SER.PRESS   |
| 23         | 9161.046        | MOLLA RASATORE GRUP.INOX          | RESSORT D'ARRASAGE               | DRUCKFEDER                        | MOLLA RASATORE GRUP.INOX          |
| 24         | 11004570        | AS.CONT.CAF.GRUP.8G.P124 NER.     | BOHNEBEHALTER KPLT.SCHWARZ 8 GR  | BOHNEBEHALTER KPLT.SCHWARZ 8 GR   | AS.CONT.CAF.GRUP.8G.P124 NER.     |
| 25         | 9161.064.050    | MANICOT.ENTRATA ACQ.GRUP.ROYAL N  | WASSEREINLAUFSTUTZEN BG          | WASSEREINLAUFSTUTZEN BG           | MANICOT.ENTRATA ACQ.GRUP.ROYAL N  |
| 26         | NM02.007        | OR 2025 TERMOIL                   | JOINT 2025 TERMOIL               | O-RING 2025 EPDM                  | OR 2025 TERMOIL                   |
| 27         | 421941158532    | PIAS.POS.V2.GRUP.M5000 NER.       | PIPETTE ENTREE D'EAU             |                                   | BLACK BREW UNIT REAR PLATE V2 M5  |
| 28         | 12000550        | VITE TCB 3X25 PLAST.INOX          | JOINT 2025 TERMOIL               |                                   | SCREW TCB TORX 10 3X25 PLAST.SS   |
| 29         | 9161.094.050    | BLOC.FORATO GRUP.PANNER.          | PLAQUE ARRIERE GROUPE CAFE       | TORXSCHRAUBE 3X25                 | BLOC.FORATO GRUP.PANNER.          |
| 30         | 9161.066.050    | ALBERO A GOMITO GRUP.M5000 NER.   | VIS TCB TORX 10 3X25 Plast.Ss    | Gleitstück Brühgruppe schwarz     | ALBERO A GOMITO GRUP.M5000 NER.   |
| 31         | 11004161        | RASATORE GRUP.M5000 NER.          | ENTRETOISE NOIRE                 | KURBELWELLE                       | RASATORE GRUP.M5000 NER.          |
| 32         | 11003793        | PIAS.ANT.GRUP.M5000 NER.          | ARBRE DU GROUPE                  | ABSTREIFER                        | PIAS.ANT.GRUP.M5000 NER.          |
| 33         | 110041145       | PIAS.AGGANC.GRUP.NER.             | PLAQUE ANT. GROUPE M5000 NOIR    | Seitenteil Brühgruppe rechts MA,  | PIAS.AGGANC.GRUP.NER.             |
| 34         | 9161.041        | MOLLA IMPUGNAT.GRUP.M5000         | RESSORT FIXATION DU GROUPE       | Verschluss Brühgruppe schwarz MA, | MOLLA IMPUGNAT.GRUP.M5000         |
| 35         | 11003791        | IMPUGN.GRUP.M5000 NER.            | RESSORT POIGNEE DE GROUPE        | Feder Brühgruppenentriegelung MA  | IMPUGN.GRUP.M5000 NER.            |
| 36         | 11003800        | GRUPPO CAFE' NERO                 | POIGNEE DU GROUPE                | Hebel Brühgruppenentriegelung sc  | GRUPPO CAFE' NERO                 |
| 37         | 12000897        | VITE TCB TORX 3.5X20 PLAST.INOX   | GROUPE CAFE                      | BRÜHGRUPPE KPLT                   | SCREW TCB TORX 10 3.5X20 PLAST.S  |



Il Costruttore si riserva il diritto di modificare, senza preavviso, le caratteristiche delle apparecchiature presentate in questa pubblicazione; declina inoltre ogni responsabilità per le eventuali inesattezze imputabili ad errori di stampa e/o trascrizione contenute nella stessa.

Le istruzioni, i disegni, le tabelle e le informazioni in genere contenute nel presente fascicolo sono di natura riservata e non possono essere riprodotte ne completamente ne parzialmente od essere comunicate a terzi senza l'autorizzazione scritta del Costruttore che ne ha la proprietà esclusiva.

The manufacturer reserves the right to modify, without prior notice, the characteristics of the equipment described in this publication; and further declines to accept any responsibility for any inaccuracies contained in this publication which can be ascribed to printing and/or transcription errors.

All instructions, drawings, tables and information contained in this publication are confidential and can neither be reproduced, completely or in part, nor be transmitted to third parties without the written permit of the Manufacturer, who has the sole ownership.

Le fabricant se réserve le droit de modifier, sans préavis, les caractéristiques des appareils présentes dans cette publication; en outre, elle decline toute responsabilité pour d'éventuelles inexactitudes imputables à des erreurs d'impression et/ou de transcription.

Tous droits de reproduction, complète ou partielle, des instructions, des dessins, des tableaux et de toutes les informations contenues dans cette publication sont réservés. Aucune communication à un tiers ne peut être faite sans une autorisation par écrit du Constructeur qui en a la propriété exclusive.

Der Hersteller behält sich das Recht vor, die Eigenschaften der hier beschriebenen Geräte ohne Voranzeige zu ändern und lehnt gleichzeitig jede Verantwortung für mögliche Unrichtigkeiten ab, die auf Druckfehler oder Abschreibfehler zurückzuführen sind.

Alle Anweisungen, Zeichnungen, Tabellen und Informationen, die im allgemeinen im vorliegenden Band enthalten sind, müssen als vertraulich betrachtet werden und können weder teilweise noch vollständig reproduziert bzw an Dritte ohne die schriftliche Ermächtigung des Herstellers weitergegeben werden, der das Alleineigentum besitzt.

El Constructor se reserva el derecho de modificar, sin previo aviso, las características de los aparatos presentados en esta publicación; además declina toda responsabilidad por los eventuales inexactitudes imputables a errores de imprenta y/o transcripción contenidos en la misma.

Las introducciones, los dibujos, las tablas y las informaciones en general contenidos en este fascículo son de tipo reservado y no se pueden reproducir, completamente o en parte, ni comunicar a terceros si la autorización escrita del Fabricante, el cual tiene la propiedad exclusiva.



