

New Royal Black

230V - 50Hz



IT Italiano
EN English
FR Français
DE Deutsch
ES Español

(IT)

SOMMARIO

Tav. 01	Telaio / Estetica	Marco / estética
Tav. 02	Impianto elettrico	Instalacion eléctrica
Tav. 03	Elettrovalvole/Caldaie	Válvula de solenoide/Calderas
Tav. 04	Circuito Idráulico	Circuito idráulico
Tav. 05	Coperchio superiore/Contentitori	Cubierta superior/Contenedores
Tav. 06	Macinacaffè	Molinillo de café
Tav. 07	Motoriduttore	Motorreductor
Tav. 08	Gruppo caffè	Grupo de café

(EN)

INDEX

Tav. 01	Frame / aesthetics	Cadre / esthétique
Tav. 02	Electric system	Installation électrique
Tav. 03	Solenoid Valves/Boilers	Electrovannes/Chaudières
Tav. 04	Hydraulic System	Circuit hydraulique
Tav. 05	Top cover/Containers	Couverture supérieure/Conteneurs
Tav. 06	Grinder	Moulin à café
Tav. 07	Gearmotor	Motoréducteur
Tav. 08	Coffee Group	Groupe de café

(FR)

INDEX

Tav. 01	Rahmen / Ästhetik	Rahmen / Ästhetik
Tav. 02	Schaltbrett	Schaltbrett
Tav. 03	Solenoidventile/Kessel	Solenoidventile/Kessel
Tav. 04	Wasser Leitung	Wasser Leitung
Tav. 05	Obere Abdeckung/Behälter	Obere Abdeckung/Behälter
Tav. 06	Kaffeemühle	Kaffeemühle
Tav. 07	Getriebemotor	Getriebemotor
Tav. 08	Kaffeegruppe	Kaffeegruppe

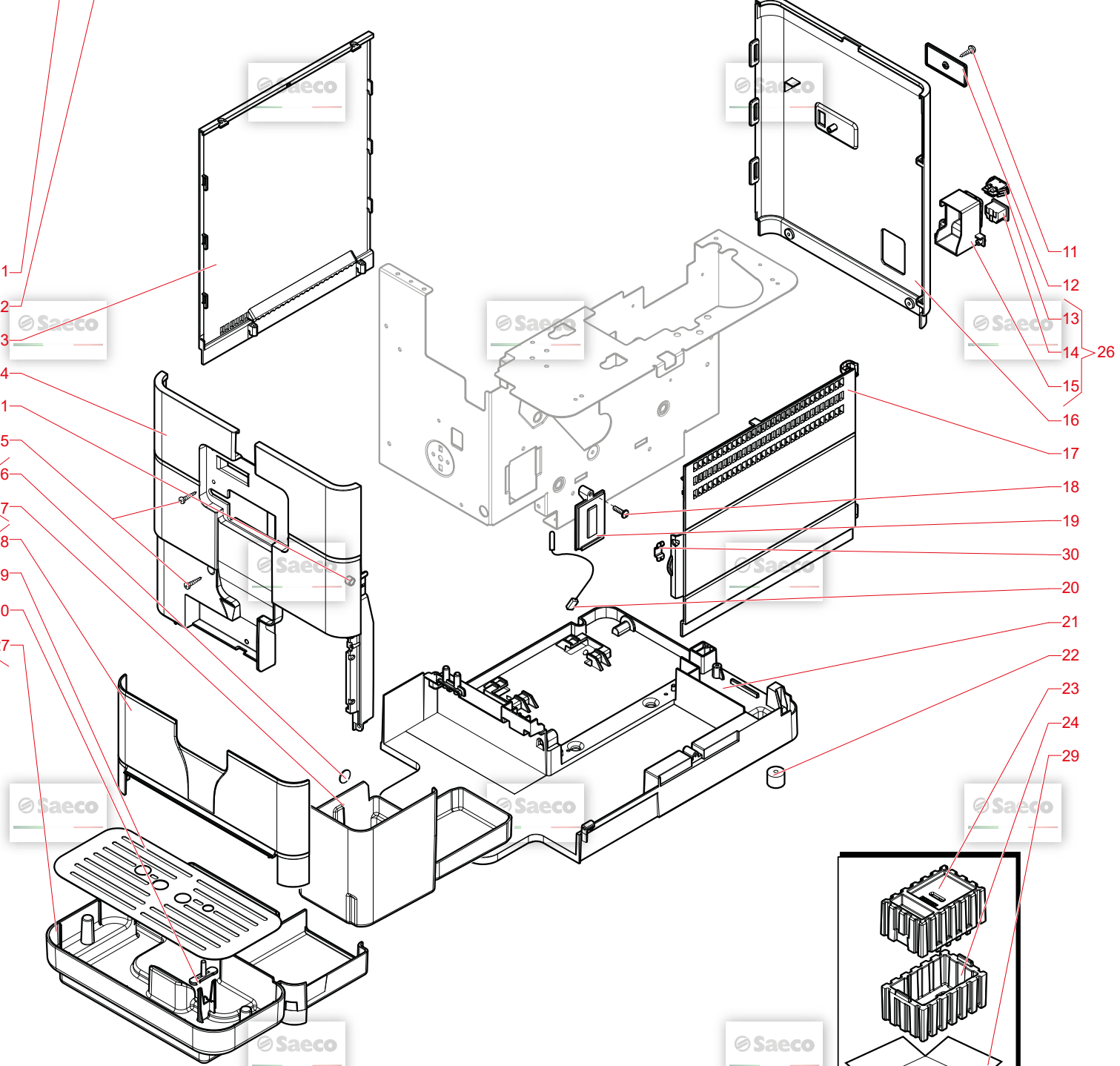
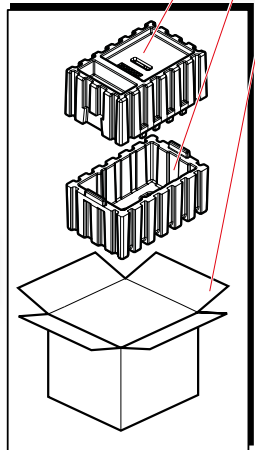
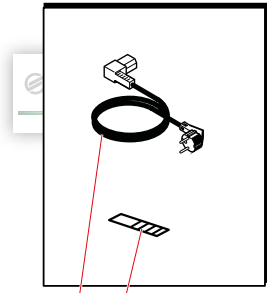
(DE)

VERZEICHNIS

Tav. 01	Marco / estética	Marco / estética
Tav. 02	Instalacion eléctrica	Instalacion eléctrica
Tav. 03	Válvula de solenoide/Calderas	Válvula de solenoide/Calderas
Tav. 04	Circuito idráulico	Circuito idráulico
Tav. 05	Cubierta superior/Contenedores	Cubierta superior/Contenedores
Tav. 06	Molinillo de café	Molinillo de café
Tav. 07	Motorreductor	Motorreductor
Tav. 08	Grupo de café	Grupo de café

(ES)

INDICE



N.POSI	COD	I - DESCRIZIONE	UK - DESCRIPTION	F - DESCRIPTION	D - BEZEICHNUNG	E - DESCRIPCION	NOTE
1	18391050	CAVO AL.SCH.3X1 H05VV-F NER.L=	BLACK POWER CABLE SCHUKO L=1200	CABLE ALIMENTATION	NETZANSCHLUSSKABEL	CAVO AL.SCH.3X1 H05VV-F NER.L=12	
2	0301_961	STICKER TEST DUREZZA ACQUA	STICKER FOR WATER HARDNESS TEST	TEST DE DURETE D'EAU	Teststreifen für Wasserhärte	STICKER TEST DUREZZA ACQUA	
3	263673	FIANCO SINISTRO					
4	263670	FRONTALE					
5	12001715	VITE TCB M4X8 AUTOFORM.S/TEST.	SCREW TCB TORX 20 M4X8 AUTOFORMI	VIS CB TORX 20 M4X8 AUTOFORMING	TORXSCHRAUBE 4X8	SCREW TCB TORX 20 M4X8 AUTOFORMI	
6	9991_093	MAGNETE D=9,5 X H=1,5	MAGNET D=9,5 X H=1,5	AIMANT BAC A MARC MAGIC	Magnetscheibe d=9,5mm h=1,5mm	MAGNETE D=9,5 X H=1,5	
7	263686	CASSETTO FONDI					
8	263685	MOSTRINA RECUPERO LIQUIDI					
9	263665	GRIGLIA					
10	17000991	GALLEG.VASCA REC.ACO.V2 RYL RO	RED FLOAT V2 FOR DRIP TRAY RYL	FLOTTEUR BAC EAUX USEES ROUGE	RED FLOAT V2 FOR DRIP TRAY RYL	GALLEG.VASCA REC.ACO.V2 RYL ROS.	
11	129914102	VITE TSP 3.5X12 TORX PLASTZN-	SCREW TSP TORX 10 3.5X12 PLASTZ	VIS TSP TORX 10 3.5X12 PLASTZN-	Torx-Schraube 35x12 WN 1423 verz	VITE TSP 3.5X12 TORX PLASTZN-B	
12	263672	COPERTURA PRESA USB					
13	242212625107	INT.BIPOL.BASCULA I/O NER.	SWI POW 2P 16A 250V FASTON IEC 1	SOCLE DE PRISE	SWI POW 2P 16A 250V FASTON IEC 1	SWI POW 2P 16A 250V FASTON IEC 1	
14	12001883	PRESA A VASCH.C/SMUSSI V3 EN 6	CUP SOCKET V3 EN 60320 C 13	SUPPORT PRISE	CUP SOCKET V3 EN 60320 C 13	PRESA A VASCH.C/SMUSSI V3 EN 603	
15	17000162	SUPP.PRESA E INTERRUT.RYL NER.	BLACK SOCKET-SWITCH SUPPORT RYL	SUPPORT PRISE INTERRUPTEUR	Support Stecker und Schalter sch	SUPP.PRESA E INTERRUT.RYL NER.	
16	263671	SCHIENALE					
17	263675	PORTA ESTR.GRUP.	SCREW TCB TORX 10 3.5X12 PLAST.	VIS TCB TORX 10 3.5X12 PLASTZN	TORXSCHRAUBE 3.5X12	VITE TCBR 3.5X12 PLASTZN-N	
18	12000450	VITE TCBR 3.5X12 PLASTZN-N	GREY MOUNTING PLATE INSERT RYL	INSERT PLAQUE DE MONTAGE	GREY MOUNTING PLATE INSERT RYL	INS.PIAS.MONTAG.RYL.GRI.	
19	17000240	INS.PIAS.MONTAG.RYL.GRI.	REED SENSOR MK3-1A66-BV16451	SENSEUR MK3-1A66-BV16451	Sensor Restwassermenge	SENS.REED MK3-1A66-BV16451	
20	11003661	SENS.REED MK3-1A66-BV16451					
21	263683	BASAMENTO					
22	421324705256	PIEDINO CILINDRICO D=9,5 H=10	RY18 TOP BOX INSERT	ÉLÉMENT SUP.BOÎTR Y18	FOOT	FOOT	
23	263877	INSERTO SUP.SCAT.RY18	RY18 BOTTOM BOX INSERT	ÉLÉMENT SUP.BOÎTR Y18	EINSATZ OBEN VERPACK. RY18	INSERTO SUP.CAJA RY18	
24	263878	INSERTO INF.SCAT.RY18	RY18 TANK_ASS	ÉLÉMENT SUP.BOÎTR Y18	EINSATZ UNTEN VERPACK. RY18	INSERTO INF.CAJA RY18	
25	263879	ASS_VASCH.LIQ.RY18	EU RY18_TANK_ASS	ENS_CUVE_LIQ_RY18	BAUGR_WANNE.FLÜSSIGK._RY18	CONJ_CUBET_LIQ_RY18	
26	263880	ASS_CONN_IEC PR_VASC_EU RY18	RY18_TANK_IEC_CONN_ASS	ENS_CONN_IEC_PR_CUVE_EU RY18	BAUGR._ANSCHLUSS_IEC_FÜR WANNE_E	CONJ_CONN_IEC_PR_CUBET_EU RY18	
27	263684	VASCHETTA LIQUIDI					
28	263697	VASCHETTA FONDI					
29	263881	SCAT.IMBALLO RY18					
30	263917	PIASTR.MAGNETE SPORT.METAL.RY1					
31	516533500	MAGNETE CILINDRICO Ø7 X 5	RY18 PACKING_BOX	BOÎT_EMBALLAGE RY18	VERPACKUNGSBOX RY18	CAJA_EMBALAJE RY18	

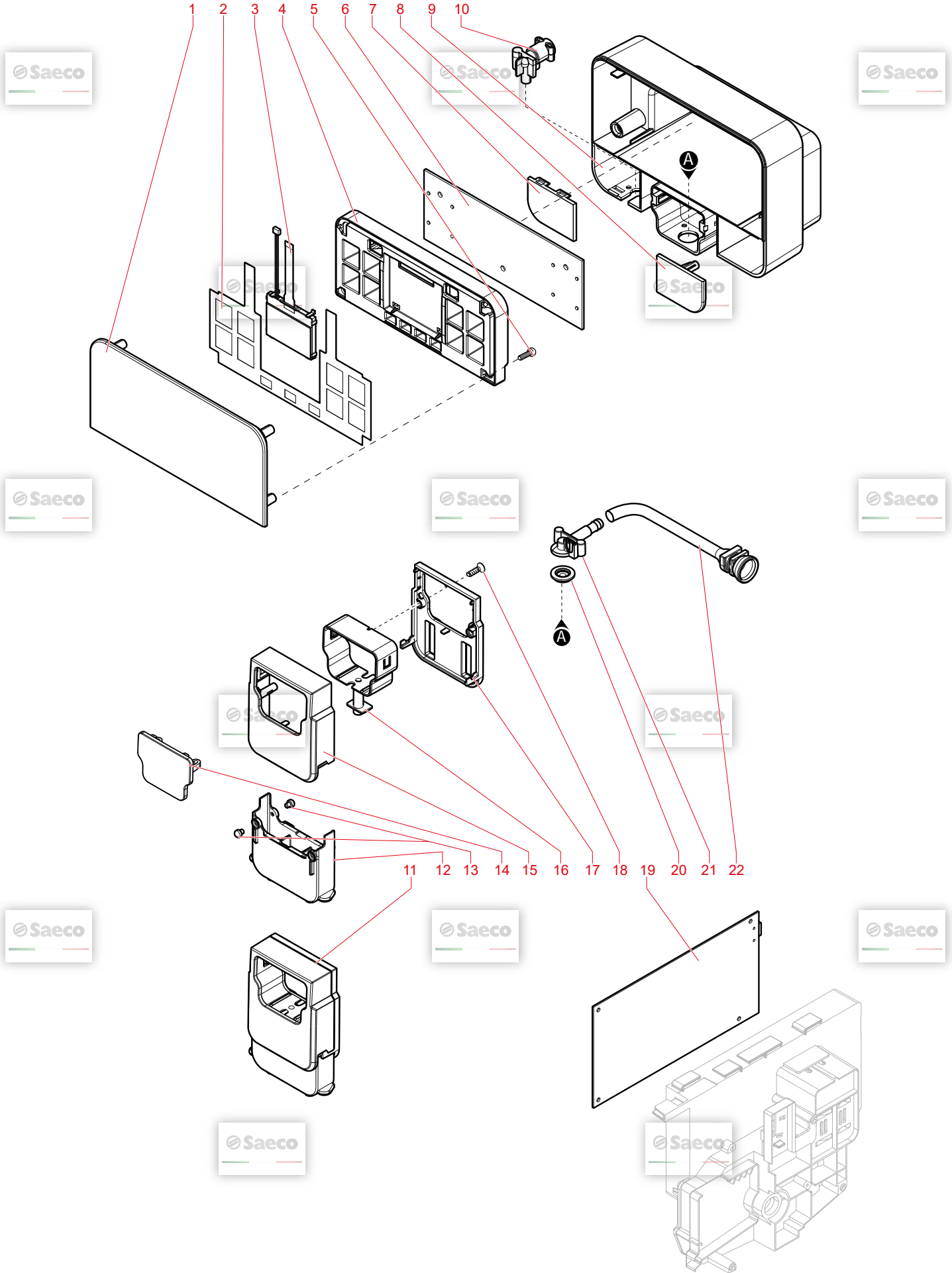
© by Saeco, a company of EVOCA Group - GAGGIO MONTANO

C0313X00

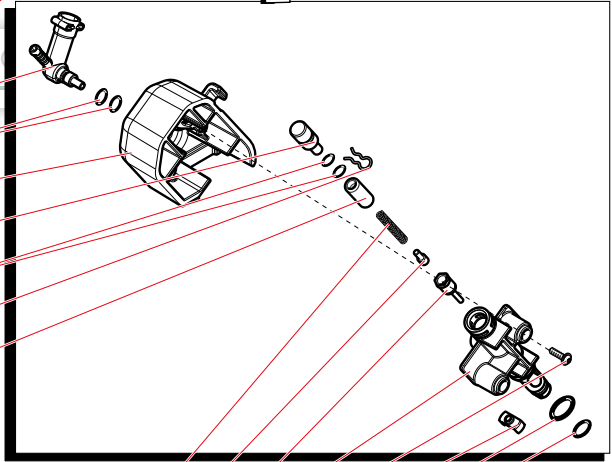
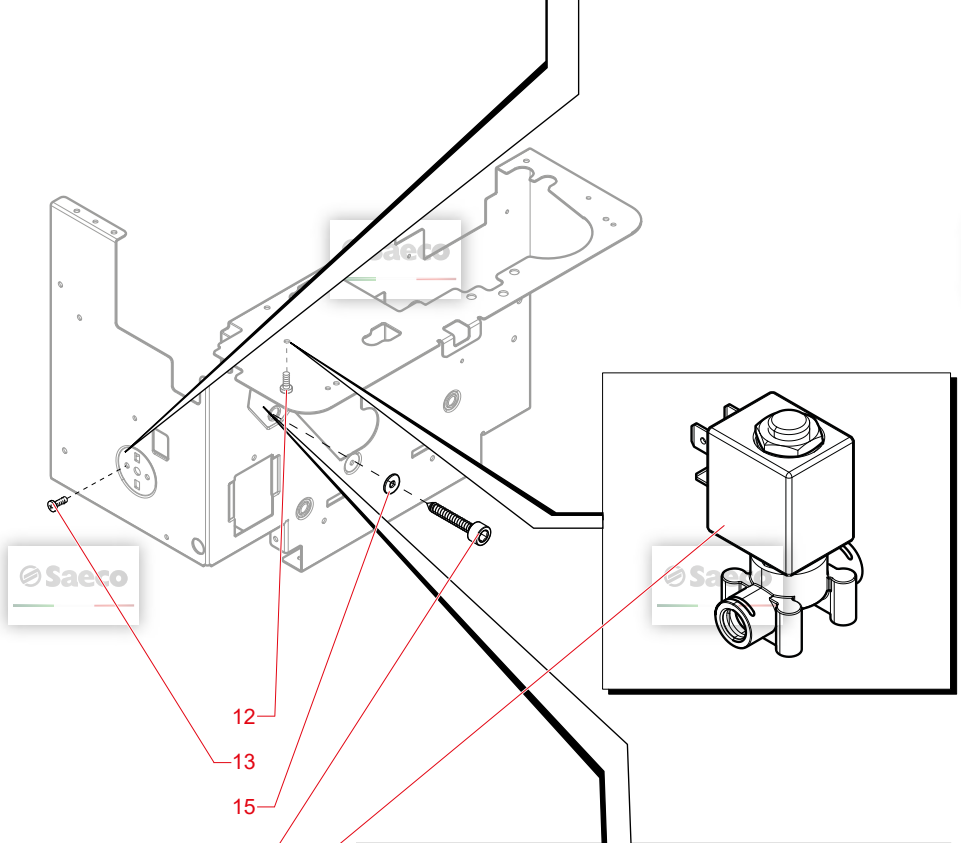
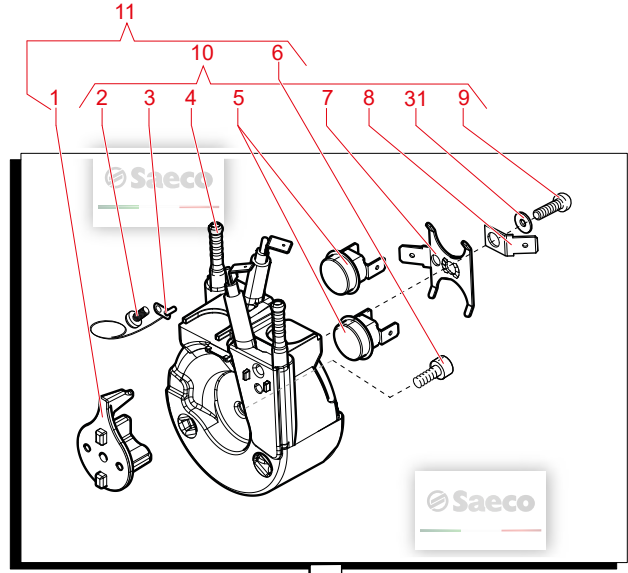
01

08/06/2020

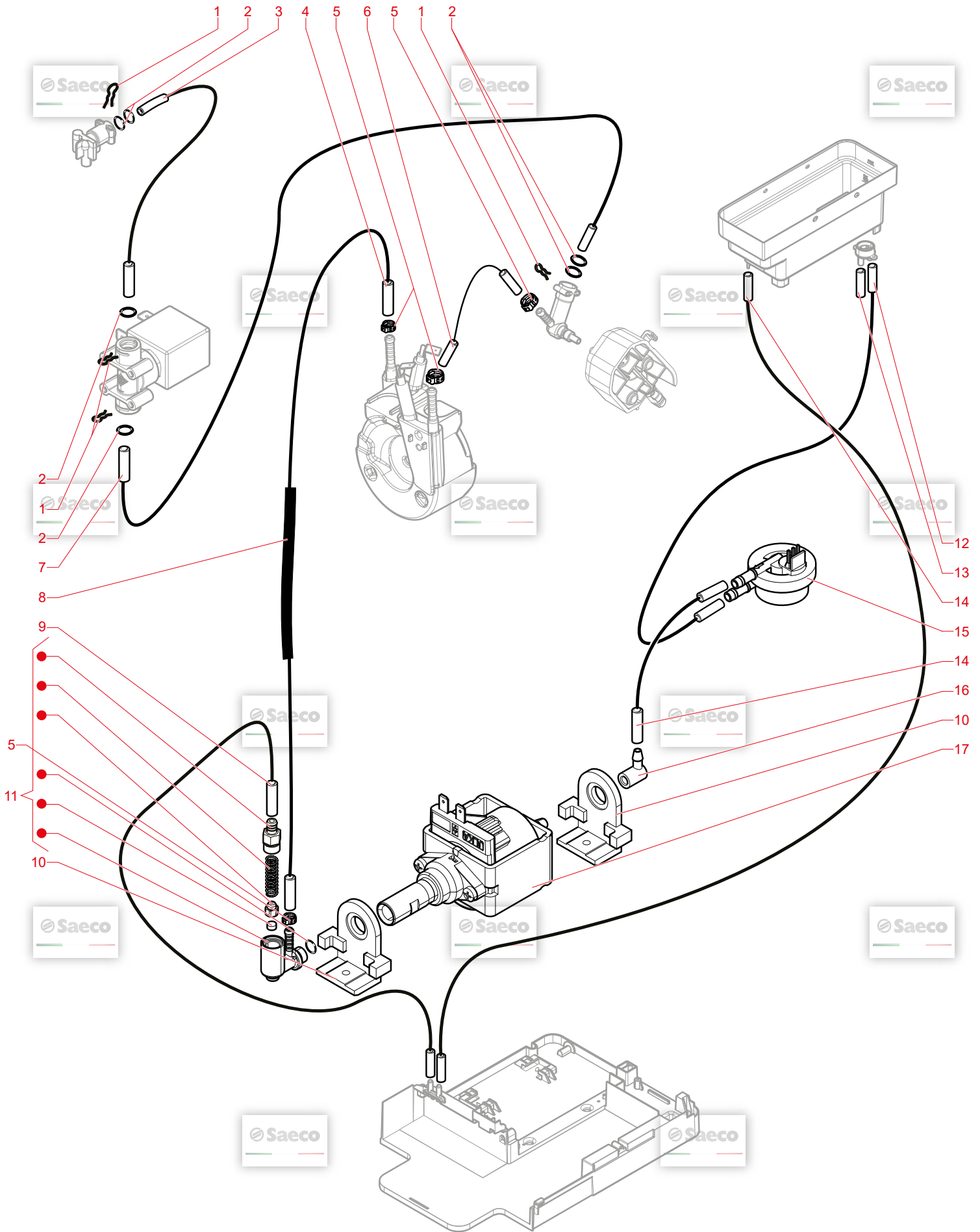
New Royal Black



N.POSI COD	I - DESCRIZIONE	UK - DESCRIPTION	F - DESCRIPTION	D - BEZEICHNUNG	E - DESCRIPCION	NOTE
1	263689	PANNELLO TOUCH	SELF -ADH.FLEXIBLE KYB NOCS	TORXSCHRAUBE 3,5X12	VITE TCBR 3,5X12 PLASTZN	
2	421944061141	CAPACITIVO ADESIVO NOCS	light guide NoCS	KBD_AREA	KBD_AREA	
3	263245	DISPLAY LCD	SCREW TCBR TORX 10 3.5X12 PLAST.			
4	421944061081	DIFUSORE LUCE NOCS	KBD_AREA			
5	12000450	VITE TCBR 3.5X12 PLASTZN-N				
6	11034202	KBD_AREA				
7	263691	COPERTURA FRONTALE SINISTRA				
8	263677	COPERTURA FRONTALE DESTRA				
9	263676	FRONTALE COMANDI				
10	421944065611	EROGATORE ACQUA NOCS	WATER DISPENSER NOCS	BAUGR. KAFFEEAUSGABE RY18	CONJ. EROGADOR CAFÉ RY18	
11	263882	ASS. EROGATORE CAFFE RY18	RY18 COFFEE DISPENSER ASS.			
12	263882	PORTE MOB. EST. EROG. CAF.				
13	11031085	INS. COP.CARC. RYL. VERN. NER/TXO	TXO/BULK COVER CASING INSERT NIS/	INS. COP.CARC. RYL. VERN. NER/TXO D/	INS. COP.CARC. RYL. VERN. NER/TXO D/	
14	263883	COPANT. SUPP. EROG. CAF. RYL/O NE	COF_PIPE_BOIL_GEN_ASS_RYL/O NE	DECKEL VORNE HALTERUNG KAFFEEAUF	CUB.DEL.SOP.EROG.CAF.RYL/O NE	
15	263679	COPERTURA ANTERIORE EROGAZIONE				
16	263681	CORPO EROGATORE CAFFE'				
17	263680	COPERTURA POSTERIORE EROGAZIONE				
18	12000895	VITE TSP 3X10 PLAST.INOX	SCREW TSP TORX 10 3X10 PLAST.SS	TORXSCHRAUBE 3X10	SCREW TSP TORX 10 3X10 PLAST.SS	
19	263246	AS. CPR + FW 230V/BAS. RY18	BLACK SEAL FOR COFFEE DISPENSER	Dichtung schwarz Kaffeelauf	GUARN.EROG.CAF.RYL NER.	
20	17000337	GUARN.EROG.CAF.RYL NER.	BLACK COFFEE DISPENSER TUBE RYL	Kaffeelaufrohr schwarz	TUBO EROG.CAF.RYL NER.	
21	17000616	TUBO EROG.CAF.RYL NER.				
22	263688	RACCORDO INGRESSO				

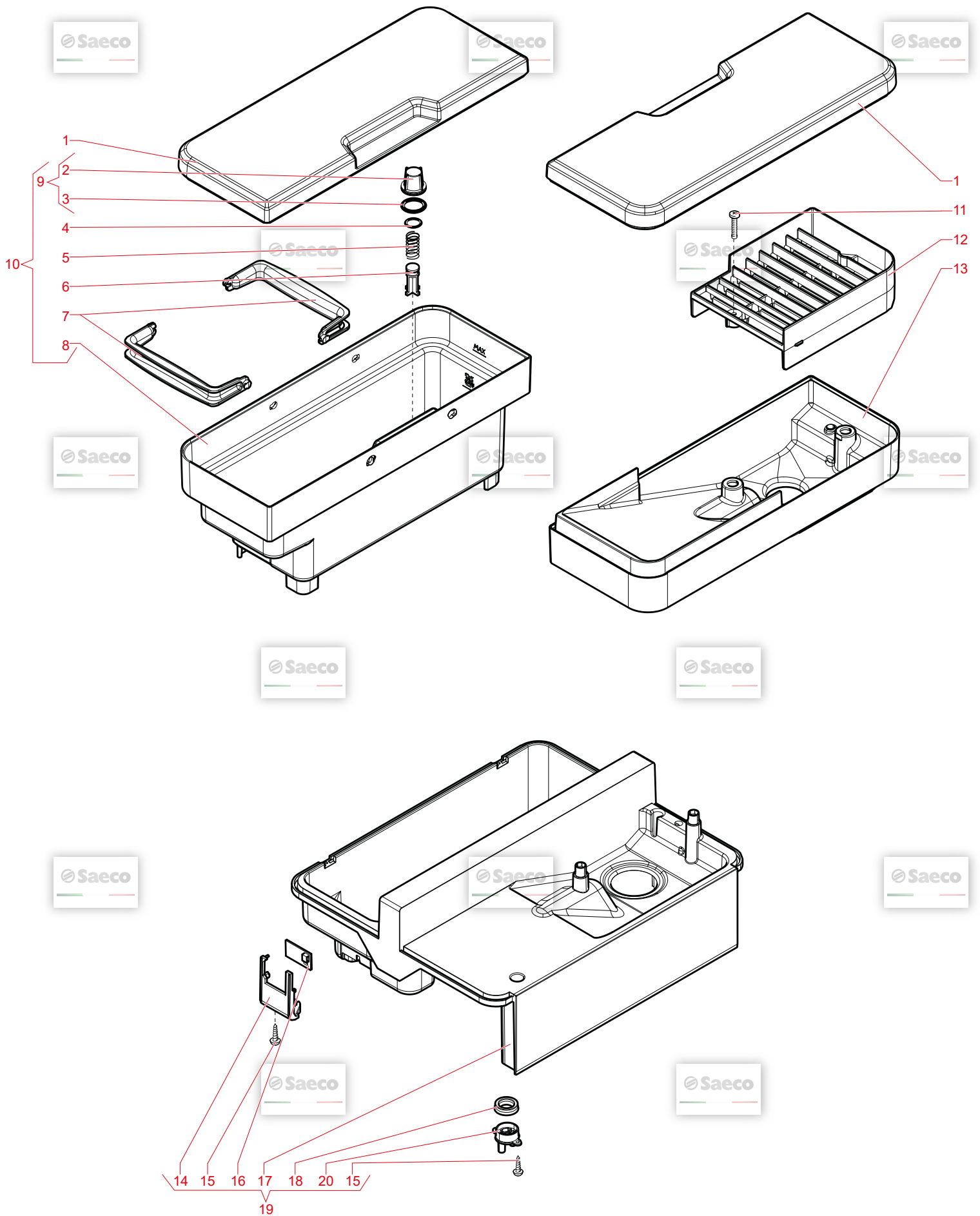


N.POSI COD	I - DESCRIZIONE	UK - DESCRIPTION	F - DESCRIPTION	D - BEZEICHNUNG	E - DESCRIPCION
1	421944057621	SUPPFISSAG.CALDAIE TUB.SLIM V	NEU SLIM TUB. BOILERS SUPPORT V2	NEU SLIM TUB. BOILERS SUPPORT V2	NEU SLIM TUB. BOILERS SUPPORT V2
2	129573402	VITE TCB PH/SW 4X10 UNI 8112 Z	SCREW TAPT M4X10 DIN 7985 GALV	VIS 4X10 (DIN7985)	VITE TCB PH/SW 4X10 UNI 8112 ZNP
3	190800100	SENSORE TEMPERATURA NTC UL L=2	TEMPERATURE SENSOR NTC UL L=280M	SENSEUR DE TEMPERATURE	SENSORE TEMPERATURA NTC UL L=280
4	263248	AS.CALD.TUB.XS4.1300W.230V	THERMOSTAT ONE SHOT 190°	THERMOSTAT ONE SHOT 190°	THERMOSTATO ONE SHOT 190°
5	12001033	TERMOSTATO ONE SHOT 190°	THERMOSTAT ONE SHOT 190°	THERMOSTAT ONE SHOT 190°	TERMOSTATO ONE SHOT 190°
6	217763204	VITE TSP 5X20 PLAST.ZN-B	TUB. BOILER V3 UPPER THERM. FIXING	RESSORT DE MAINTIEN THERMOSTAT	MOLLA FERM. TERMOS. SUP. CALD. TUB. V
7	11001751	MOLLA FERM. TERMOS. SUP. CALD. TUB	BRASS BEIT FASTON 45° 6.3X0.8	RACCORD DE PROTECTION 45° 6.3X0.	FASTON PIEGATO 45° 6.3X0.8 OTTON
8	124390520	VITE TCB M4X8 AUTOFORM. S/TEST.	SCREW TCB TORX 20 M4X8 AUTOFORMI	VIS CB TORX 20 M4X8 AUTOFORMING	SCREW TCB TORX 20 M4X8 AUTOFORMI
9	12001715	VITE TCB M4X8 AUTOFORM. S/TEST.	SCREW TCB TORX 10 3.5X12 PLAST.	VIS TCB TORX 10 3.5X12 PLAST.ZN	CONJ. GEN. CALD. TUB. CAF. 230RY18
10	263693	ASS. CALDAIA	COF. PIPE_BOIL_GEN_ASS. 230RY18	EINS_GEN_CHAUD_TUB_CAF_230RY18	VITE TCB 3X8 PLAST.ZN-B
11	263884	ASS. GEN. CALD. TUB. CAF. 230RY18	SCREW TCB TORX 10 3X8 PLAST.ZN-B	VIS TCB TORX 10 3X8 PLAST.ZN-B	VITE TCB 3X8 PLAST.ZN-B
12	129913202	VITE TCB 3X8 PLAST.ZN-B	SCREW TCB TORX 10 3.5X12 PLAST.	VIS TCB TORX 10 3.5X12 PLAST.ZN	VITE TCB 3.5X12 PLAST.ZN-N
13	12000450	VITE TCB 3.5X12 PLAST.ZN-N	WASHER UNI 8842 A5 SS	RONDELLE	ROSETTA UNI 8842 A5 INOX
14	263692	ELETTROVALVOLA 2VIE	GALVANIZED SELF-TAPPING SCREW 4.	VIS TCEI AUTOFILET 4.8X32 ZINC	VITE TCEI AUTOFILET 4.8X32 ZINC
15	128310521	ROSETTA UNI 8842 A5 INOX	OR 2015 SILICONE PTFE/FDA	JOINT OR 2015 SILICONE ROUGE	OR 2015 SILICONE PTFE/FDA
16	11003555	VITE TCEI AUTOFILET 4.8X32 ZIN	BLACK HOT WATER PIN SUPPORT RYL	SUPPORT PIVOT	SUPP PTERNO PASS.ACC.CALDA RYL NE
17	263690	RACCORDO A GOMITO	TEA/BRASS HOT WATER PIN PLUG RYL	BOUCHON PIVOT	TAPPO PERNO PASS.ACC.CALDA RYL O
18	140328059	OR 2015 SILICONE PTFE/FDA	OR ORM 0040-20 SILICONE	JOINT OR 0040-20 SILICONE	OR ORM 0040-20 SILICONE
19	17000156	SUPP PERNO PASS.ACC.CALDA RYL	SS FORK FOR TUBE D=4	AGRAFE TUYAU	FORCELLA X TUBO D=4 INOX
20	11026413	TAPPO PERNO PASS.ACC.CALDA RYL	TEA/BRASS BOILER PIN BUSH	BAGUE LAITON	BOCC. PERNO CALD OT/TEA
21	140326662	OR ORM 0040-20 SILICONE	SS SPRING FOR PIN	RESSORT POUR EPINGLE	MOLLA PISTONCINO INOX
22	9011.144	FORCELLA X TUBO D=4 INOX	TEA/BRASS PIN FOR PISTON L=10	PIVOT POUR PISTON L=10 OT/TEA	PERNO X PISTONCINO L=10 OT/TEA
23	11009012	BOCC. PERNO CALD OT/TEA	TEA/BRASS PISTON L=20.9 ASSY.	ENS PISTON	AS. PISTONCINO C/GOLA L=20.9 OT
24	9011.132	MOLLA PISTONCINO INOX	HOT WATER PIN	PIPE TTE CHAUDIERE	PERNO PASS.ACCQUA CALDA
25	11009013	PERNO X PISTONCINO L=10 OT/TEA	NATURAL CURSOR V2 FOR BOILER P11	CURSEUR DE CHAUDIERE P119	CURSORE CALD.V2 P119 PEEK NAT.
26	11009019	AS. PISTONCINO C/GOLA L=20.9 OT	OR ORM 0090-20 SILICONE	JOINT OR ORM 90-20	OR ORM 0090-20 SILICONE
27	9161.434	PERNO PASS.ACCQUA CALDA	OR ORM 0050-20 IN SILICONE	JOINT OR ORM 50-20	OR ORM 0050-20 SILICONE
28	11005099	CURSORE CALD.V2 P119 PEEK NAT.	TOOTHED WASHER EXT. 4.3 DIN 6798	RONDELLE DENT. EXT. 4.3 DIN 6798	ARANDELA DENT. EXT. 4.3 DIN 6798
29	NM01.035	OR ORM 0090-20 SILICONE			
30	NM01.057	OR ORM 0050-20 SILICONE			
31	A-0136	ROSETTA DENT. EST 4.3 DIN 6798			
32	263694	ASS. PERNO ACQUA CALDA			

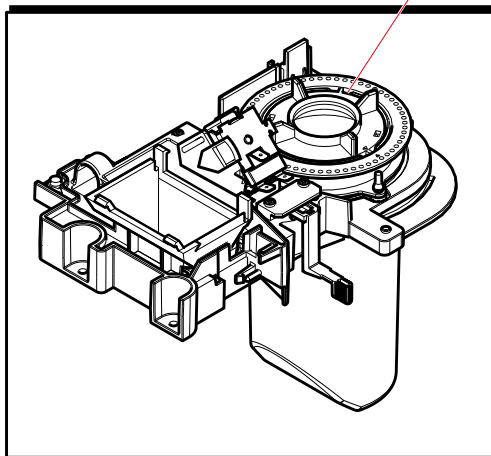
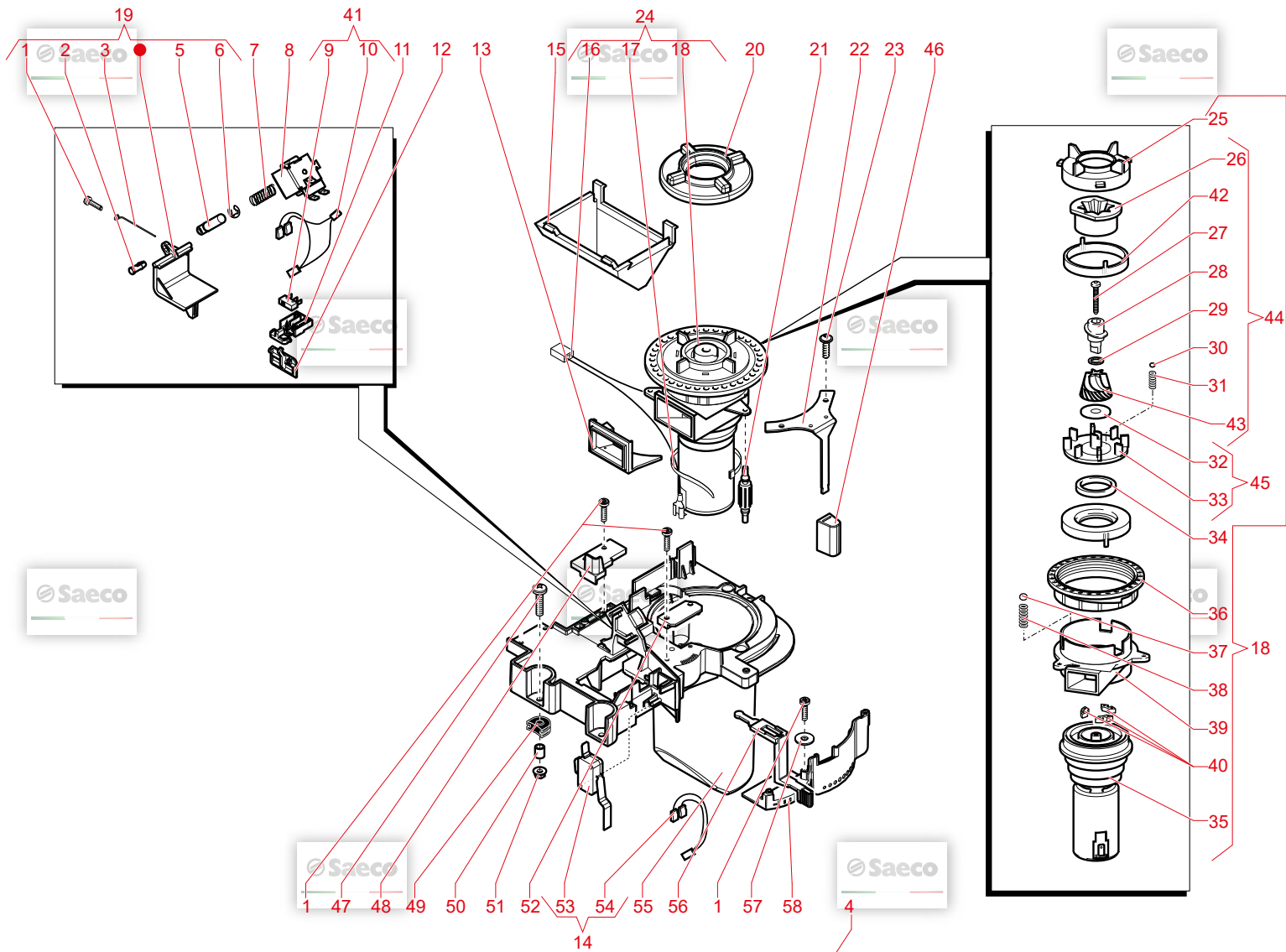


N.POSI COD	I - DESCRIZIONE	UK - DESCRIPTION	F - DESCRIPTION	D - BEZEICHNUNG	E - DESCRIPCION
1	9011.144	SS FORK FOR TUBE D=4	AGRAFE TUYAU	Sicherungsfeder Schlauch VI, RO	FORCELLA X TUBO D=4 INOX
2	140328059	OR 2015 SILICONE PTFE/FDA	JOINT OR 2015 SILICONE ROUGE	O-RING 2015 SILIKON	OR 2015 SILICONE PTFE/FDA
3	263887	TEFLON HOSE ASS. 2X4 L=180MM+2BO	ENS. TUBE TEFLON 2X4 L=180MM+2BO	BAUGR. TEFLONSCHLAUCH 2X4 L=180M	CONJ.TUBO TEFLON 2X4 L=180MM+2BO
4	11000756	PINK 5X8.9 SILICONE TUBE L=240 M	TUBE SILICONE 5X8.9 L=240MM	Siliconschlauch 5X8.9 L=240mm	PINK 5X8.9 SILICONE TUBE L=240 M
5	12000892	OETIKER CLAMP D=9.5 16700004	AGRAFES OETIKER D=9.5 L=120MM ROS	OETTINGERKLEMMME D=9.5	FASCETTA OETIKER D=9.5 16700004
6	9979.A84	PINK 5X8.9 SILICONE TUBE L=120 M	TUBE SIL. RETIN 5X8.9 L=120MM ROS	Teflonschlauch 11X12.8 trans.L=	ASS. TUBO TEFLON 4X2 L.265 7-7
7	11010624	TEFLON TUBE 4X2 L.265 7-7 ASSY.	TUBE TEFLON	Silikonschlauch kpl. 4x2 l=265 m	TRANSP SILICONE TUBE 11X12.8 L=2
8	229368600	TRANSP SILICONE TUBE 11X12.8 L=2	SILICONE TUBE 5X10 60SH L=120 MM	SILICONE TUBE 5X10 60SH L=120 MM	TUBO SILICONE 5X10 TRASP. L.120M
9	149205850	SILICONE TUBE 5X10 60SH L=120 MM	SUPPORT POMPE ULKA	GUMMIHALTER PUMPE	SUPPPOMPA TYP ULKA C/SMUSSO NER
10	11035987	BLACK TYP. ULKA PUMP W/BEVEL SUP	SAFETY VALVE 20/22 bar ASSY.	SAFETY VALVE 20/22 bar ASSY.	AS. VALV.SICUREZZA 20/22 bar
11	9972.123	SILICONE TUBE 5X10 L.240MM	SILICONE TUBE 5X10 60SH L=240 MM	Siliconschlauch 5x10 L=240mm	TUBO SILICONE 5X10 TRASP.L.240MM
12	WGADM1908	SILICONE CUP	BOUCHON SILICONE	Silikonabdeckung	CAPPUCCIO IN SILICONE(cod.soveco
13	9972.297	SILICONE TUBE 5X10 L.165MM	TUBE SILICONE 5X10 60SH L=165 MM	Siliconschlauch 5x10 L=165mm	TUBO SILICONE 5X10 60SH L=165 MM
14	NV99.099	AS. TURBINA D=1,2	DEBITMETRE D=1,2	TURBINE D=1,2	AS. TURBINA D=1,2
15	518565400	& PIPETTA IN SANTOPRENE	BEND	BEND	PIPETTA IN SANTOPRENE
16	263318	POMPA P X50 230V 50HZ -OTTONE-			
17					



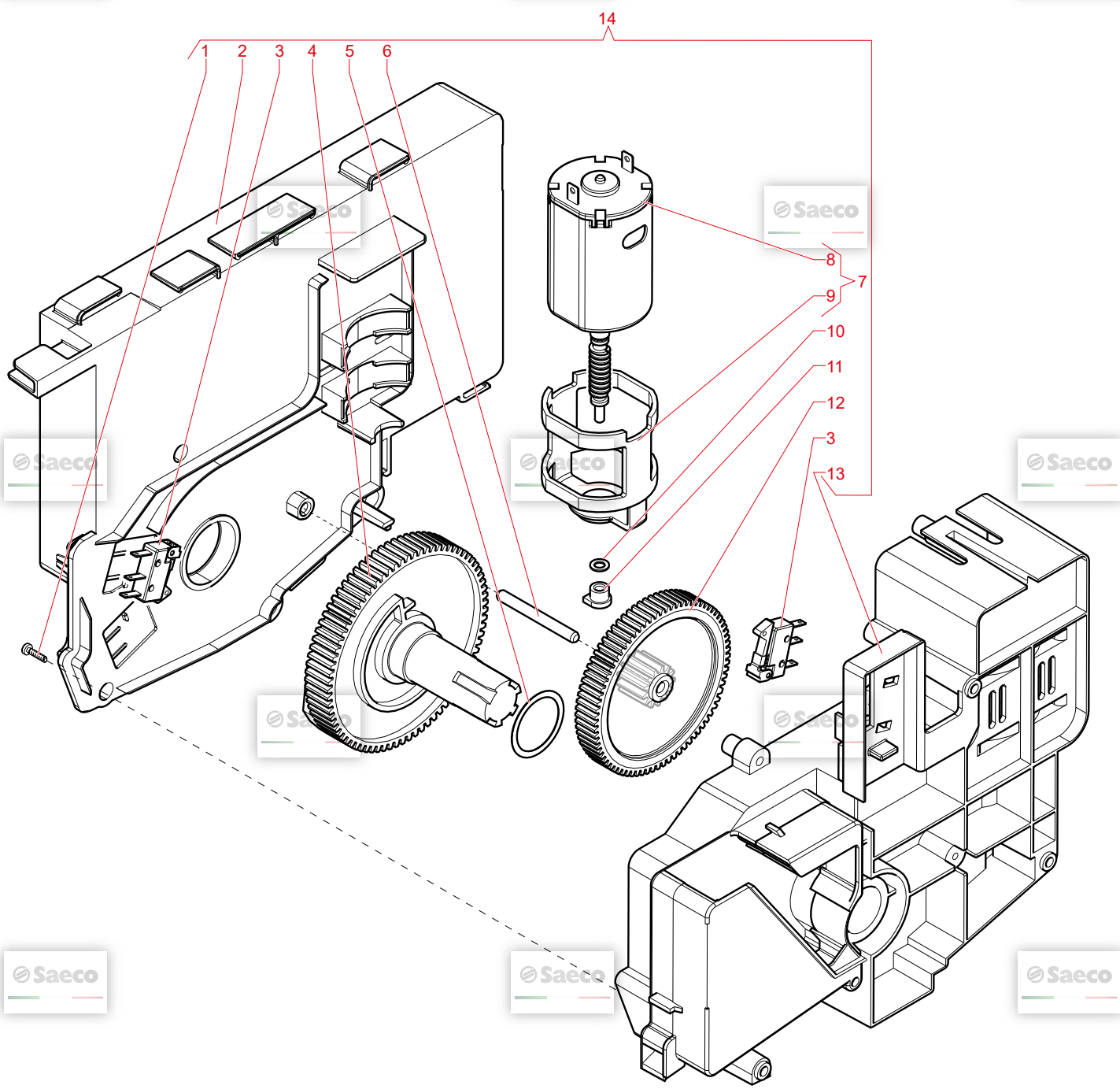


N.POSI COD	I - DESCRIZIONE	UK - DESCRIPTION	F - DESCRIPTION	D - BEZEICHNUNG	E - DESCRIPCION
1	263666	COPERCHIO VASCHETTA ACQUA	EXT. WATER NET FILTER D=30MM NOC	EXT. WATER NET FILTER D=30MM NOC	FILTRO EST. ACQ. A RETE D=30MM N
2	11036042	FILTRO EST. ACQ. A RETE D=30MM	OR 2106 SILICONE	JOINT OR 2106 SILICONE	OR 2106 SILICONE
3	NM01.022	OR 2106 SILICONE	OR ORM.0060-30 SILICONE	JOINT DE BAC.0060-30	OR ORM.0060-30 SILICONE
4	140324362	OR ORM.0060-30 SILICONE	SS WATER CONTAINER VALVE SPRING	RESSORT DE VALVE	MOLLA CILINDR.VALV/CONT.ACQ.INOX
5	126764718	MOLLA CILINDR.VALV/CONT.ACQ.IN	GREY PISTON FOR WATER CONTAINER	PISTON X VALVE BAC EAU	PIST.VALV/CONT.ACQ.GRI.
6	147660562	PIST.VALV/CONT.ACQ.GRI.	TANK HANDLE H2O RY18	POIGNEE RESERV/H2O RY18	MANILLA DEPOS H2O RY18
7	263885	MANIGLIA SERB.H2O RY18	TANK H2O RY18 Z.B.	RESERVOIR H2O RY18	DEPOSITO H2O RY18
8	263886	SERBATOIO H2O RY18	WHITE WATER CONTAINER EXT.FILTER	WHITE WATER CONTAINER EXT.FILTER	AS.FILTRO EST.CONT.ACQ.BIA.UL
9	11036095	ASS. SERBATOIO	SCREW TCBR TORX 10 3.5X14 PLAST.	VIS TCBR TORX 10 3.5X14 PLASTSS	VITE TCBR 3,5X14 PLAST.INOX
10	263696	VITE TCBR 3.5X14 PLAST.INOX	BLACK WATER LEVEL SENSOR SUPPORT	SUPP.SENSEUR	SUPP.SENS.CAPACITIVO LIVEL.ACQ.R
11	129912521	GRIGLIA CONTENITORE CAFFE'	SCREW TCBR TORX 10 3.5X12 PLAST.	VIS TCBR TORX 10 3.5X12 PLASTZN	VITE TCBR 3,5X12 PLASTZN-N
12	263669	CONTENITORE CAFFE'	CPU+SW WATER LEVEL SENSOR V3 ASS	PLATINE SENSEUR NIVEAU D'EAU	CPU+SW WATER LEVEL SENSOR V3 ASS
13	263668	CONTENITORE CAFFE'	NBR WATER CONT.VALVE GACO DIM14	JOINT GACO	GUARN.GACO DIM14 VALV.CONT.ACQ.N
14	17000391	SUPP.SENS.CAPACITIVO LIVEL.ACQ	WATER TANK PIPE CONNECTOR NOCS		
15	12000450	VITE TCBR 3.5X12 PLASTZN-N			
16	421941306721	AS.CPU+SW SENS.ACQ. V3			
17	263674	COPERTURA SUPERIORE			
18	145842900	GUARN.GACO DIM14 VALV.CONT.ACQ			
19	263695	ASS. COPERTURA SUPERIORE			
20	421944049521	INNESTO TUBI SERB.NOCS			



N.POSI	COD	I - DESCRIZIONE	UK - DESCRIPTION	F - DESCRIPTION	D - BEZEICHNUNG	E - DESCRIPCION	NOTE
1	129913902	VITE TCB 3X12 PLASTZN-B	SCREW TCB TORX 10 3X12 PLASTZN-	VIS TCB 3X12 PLASTZN-B	Torx-Schraube 3x12 ZN-B	VITE TCB 3X12 PLASTZN-B	
2	9161.076.150	PERNO SPORT.DOS.CAF.MAC.GRI.	GREY GROUND COF.DOSER DOOR PIN	AXE PORTIERE DE DOSEUR	Verchlussbolzen Dosierer MA	PERNO SPORT.DOS.CAF.MAC.GRI.	
3	9161.048	ASTA RASATORE DOS.CAF.MAC.ACC.	STEEL GROUND COF.DOSER SCRAPER R	AGUILLE D'ARASAGE	Feder Dosierklappe MA, VI	ASTA RASATORE DOS.CAF.MAC.ACC.	
4	263888	AS. GEN. PIAS. MC RY18	PLATE_GEN_ASS_MC_RY18	ENS_GEN_PLAQ_MC_RY18	BAUGR._ALLG._PLATTE_MC_RY18	CONJ_GEN_PLAC_MC_RY18	
5	9161.041	NUCLEO ELETTRICO.DOS.CAF.MAC.AC	STEEL GROUND COF.DOSER ELECTROMA	CONTACT DE BOBINE DOSEUR	Eisenkern 9x40 Dosiermagnetservice	NUCLEO ELETTRICO.DOS.CAF.MAC.ACC.	
6	9161.003	ANELLO ELASTICO 7 UNI 7434	SNAP RING 7 UNI 7434	RONDELLE 7 UNI 7434	Sicherungsring ø7 elastisch	ANELLO ELASTICO 7 UNI 7434	
7	126764818	MOLLA X ELETTROM.DOS.CAF.GRANI	SPRING ELECTROM.BEAN DOSER MAGIC	RESSORT D'ELECTRO AIMANT DOS.CAF	Feder zu Elektromagnet	MOLLA X ELETTROM.DOS.CAF.GRANI MA	
8	11025734	AS.BOBINA DOSATORE SUPERAUTOM.	DOSER COIL FOR SUPERAUTOM.24V DC	ENS_BOBINES_DOSEUR_24VDC	DOSER COIL FOR SUPERAUTOM.24V DC	AS.BOBINA DOSATORE SUPERAUTOM.24	
9	NE05.017	MICROINTERRUTTORE	MICROSWITCH	MICRO CONTACT DE MOUTURE	Mikroschalter Dosierer MA, RO	MICROINTERRUTTORE	
10	421946000541	AS.CONN.4P.BOBINA+MICRO DOSAT.	4P.CONN.COIL+DOSEUR MICRO V2 RYL	CONNECTION 4 POLES MICRO DOSEUR	4P.CONN.COIL+DOSEUR MICRO V2 RYL	4P.CONN.COIL+DOSEUR MICRO V2 RYL	
11	9161.072.150	CURSORE SUPP.MICRO DOS.CAF.MAC	GREY MICRO SUPP.CURSOR GROUND CO	SUPPORT MICRO CONTACT	Halterung Dosiermikro MA	CURSORE SUPP.MICRO DOS.CAF.MAC.G	
12	11036568	BILANCERE CONTROL.DOSE CAF.MAC	GROUND COF.DOSE CONTROL COMPENSA	GROUND COF.DOSE CONTROL COMPENSA	GRUND COF.DOSE CONTROL COMPENSA	BILANCERE CONTROL.DOSE CAF.MAC.B	
13	1505.014	GUARNIZIONE DOSATORE	COFFEEGRINDER SEAL	GARNITURE DOSEUR	Dichtung Mühle	GUARNIZIONE DOSATORE	
14	11000023	AS.MICRO SPORT.RYL UL NVG	MICRO.DOOR RYL UL NVG ASSY	CONVOYEUR CAFE POUDDRE GRIS	Trichterteil unten Kaffeepulver	CONVOGL.CAF.MAC.MAGIC GRI.	
15	9161.079.150	CONVOGL.CAF.MAC.MAGIC GRI.	GREY GRIND COFFEE CONVEYOR MAGIC				
16	263402	CONDENSATORE CON CABLAGGIO	SELF LOCK STRIP W=2,6 L=200	COLLIER AUTOSERRANT L=200MM	Kabelbinder, l=200mm	FASCIETTA AUTOBLOC.W=2,6 L=200 B	
17	144320200	FASCIETTA AUTOBLOC.W=2,6 L=200	COFFEE GRINDER STD.230V ASSY	MOULIN CAFE COMPLET 230 V STD.	Mahlwerkmotor.kopt. 230V MA-RD	AS.MACINACAFFE STD 230V	
18	9140.036.00A	AS.MACINACAFFE STD 230V	GREY GROUND COF.DOSER DOOR ASSY.		GREY GROUND COF.DOSER DOOR ASSY.		
19	9140.017	AS.SPORT.DOS.CAF.MAC.GRI.	GASKET COFFEE GRINDER UL	GARNITURE MOULIN A CAFE	Dichtung Mühle	GUARNIZIONE MACINACAFFE' UL	
20	1505.020	GUARNIZIONE MACINACAFFE' UL	ANTIVIBRATION FOR COFFEEGRINDER	SILENT BLOC	Schwingungsdämpfer VI	ANTIVIBRANTE X MACINACAFFE'	
21	9991.103	ANTIVIBRANTE X MACINACAFFE'	STEEL GRINDING ADJUSTMENT LEVER	LEVIER DE REGLAGE MEULE	Mahlgradeinstellhebel ROF	LEVA REGOL.MACIN.ACC.	
22	0333.008	LEVA REGOL.MACIN.ACC.	SCREW TCB TORX 10 3,5X12 PLAST.	VIS TCB TORX 10 3,5X12 PLASTZN	TORXSCHRAUBE 3,5X12	VITE TCB TORX 3,5X12 PLASTZN-N	
23	12000450	VITE TCB TORX 3,5X12 PLASTZN-N					
24	263404	ASSIEME MACININO TARATO 230V	BLACK UPPER GRINDER SUPPORT MAGI	SUPPORT MEULE SUPERIEUR	Mahlringaufnahme	SUPPORTO MACINA SUPERIORE MAGIC	
25	149186150	SUPPORTO MACINA SUPERIORE MAGI	UPPER GRINDER	MEULE SUPERIEUR	Mahlring	MACINA SUPERIORE	
26	9141.039	MACINA SUPERIORE	TORX SCREW T10 TCB 3,5X40 SX ZNG	VIS TORX T10 TCB 3,5X40 SX ZNG	Torx-Schraube T10 TCB 3,5x40 lin	VITE TORX T10 TCB 3,5X40 SX ZNG	
27	129931002	PERNO INCREMENTO A VITE.MC.MAG	BLK INCREASE SCREW PIN COF.GRIND	VIS DE FINESSE	Mahlschnecke MA, RO, VI	PERNO INCREMENTO A VITE.MC.MAGIC	
28	147470763	ROSETTA PIANA 10X16X0,2DIN 988	PLAIN WASHER 10X16X0,2DIN 988 GA	RONDELLE	Unterfestscheibe ø10x16x0,2 DIN	ROSETTA PIANA 10X16X0,2DIN 988 Z	
29	U201.002	SFERA D=5,5MM ACCIAIO INOX AISI	STAIL STEEL AISI 304 SPHERE D=5,	SPHERE D 5.5	Kugel ø5,5mm für Rutschkupplung	SFERA D=5,5MM ACCIAIO INOX AISI	
30	1286765517	MOLLA ACC.X SFERA D=5,5 MOTORE	STEEL SPRING SPHERE D=5,5 MOTOR	RESSORT SPHERE D5.5	Feder Rutschkupplung MA, RO, VI	MOLLA ACC.X SFERA D=5,5 MOTORE M	
31	9141.042	ANELLO DI SICUREZZA	SAFETY RING	SAFETY RING	Metalleinsatz zu Support Mahlwer	ANELLO DI SICUREZZA	
32	9141.028	SUPPORTO MACINA INFERIORE MAGI	BLACK LOWER GRINDER SUPPORT MAGI	SUPPORT MEULE INF.	Support zum Mahlwerk unten	SUPPORTO MACINA INFERIORE MAGIC	
33	140360200	ANELLO IN FELTRO DE=40 DI=34 H	FELT RING 40X34X5	ANNEAU DE FEUTRE 40 DI=34 H=5	Filzring	ANELLO IN FELTRO DE=40 DI=34 H=5	
34	0301.R10.00A	MOTORE COMPLETO 230V	SPARE MOTOR UNIT MC 230V	MOTEUR MOUTURE MAGIC NEW	Mahlwerkmotor mit Getriebe 230V	MOTORE COMPLETO 230V	
35	146570950	GHIERA REGOLAZION.MACINATURA M	RING NUT FOR GRINDING ADJUSTMENT	BAGUE DE REGLAGE	Verstellung	GHIERA REGOLAZION.MACINATURA MAG	
36	128610421	SFERA D=3,2MM ACCIAIO INOX AISI	STAIL STEEL AISI 304 SPHERE D=3,	SPHERE INOX D=3mm	Kugel ø 3,2mm Einstellring Mahlg	SFERA D=3,2MM ACCIAIO INOX AISI	
37	126770117	MOLLA NEW X SFERA D=3,2 MOTORE	NEW SPRING SPHERE D=3,2 MOTOR MA	RESSORT DE SPHERE	Feder Einstellring ø 3,2 MA, RO, V	MOLLA NEW X SFERA D=3,2 MOTORE M	
38	9141.080	SUPP.MOTORE MC NER.	BLACK COFFEE GRINDER MOTOR SUPPO	SUPPORT MOTEUR	Motormaterialung Royal	SUPP.MOTORE MC NER.	
39	140230400	AMMORTIZ.X SUPPORTO MACINA CON	SHOCK ABS. CONICAL GRINDER SUPP.	AMORTISSEUR SUPPORT MEULE MAGIC	Mitnehmer Gummi	AMMORTIZ.X SUPPORTO MACINA CONIC	
40	421946000921	AS.CABL.BOBINA+MICRO DOSAT.V2	COIL WIRING+DOSEUR MICRO V2 RYL U				
42	142844550	COPERT X MACINA SUPER.MACINACA	UPPER GRINDER COVER COFFEE GRIND	CONICAL GRINDER	Mahlringabdeckung	COPERT X MACINA SUPER.MACINACAF.	
43	9141.040	MACINA CONICA	KIT ITAL MILL GRINDERS	KIT MEULE	Mahlkegel	MACINA CONICA	
44	226477700	KIT MACINE ITAL MILL	CONICAL GRIND. SUPP. + RING MAGI	SUPPORT MEULE CONIQUE	Mahlkegel + Mahlring MA, RO, VI,	KIT MACINE ITAL MILL	
45	149188750	SUPPOR.C/ANEL.X MACINA CONICA	BLK GRINDING ADJUST.LEVER HANDGR	POIGNEE PROTECTION VAPEUR	Support unten mit Metalleinsatz	SUPPOR.C/ANEL.X MACINA CONICA MA	
46	0333.009	IMPUGN.LEVA REGOL.MACIN.ROYAL	ZN-B TCB TORX 20 4MX16 ZN-B	VIS TCB TORX 20 4MX16 ZN-B	Griffteil Einstellhebel ROF	IMPUGN.LEVA REGOL.MACIN.ROYAL NE	
47	U043.004	VITE TCB TORX 20 4MX16 ZN-B	GREY COVER FOR DOSER HOLE RYL	COUVERCLE GRIS DOSEUR	LINSEN BLECHSCHR. MTCB TORX 20 M	VITE TCB TORX 20 4MX16 ZN-B	
48	17001155	COP.FORO DOSATORE RYL GRI.	RUBBER FOR COFFEE GRINDER	SILENT BLOC CAFE MOULU	GREY COVER FOR DOSER HOLE RYL	COP.FORO DOSATORE RYL GRI.	
49	9991.005	GOMMINO X MACINACAFFE'	SPACER FOR RUBBER	RONDELLE D'ECARTEMENT	Gummihalierung Mahlwerkmotor MA	GOMMINO X MACINACAFFE'	
50	9141.003	DISTANZIALE X GOMMINO	NUT M4 FLANGED INDENTED BASE	ECROU	Sechskantmutter M4 DIN 934	DISTANZIALE X GOMMINO	
51	U324.006	DADO M4 FLANGIATO BASE DENTELL	GREY GROUND COF.DOSER LEVER FIXI	PLAQUE DE FIXATION	Montageplättchen MA	DADO M4 FLANGIATO BASE DENTELLAT	
52	9161.097.150	PIAST.FISSAG.LEVA.DOS.CAF.MAC.	MICROSWITCH	MICRO INTERRUPTEUR	Microschalter	PIAST.FISSAG.LEVA.DOS.CAF.MAC.GR	
53	12001605	MICROINTERRUTTORE	2P.CONN.DOOR MICRO V2 RYL UL ASS	PLAQUE SUPPORT MOULIN	Montageplatte Mühle grau Royal	PIAST.MC.MAGIC/ROYAL GRI.	
54	421946000501	AS.CONN.ZP.MICRO SPORT.V2 RYL	DOSE ADJUSTMENT LEVER DE LUXE GR	LEVIER DE REGLAGE CAFE	Hebel Dosiermerge MA	LEVA X REGOLAZIONE DOSE DE LUXE	
55	9161.077.150	LEVA X REGOLAZIONE DOSE DE LUX	PLAIN WASHER 3,2X9 DIN 7349 GALV	RONDELLE	Scheibe 3,2 DIN 7349 verz.	ROSETTA PIANA 3,2X9 DIN 7349 ZNP	
56	U201.001	ROSETTA PIANA 3,2X9 DIN 7349 Z	GRY COFF.GRINDING/DOSE ADJUST.SC	GRADUATION REGLAGE DOSE CAFE		SCALA REGOL.DOSE E MACIN.CAF.RYL	
57	17000832	SCALA REGOL.DOSE E MACIN.CAF.RYL					





N.POSI COD	I - DESCRIZIONE	UK - DESCRIPTION	F - DESCRIPTION	D - BEZEICHNUNG	E - DESCRIPCION
1	129670202	TCB PANELVIT SCREW 3.5X16 TESTA	VIS TCB 3.5X16 TESTA D=8 ZNP	Blechschräube ST 3,5X16-Z1-C ver	VITE PANELVIT TCB 3.5X16 TESTA D
2	263401	MICRO SWITCH 30V 0.3A	MICRO INTERRUPTEUR	MIKROSCHALTER	MICROINTERRUTTORE 30V 0.3A
3	NE05.038	BLACK GEAR Z=77 V/2 FOR RATIO MOTOR	ENGRENAGE Z=77 MOTORID.V2 P124 N	Zahnrad Z=77 V2 P124 schwarz	INGR. Z=77 MOTORID. V2 P124 NER.
4	11007137	MYLAR WASHER FOR RATIO MOTOR	RONDELLE MOTOREDUCTEUR	UNTERLEGSCHLEIBER GETRIEBEMOTOR	RONDELLA MYLAR X MOTORIDUTTORE
5	9161.368	STEEL PIN FOR RATIO MOTOR GEAR MA	MOTOR AVEC CONDENSATEUR	STEEL PIN FOR RATIO MOTOR GEAR MA	PERNO INGR. MOTORID. MAGIC ACC.
6	9121.039	MOTOR FOR RATIO MOTOR ASSY.	MOTEUR REDUCTEUR + CONDENSATEUR	MOTOR GETRIEBE	AS. MOTORE MOTORIDUTTORE
7	11005214	MOTOR FOR RATIO MOTOR ASSY.	MOTEUR REDUCTEUR + CONDENSATEUR	GServiceitemotor. V2 Talea, Ode	AS. MOTORE MOTORID. C/COND.
8	11003037	ANTIVIBRATION FOR MOTOR	AMORTISSEUR MOTEUR	VIBRATIONSDAEMPFER	ANTIVIBRANTE X MOTORE
9	9121.044	BAKELIZATE WASHER D=5.5	RONDELLE D=5.5	DISTANZSCHEIBE BAKELIT	RONDELLA D=5.5 IN TELA BAKELIZZA
10	148380200	BRONZE SINTERED BUSH FOR MOTOR R	JOINT DE MOTEUR	SINTERBUCHSE	BOCC. SINTERIZ. MOTORE MOTORID. B
11	9121.046	GREY GEAR Z=13/90 FOR RATIO MOTOR	ENGRENAGE Z=13/90 MOTOREDUCTEUR	Zahnrad Z=13/90 grau P124	INGR. Z=13/90 MOTORID. P124 GRI.
12	146002800	GREY RATIO MOTOR CASING WITH TUBE	CARCASSE MOTOREDUCTEUR AVEC CANA	GEHAUSE GETRIEBE GRAU	AS. CARC. MOTORID. C/CANALINO RYL
13	11026258				AS. CARC. MOTORID. C/CANALINO RYL G
14	263400				



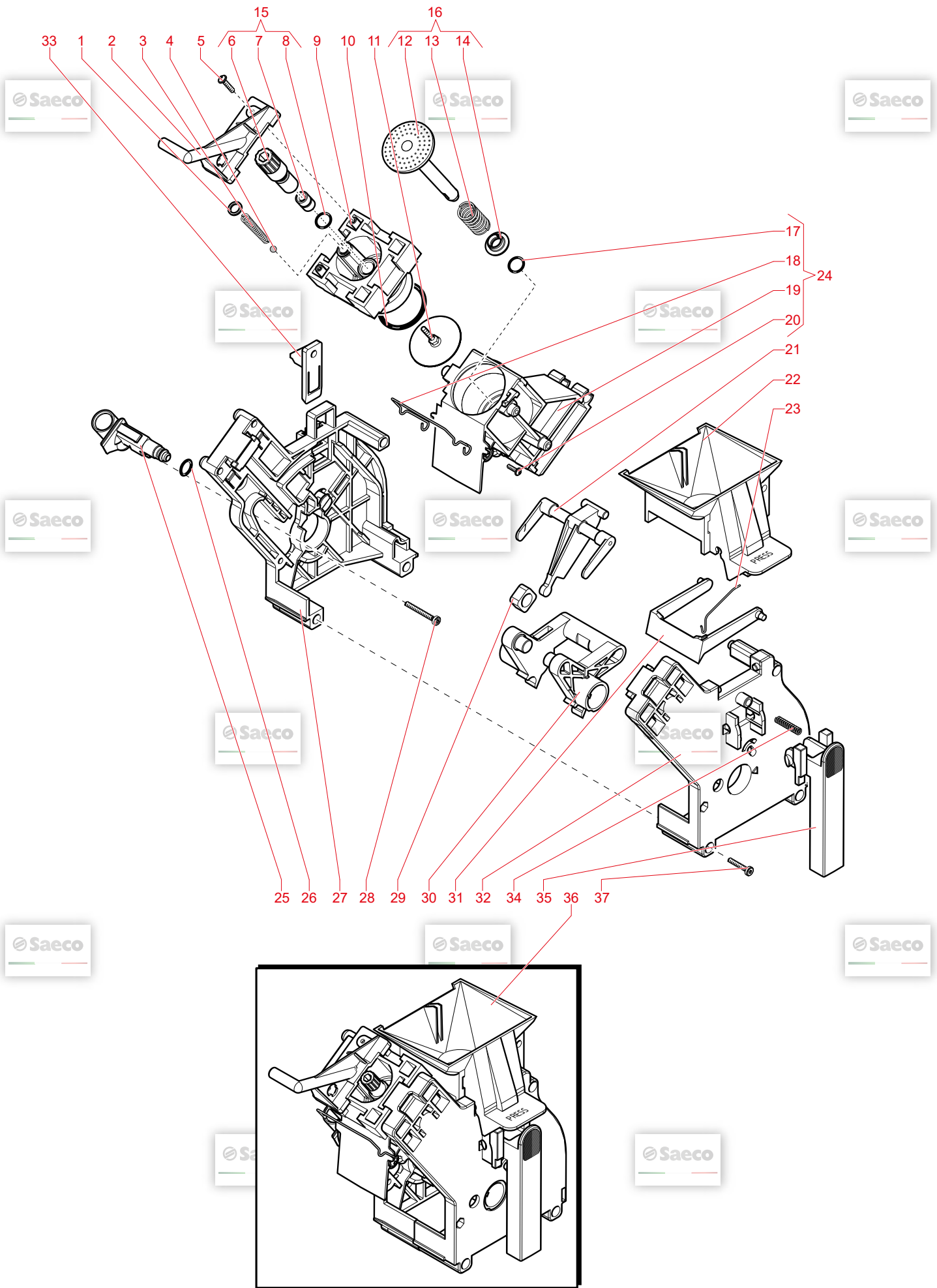
© by Saeco, a company of EVOCA Group - GAGGIO MONTANO

07

C0313X00

08/06/2020

New Royal Black



N.POSI COD	I - DESCRIZIONE	UK - DESCRIPTION	F - DESCRIPTION	D - BEZEICHNUNG	E - DESCRIPCION
1	11021334	GUARN.DE=11 DI=8 SP=1,4 X CONT	BLK COUNTERPISTON SEAL DE=11 DI=	GARNITURE CONTRE PISTON	GUARN.DE=11 DI=8 SP=1,4 X CONTRO
2	11003789	MANICOT.USCITA CAF.GRUP.ROYAL	BLACK COFF OUTLET SLEEVE BREW UN	RACCORD SORTIE CAFE ROYAL	MANICOT.USCITA CAF.GRUP.ROYAL NE
3	9161.222	MOLLA CONICA INOX	SS CONICAL SPRING	RESSORT SORTIE CONIQUE	MOLLA CONICA INOX
4	421944034451	SFERA D.5 MM IN BORO SILICATO	BOROSILICATE SPHERE D.5 MM	SPHERE D.5 MM	BOROSILICATE SPHERE D.5 MM
5	120021750	VITE TCB 3X16 TORX 10 PLAST.IN	SCREW TCB TORX 10 3X16 PLAST SS	SCREW TCB TORX 10 3X16 PLAST SS	VITE TCB 3X16 TORX 10 PLAST.INOX
6	147472850	PERINO X DOCCIA NERO	PIN BLACK FOR PERCOLATOR		
7	NF11.067	INS.PERNO BLOCCAG.DOCCIA OT.	BRASS INSERT FOR PERCOLATOR LOCK		
8	140324461	OR ORM 0060-20 TERMOIL	OR ORM 0060-20 TERMOIL	JOINT ORM 0060-20	OR ORM 0060-20 TERMOIL
9	11003796	CONTROPIST.GRUP.M5000 NER.	BLACK BREW UNIT COUNTERPISTON M5	CONTREPISTON GROUPE CAFE	CONTROPIST.GRUP.M5000 NER.
10	NM01.044	OR ORM 0320-40 SILICONE PTFE/FDA	OR ORM 0320-40 SILICONE PTFE/FDA	JOINT OR 0320-40 SILICONE	OR ORM 0320-40 SILICONE PTFE/FDA
11	9161.075	AS.DOCCIA DE=35.8 ELFO C/VITE	PERCOLATOR DE=35.8 ELFO ASSY.	GRILLE D 35.8	AS.DOCCIA DE=35.8 ELFO C/VITE E
12	11003077	AS.PIST.INTEGR.GRUP.8GR.NER.	BLK BREW UNIT INTEGRAL PISTON 8G	PISTON GROUPE CAFE P124 8GR	AS.PIST.INTEGR.GRUP.8GR.NER.
13	9161.198	MOLLA PIST.GRUP.8GR.INOX	SS 8GR BREW UNIT PISTON SPRING	RESSORT DU PISTON	MOLLA PIST.GRUP.8GR.INOX
14	9161.191	BOC.PIST.GRUP.8GR.-12GR.BIA.	WHITE 8GR-12GR BREW UNIT PISTON	RONDELLE DE BLOCAGE DU PISTON	BOC.PIST.GRUP.8GR.-12GR.BIA.
15	227470150	AS.PERNO X DOCCIA COMPLETEO NER	PIN BLACK ASS FOR PERCOLATOR	AXE DE GRILLE	AS.PERNO X DOCCIA COMPLETEO NER
16	11036010	AS.GEN.PISTONE INTEGR.GRUP.CAF	BRW 8GR BREW UNIT NTEGR.PISTON G	PISTON GROUPE CAFE 8GR	AS.GEN.PISTONE INTEGR.GRUP.CAF 8
17	NM02.018	OR ORM 0090-25 TERMOIL	OR ORM 0090-25 TERMOIL	JOINT ORM 0090-25 EPDM	OR ORM 0090-25 TERMOIL
18	11001556	MOLLA RASAT.H=49 GRUP.CAF.SMAR	SS BREW UNIT SPRING H=49 SMART	RESSORT RACLEUR	MOLLA RASAT.H=49 GRUP.CAF.SMART
19	4219444014611	AS.CONT.CAF.C/BOC.SALD.GRUP.V2	BLK COF.CONTAIN.BREW UNIT V2 M500	CHAMBRE GROUPE CAFE NOIR V2 M500	BLK COF.CONTAIN.BREW UNIT V2 M50
20	129912521	VITE TCBR 3.5X14 PLAST.INOX	SCREW TCBR TORX 10 3.5X14 PLAST.	VIS TCBR TORX 10 3.5X14 PLAST.SS	VITE TCBR 3.5X14 PLAST.INOX
21	11003078	BIELLA GRUP.8GR.NER.	BLACK CONNECTING ROD BREW UNIT 8	BIELLE NOIRE	BIELLA GRUP.8GR.NER.
22	11003795	TRAMOG.GRUP.M5000 NER.SER.PRES	SS SCRAPER SPRING FOR BREW UNIT	RESSORT D'ARRASAGE	TRAMOG.GRUP.M5000 NER.SER.PRESS
23	9161.046	MOLLA RASATORE GRUP.INOX	SS SCRAPER SPRING FOR BREW UNIT		MOLLA RASATORE GRUP.INOX
24	11004570	AS.CONT.CAF.GRUP.8G.P124 NER.	BLACK BREW UNIT COFFEE CONT.P124		AS.CONT.CAF.GRUP.8G.P124 NER.
25	9161.064.050	MANICOT.ENTRATA ACQ.GRUP.ROYAL	BLACK WATER INLET SLEEVE BREW UN	PIPETTE ENTREE D'EAU	MANICOT.ENTRATA ACQ.GRUP.ROYAL N
26	NM02.007	OR 2025 TERMOIL	OR 2025 IN TERMOIL	JOINT 2025 TERMOIL	OR 2025 TERMOIL
27	421941158532	PIAS.POS.V2 GRUP.M5000 NER.	BLACK BREW UNIT REAR PLATE V2 M5	PLAQUE ARRIERE GROUPE CAFE	BLACK BREW UNIT REAR PLATE V2 M5
28	12000550	VITE TCB 3X25 PLAST.INOX	SCREW TCB TORX 10 3X25 PLAST.SS	VIS TCB TORX 3x25 Plast.Ss	SCREW TCB TORX 10 3X25 PLAST.SS
29	9161.094.050	BLOC.FORATO GRUP.PANNER.	BLACK BREW UNIT DRILLED BLOCK	ENTRETOISE NOIRE	BLOC.FORATO GRUP.PANNER.
30	9161.066.050	ALBERO A GOMITO GRUP.M5000 NER	BLACK BREW UNIT ELBOW SHAFT M500	ARBRE DU GROUPE	ALBERO A GOMITO GRUP.M5000 NER.
31	11004161	RASATORE GRUP.M5000 NER.	BLACK SCRAPER FOR BREW UNIT M500	RACLEUR GROUPE	RASATORE GRUP.M5000 NER.
32	11003793	PIAS.ANT.GRUP.M5000 NER.	BLACK BREW UNIT FRONT PLATE M500	PLAQUE ANT. GROUPE M5000 NOIR	PIAS.ANT.GRUP.M5000 NER.
33	11004114	PIAS.AGGANC.GRUP.NER.	BLACK BREW UNIT COUPLING PLATE	PLAQUE FIXATION DU GROUPE	PIAS.AGGANC.GRUP.NER.
34	9161.075	MOLLA IMPUGNAT.GRUP.M5000	SS BREW UNIT HANDGRIP SPRING M50	RESSORT POIGNEE DE GROUPE	MOLLA IMPUGNAT.GRUP.M5000
35	11003791	IMPUGN.GRUP.M5000 NER.	BLACK BREW UNIT HANDGRIP M5000	POIGNEE DU GROUPE	IMPUGN.GRUP.M5000 NER.
36	11003800	GRUPPO CAFE' NERO	BLACK BREW UNIT	GROUPE CAFE	GRUPPO CAFE' NERO
37	12000897	VITE TCB TORX 3.5X20 PLAST.INO	SCREW TCB TORX 10 3.5X20 PLAST.S	VIS TCB TORX 10 3.5x20 Plast.Ss	SCREW TCB TORX 10 3.5X20 PLAST.S



Il Costruttore si riserva il diritto di modificare, senza preavviso, le caratteristiche delle apparecchiature presentate in questa pubblicazione; declina inoltre ogni responsabilità per le eventuali inesattezze imputabili ad errori di stampa e/o trascrizione contenute nella stessa.

Le istruzioni, i disegni, le tabelle e le informazioni in genere contenute nel presente fascicolo sono di natura riservata e non possono essere riprodotte ne completamente ne parzialmente od essere comunicate a terzi senza l'autorizzazione scritta del Costruttore che ne ha la proprietà esclusiva.

The manufacturer reserves the right to modify, without prior notice, the characteristics of the equipment described in this publication; and further declines to accept any responsibility for any inaccuracies contained in this publication which can be ascribed to printing and/or transcription errors.

All instructions, drawings, tables and information contained in this publication are confidential and can neither be reproduced, completely or in part, nor be transmitted to third parties without the written permit of the Manufacturer, who has the sole ownership.

Le fabricant se réserve le droit de modifier, sans préavis, les caractéristiques des appareils présentes dans cette publication; en outre, elle decline toute responsabilité pour d'éventuelles inexactitudes imputables à des erreurs d'impression et/ou de transcription.

Tous droits de reproduction, complète ou partielle, des instructions, des dessins, des tableaux et de toutes les informations contenues dans cette publication sont réservés. Aucune communication à un tiers ne peut être faite sans une autorisation par écrit du Constructeur qui en a la propriété exclusive.

Der Hersteller behält sich das Recht vor, die Eigenschaften der hier beschriebenen Geräte ohne Voranzeige zu ändern und lehnt gleichzeitig jede Verantwortung für mögliche Unrichtigkeiten ab, die auf Druckfehler oder Abschreibfehler zurückzuführen sind.

Alle Anweisungen, Zeichnungen, Tabellen und Informationen, die im allgemeinen im vorliegenden Band enthalten sind, müssen als vertraulich betrachtet werden und können weder teilweise noch vollständig reproduziert bzw an Dritte ohne die schriftliche Ermächtigung des Herstellers weitergegeben werden, der das Alleineigentum besitzt.

El Constructor se reserva el derecho de modificar, sin previo aviso, las características de los aparatos presentados en esta publicación; además declina toda responsabilidad por los eventuales inexactitudes imputables a errores de imprenta y/o transcripción contenidos en la misma.

Las introducciones, los dibujos, las tablas y las informaciones en general contenidos en este fascículo son de tipo reservado y no se pueden reproducir, completamente o en parte, ni comunicar a terceros si la autorización escrita del Fabricante, el cual tiene la propiedad exclusiva.

